

STEMCO®

WHEEL END PRODUCTS

PART NUMBER 574-0140 REV. 6/12



A Higher Standard of Performance.™



STEMCO® Hub Seal Selection

STEMCO® has provided the trucking industry with reliable hub seals for more than 40 years. Throughout our history, we have recognized the need for tougher, longer life seals that meet the performance, design and price requirements related to selecting the right seal for any fleet. To meet that need, STEMCO has engineered a menu of sealing options designed to meet the varying performance expectations of each fleet, all in an effort to maximize performance and value.

Discover®

**HIGH PERFORMANCE
LONG LIFE**

Discover® is designed for the long haul carrier seeking high performance components. The Discover® Seal is an excellent choice for fleets running outboard-mounted drums that allow brake changes without seal replacement. The long life characteristics of this seal, proven in testing that exceeds competitive products' performance by five times, make it the industry choice for performance driven fleet managers.



Voyager®

**BRAKE JOB
- TO -
BRAKE JOB DURABLE**

The Voyager® Seal is designed for regional route trucks, city delivery and coach applications. Rugged design, simple installation and proven performance make Voyager® the right choice for fleets looking for a superior brake job-to-brake job seal. In the everyday stop-and-go traffic environment these vehicles experience, the Voyager® Seal is the best value.



Endeavor®

**HIGH PERFORMANCE
FOR PRESET
WHEEL ENDS**

Endeavor® is a hub installed unitized seal and features a high temperature elastomeric co-polymer sealing element for increase performance. An "active" contaminate exclusion system protects the sealing element to provide unmatched performance to lengthen the life of the seal. Endeavor® seal is approved for ConMet PreSet® wheel ends.



Guardian® HP

**AMERICAN TRAILER
STANDARD
LONG LIFE**

The Guardian® HP is the standard seal for trailer and axle original equipment manufacturers. The axle installation is durable and unique, and has proven successful for more than 25 years. Today, its enhanced features offer improved cost-per-mile performance. With simple one-step axle installation, Guardian® HP is the seal of choice in the trailer industry.



GRITGUARD®

RUGGED & DURABLE

Always rough and ready, Grit Guard® has endured more than forty years of dirty, unfriendly road environments that destroy wheel end components. So with this forty year plus track record of performance, Grit Guard® endures where others fail, and is still the choice for fleets working in grueling environments.



Table of Contents

Description	Page	Description	Page
Table of Contents	1	Component Specifications Section (cont.)	
VMRS Codes	2	DataTrac® PRO	89 – 90
Endeavor® Hub Seal	3	Hubodometer® Brochure	91 – 92
Application Chart	4 – 5	Hubodometer® Specifications (650-Series)	93
Axle Application Graphics	6	Moisture Ejector Brochure	94 – 95
Quick Reference Section		Pro-Torq® Section	97 – 104
Guardian® to Standard/Grit Guard®	7	Long-Life Wheel End Systems	105 – 106
Guardian® Hub-Seal Components	7	STEMCO Duroline Brake Products	107 – 110
Standard & Grit Guard®		Engineering Changes Section	111 – 129
Hub-Seal To Set	8 – 10	Cross Reference Section	131 – 176
Heavy Duty Bearings	11 – 12	Wheel Bearing Adjustment Guide	177
Axle Ring to Hub-Seal Set	13	Pro Torq Installation	178-179
Bearings to Hub-Seal Set	14 – 15	Guardian® Installation Instructions	180
Seal Sets Section		Standard / Grit Guard® Seal Installation Instructions	181
Trailer, Tag and Pusher Axle	16 – 25	Voyager® / Discover® Hub-Seal Installation Instructions	182
Front Axle	26 – 43	Unitized Pinion Seal Installation Instructions	183
Drive Axle	44 – 56	Bearing Removal and Installation	184
Unitized Pinion Seal Brochure	57 – 58	Datatrac Pro® Installation Instructions	185
Pinion Seal Specifications (460-Series)	59	Automatic Brake Adjuster Installation Instructions	186 – 187
Installation Tools Section		Warranty	Inside Back Cover
Universal Axle Tool Brochure	60		
Universal Axle Tools (555-Series)	61 – 63		
Fleet Hub Tools (551-Series)	64 – 65		
Heavy Duty Axle Tools (552-Series)	66 – 68		
Component Specifications Section			
Axle Ring Specifications	69 – 70		
Grit Guard® Deflector Ring Specifications	71		
Oil Seal Specifications	72 – 74		
Sentinel® Hub Cap Brochure	75 – 76		
Hub Cap Specifications	77 – 87		
Flange Gasket Specifications	88		

All rights reserved. No part of this catalog may be reproduced in any form or by any means without permission in writing from STEMCO.

© 2012 by STEMCO LP, Longview, Texas

STEMCO

300 INDUSTRIAL BLVD. (ZIP 75602-4720)

P.O. BOX 1989, LONGVIEW, TEXAS 75606-1989

(903) 758-9981 • FAX (903) 232-3508 • INTERNET <http://www.stemco.com>

VMRS Codes

Product Description		ATA/VMRS Code*	STEMCO Part No. Series
Axle Rings	Drive	18-002-014 (STMCO)	310-1000 Series
	Dead	18-001-015 (STMCO)	
Bearing Spacers		18-001-013 (STMCO)	357-5700 Series
Gaskets		18-003-017 (STMCO)	330-3000 Series
Grit Guard® Deflector Rings	Drive	18-002-014 (STMCO)	315-1500 Series
	Dead	18-001-015 (STMCO)	
Hub Caps		18-003-003 (STMCO)	300-, 303-, 340-, 342-, 343-, 348-, 349-, 350-, 352-, 353-, 356, & 358-0000- Series
Hubodometers		51-002-002 (STMCO)	650-0000 Series
Hubodometer Brackets		51-002-002 (STMCO)	610-0000 Series
Hubodometer Hub Caps		51-002-004 (STMCO)	640-0000 Series
Locating Rings		18-001-013 (STMCO)	356-5600 Series
Miscellaneous Components (including Hub Cap Parts)		None	359-5900 Series
O-Rings		18-003-015 (STMCO)	355-5500 Series
Oil Seals (Standard)	Drive	18-002-005 (STMCO)	320-2000 Series
	Dead	18-001-004 (STMCO)	
Oil Seal Sets:	Drive Axle	18-002-028 (STMCO)	392-9000 Series
			309-0900, 391- & 393-0000 Series
	Front Axle	18-001-026 (STMCO)	382-8000 Series
			308-0800 & 383-0000 Series
Trailer, Tag or Pusher Axle	18-004-001 (STMCO)	372-7000 Series	
		307-0700 & 373-0000 Series	
Pro-Torq®	Drive Axle	012-001-005	449-4900 Series
	Trailer, Tag, or Front Axle	012-002-005	447-4700 Series
Pinion Seals		24-002-017 (STMCO)	429-0000 & 460-0000 Series
Shoulder Bushings		18-001-013 (STMCO)	364-6400 Series
Tools:	Fleet Hub Tools	None	551-5300 Series
	Heavy Duty Axle Tools	None	552-5200 Series
	Universal Tool Body & Accessories	None	555-0000 Series
	Universal Tool Heads	None	555-5000 Series

* American Trucking Association/Vehicle Maintenance Reporting Standards

HUB INSTALLED

UNITIZED DESIGN

Endeavor®



Increase the Performance Expectations of Wheel Ends

The Endeavor® seal features a high temperature elastomeric co-polymer sealing element. The revolutionary design incorporates hydrodynamic “pumping” features to keep the lubricant where it is intended to be.

Maintain the Lubricant’s Integrity to Lengthen the Life of the Seal

The premium sealing element is protected by a four-zone labyrinth to provide unmatched contaminant exclusion and performance.

Have Complete Confidence During the Installation Stage

Endeavor® seal’s piloted entry allows an easy and square installation every time. The ridged steel case is the impact point for the tool head to maintain the internal geometries.

Reduce Removal Time and Effort Without Special Tools or Adjacent Component Damage

The Endeavor® seal consists of a bonded, ribbed rubber OD and ID for easier removals, yet STEMCO’s patented “SMART” anti-rotation features insure positive positioning and locking of the seal to the spindle.

ConMet PreSet Hub for Trailer Applications

STEMCO Endeavor® is Standard in ConMet PreSet Hubs. Coverage is available for popular FF and R series (tractor) and TN and TP (trailer) applications.



STEMCO®

A Higher Standard of Performance.™
an EnPro Industries company

Application Chart

Application	Guardian® Guardian®HP	Grit Guard® Standard	Voyager®	Discover®	Endeavor®
19,000# Trailer Axle Standard Forge, Dana, Meritor, Eaton	307-0713 ☐	372-7098	373-0113	373-0213	
Pro-Par Trailer Axle, Fruehauf, Eaton P-22, Meritor TP, Dana	307-0723 ☐	372-7099	373-0123	373-0223	373-0323
22,500# Trailer Axle, Meritor, Standard Forge, Dana, Eaton	307-0743 ☐	372-7097	373-0143	373-0243	373-0343
20,000# Trailer Axle, Meritor, Shuler	307-0744	372-7095	373-0144	N/A	
12,000#, 14,600# Meritor Front Transit	N/A	382-8001	383-0101	N/A	
Meritor Center Point	N/A	382-8028	N/A	N/A	
GMC F-120 to 1985	N/A	382-8034	N/A	N/A	
12,000# Front Axle, Meritor, Eaton, Ford, Freightliner, Kenworth, Western Star, Navistar, Peterbilt, Volvo GM	308-0836 ☐	382-8036	383-0136	383-0236	383-0336
12,000# Mack Front Axle	N/A	382-8039	383-0139 ☒	383-0239 ☒	
Navistar Front Axle, FA 309, FA 329	308-0853	382-8053	383-0153	N/A	
9,000# Front Axle, Navistar, FA 109 Cast Wheel '79 and up	308-0855	382-8056	383-0156	N/A	
12,000# Front Axle, Navistar	308-0856	382-8056	383-0156	N/A	
7,000#, 9,000# Front Axle, Ford	308-0863	382-8063	N/A	N/A	
16,000# Front Axle, Ford, Navistar, Mack, Meritor, White, Kenworth, Western Star, Peterbilt, Volvo GM	308-0864 ☐	382-8064	383-0164	383-0264	
6,000#, 7,500# Front Axle, Navistar	308-0866	382-8066	383-0166	N/A	
Volvo FA 7.5 Front Axle	308-0870	N/A	N/A	N/A	
GMC F-120 1985 and up	N/A	382-8071	383-0171	N/A	
8,000# GMC Front-Top Kick	N/A	N/A	383-0175	N/A	
11,000# GMC Front-Top Kick	N/A	N/A	383-0176	N/A	
34,000# Drive Axle, Mack	309-0903 ☐	392-9094	393-0103	393-0203	
44,000# Drive Axle, Mack	309-0904 ☐	392-9112	393-0104	393-0204	
		392-9130	393-0104	393-0204	
34,000# Drive Axle, Eaton, Ford, Navistar, White	309-0912 ☒	392-9099	393-0112	393-0212	
17,000# Single and 34,000# Tandem, GMC	309-0915 ☐	Refer to above 392-9099 set	393-0115	N/A	
Meritor Drive-Transit	N/A	392-9034	393-0134	N/A	
15,000# Drive Axle, Ford, Meritor F-Series	309-0935	392-9035	N/A	N/A	
Mack Drive Axle 50,000# and 60,000#	309-0948	392-9089	393-0148	N/A	
GMC H/T 150 and H/T 175 Ford, Meritor H 170, 172, 175	309-0957	392-9057	N/A	N/A	
38,000# Drive Axle, Mack, GMC, Eaton, Meritor	309-0960	392-9132 ☐	N/A	N/A	
34,000# Drive Axle, Meritor	309-0961	392-9095	N/A	N/A	
19,000# Drive Axle, Eaton, Navistar, Ford, GMC, White	309-0964	392-9088	N/A	N/A	
Van Hool Bus	391-9066 ☐	392-9066	N/A	N/A	
38,000#, 40,000# and 42,000# Tandem Drive Axles, Ford, Eaton, GMC, Mack, Navistar, White	309-0965	392-9092 ☐ 392-9096	N/A	N/A	
38,000# Drive Axle, Eaton, Meritor, White	309-0970	392-9087	N/A	N/A	
38,000#, 46,000# Tandem Axles, Eaton, Ford, Freightliner, Kenworth, Western Star, Peterbilt, Meritor, Navistar, Volvo GM	309-0973 ☐	392-9131 ☐	393-0173	393-0273	393-0373

☐ SS4 Seal

☒ Use 555 Series Tool Heads with Universal Tool Body 555-0001. The Axle Tool Heads Install the Standard/Grit Guard® Rings and Guardian®/SS4 Seals.

Shaded numbers indicate obsolete parts.

Application Chart

	GG/Standard Components Seal/Ring	Inner Bearing	Universal Axle Tool Heads 2	Universal Hub Tool Heads 3	Bearing Guide
	2109/1507	663	555-5100	551-5313	570-0023
	2023/1503	HM518445	555-5023	551-5401	570-0025
	2110/1504	HM218248	555-5039	551-5412	570-0026
	2118/1510	665A	555-5069	551-5339 19	570-0024
	2086/1013	6386 or 6389, 6379	555-5060 or 555-5014	551-5420 19	570-0020 21
	2028/1028	756A	555-5067	551-5385	N/A
	2034/1034	HM212047	555-5066	551-5387	570-0019
	2036/1036	39581 HM212044 HM212049, -X, X1 HM212047	555-5062 555-5061 555-5098 555-5066	551-5346 551-5346 551-5346 551-5346	570-0017 570-0018 570-0020 570-0019
	2039/1038	641 or HM212049	NONE REQ'D	551-5413 19	570-0020
	2181/1093	641 or HM212049 H715345	555-5060 555-5070	551-5419 551-5419 15	570-0020 570-0021
	2199/1093	641	555-5060	551-5344	570-0020
	2199/1093	H715345	555-5070	551-5344	570-0021
	2133/1036 45284	39581 555-5064	555-5062 551-5353	551-5353 N/A	570-0017
	2137/1037	6461A	555-5007	551-5327	570-0022
	2164/1008	JM207049 JM205149	555-5088 555-5089	551-5423 551-5423 18	570-0036 570-0033
	N/A	JF7049A	555-5297	N/A	N/A
	2216/1034	HM212047	555-5066	551-5403	570-0019
	N/A	JM205149	N/A	551-5417	570-0033
	N/A	33212	N/A	551-5418	570-0031
	2129/1511	580 or 582	555-5072	551-5415 11	570-0023
	2213/1515	663 or HM516449, -C	555-5072	551-5414 12	570-0023
	2213/1519	HM516449A	555-5073	551-5414 12	570-0023
	2102/1501	47685 or 47686 47678 or 5760	555-5031 555-5074	551-5416 16 551-5416 16	570-0023 570-0022
	—	47686	555-5031	551-5424	570-0023
	2061/1066	6580 or 6559	555-5023 or 555-5072	551-5421 17	570-0025 or 570-0023
	2057/1062	33287	555-5011	551-5353	N/A
	2097/1516	687 or 780	555-5004	551-5400	570-0032
	2104/1018	495AX 33287	555-5074 555-5011	551-5383 551-5383	N/A N/A
	2115/1530	598A 594A	555-5071 555-5076	551-5356 551-5356	570-0027 570-0028
	2117/1509	580, 582 or 663A	555-5072	551-5325	N/A
	2113/1517	594 or 594A	555-5076	551-5412	570-0028
	2115/1107	594A	555-5076	551-5356	570-0028
	2131/1508	598	555-5071	551-5363	570-0027
	2114/1508	595 598	555-5072 555-5071	551-5412 551-5412	570-0023 570-0027
	2162/1502	683XA or 683 681A	555-5076 555-5071	551-5333 551-5333	570-0028 570-0027
	2106/1525	594 or 594A 598 or 598A	555-5076 555-5071	551-5320 551-5320	570-0028 570-0027

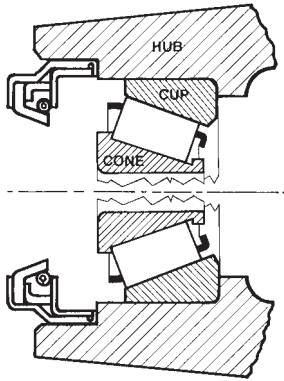
1 Use 551 Series Tool Heads with new Universal Tool Handle **551-0001**. The Hub Tool installs the Standard Seal, Voyager® and Discover® Seals.
2 Use with 5.687" Bore Only.

3 Use with 5.500" Bore Only.
4 Does not fit Mack Applications.
5 Fits Mack Application Only.
6 Use with Wabco ABS.
7 HP Design

11 Use 551-5395 for 320-2039 seal.
11 Use 551-5393 for 320-2129 seal.
12 Use 551-5364 for 320-2213 seal.
13 383-8139 includes 310-1132.
14 383-8239 includes 310-1132.
15 Use 551-5349 for 320-2181 seal.

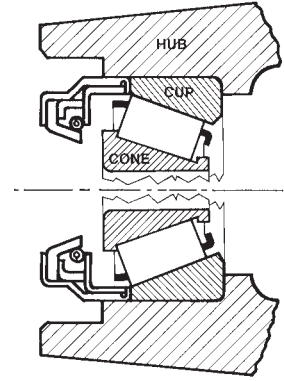
16 Use 551-5318 for 320-2102 seal.
17 Use 551-5356 for 320-2061 seal.
18 Use 551-5366 for 320-2164 seal.
19 Use 551-5311 for 320-2086 seal.
20 Use 551-5321 for 320-2118 seal.
21 Does not fit 6379.

Axle Application Graphics

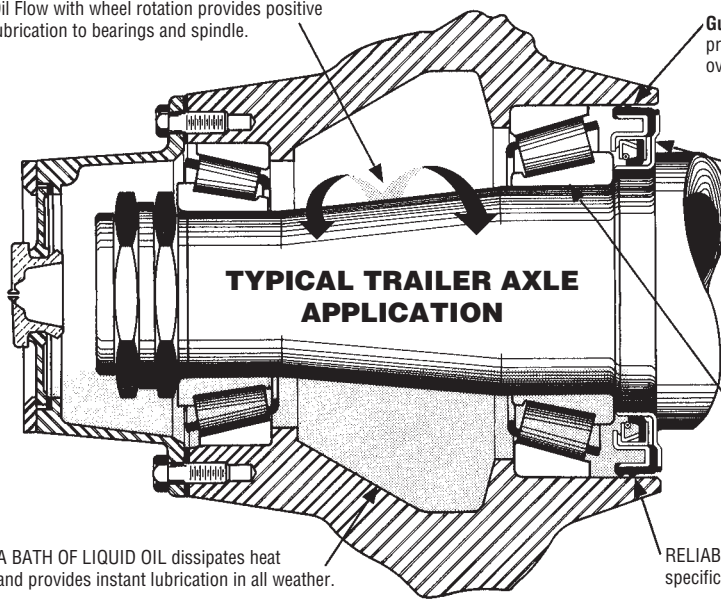


NOTICE

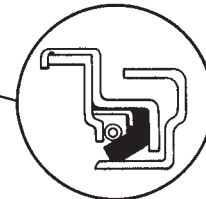
Some STEMCO hub seals are not designed to fit into the seal bore of the hub as the one shown at the left, but are properly sized to fit into the same bore as the bearing cup, as shown on the right. Always refer to the instructions packaged with the seal.



Oil Flow with wheel rotation provides positive lubrication to bearings and spindle.



Guardian® Seal bonded rubber O.D. provides positive seal in bore – overcomes minor bore imperfections.



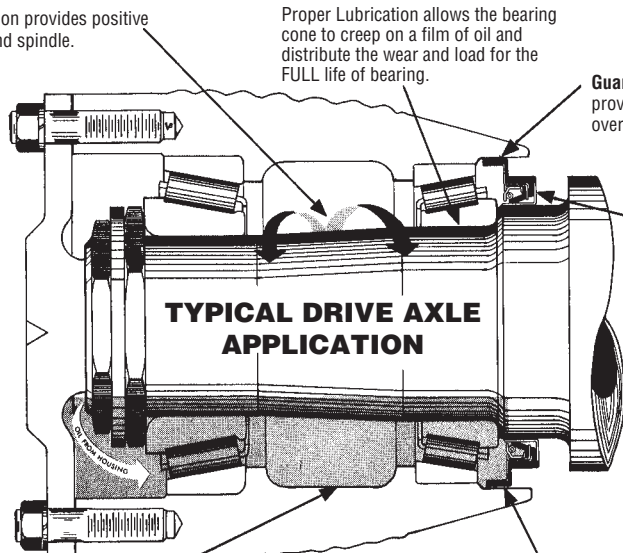
Corresponding Grit Guard® Set with Deflector Ring

Proper Lubrication allows the bearing cone to creep on a film of oil and distribute the wear and load for the FULL life of bearing.

A BATH OF LIQUID OIL dissipates heat and provides instant lubrication in all weather.

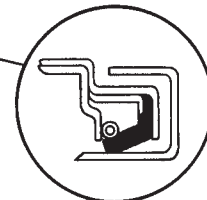
RELIABILITY — STEMCO Hub-Seals are designed specifically for wheel application with any type oil.

Oil Flow with wheel rotation provides positive lubrication to bearings and spindle.



Proper Lubrication allows the bearing cone to creep on a film of oil and distribute the wear and load for the FULL life of bearing.

Guardian® Seal bonded rubber O.D. provides positive seal in bore – overcomes minor bore imperfections.



Corresponding Grit Guard® Set with Deflector Ring

A BATH OF LIQUID OIL dissipates heat and provides instant lubrication in all weather.

RELIABILITY — STEMCO Hub-Seals are designed specifically for wheel application with any type oil.

Guardian®/Guardian® HP to Standard/Grit Guard® and Voyager®/Discover® Hub-Seal Cross Reference

Guardian® / Guardian® HP Seal No.	Inner Bearing Cone	Universal Tool Head	Standard/ Grit Guard® Set	Voyager® Discover®	Guardian® / Guardian® HP Seal No.	Inner Bearing Cone	Universal Tool Head	Standard/ Grit Guard® Set	Voyager® Discover®
*307-0713	663	555-5100	372-7098	373-0113 373-0213	309-0912	47685 47686	555-5031	392-9099	393-0112 393-0212
*307-0723	HM518445	555-5023	372-7099	373-0123 373-0223		47678 5760	555-5074		
*307-0743	HM218248	555-5039	372-7097	373-0143 373-0243	309-0915	47685 47686	555-5031	392-9099	N/A
307-0744	665A	555-5069	372-7095	373-0144	309-0935	33281 Thru 61	555-5002	392-9035	N/A
*308-0836	39581	555-5062	382-8036	383-0136		33287 62 Up	555-5011		
	HM212044, 557A	555-5061		383-0236	309-0948	687 780	555-5004	392-9089	393-0148
	HM212049, -X	555-5098			309-0957	495AX	555-5074	392-9057	N/A
	HM212047	555-5066				33287	555-5011		
308-0853	641	555-5060	382-8053	383-0153	309-0960	594A 598A	555-5076 555-5071	392-9132	N/A
	HM212049				309-0961	580 582	555-5072	392-9095	N/A
	H715345	555-5070	N/A	N/A		663A	555-5071		
308-0855	641	555-5060	N/A	N/A	309-0964	594 594A	555-5076	392-9088	N/A
308-0856	H715345	555-5070	382-8056	383-0156		595 598	555-5072 555-5071		
308-0863	39581	555-5062	382-8063	N/A	309-0970	683XA 683	555-5076	392-9087	N/A
	45284	555-5064			*309-0973	681A	555-5071	392-9131	393-0173 393-0273
*308-0864	6461A	555-5007	382-8064	383-0164 383-0264		594 594A	555-5076		
308-0866	JM207049	555-5088	382-8066	383-0166	598 598A	555-5071			
	JM205149	555-5089							
308-0870	JF7049A	555-5297	N/A	N/A					
*309-0903	580	555-5072	392-9094	393-0103 393-0203					
	582								
*309-0904	663	555-5072	392-9112	393-0104 393-0204					
	HM516449,-C								

*Guardian® HP

Use Universal Tool Body 555-0001 with 555 Series Tool Heads.

Guardian® /Guardian® HP Hub-Seal Components

Oil Seal □	Deflector Ring □	Guardian®/ Guardian® HP Seal	Oil Seal □	Deflector Ring □	Guardian®/ Guardian® HP Seal
327-2701	317-1743	*307-0743	327-2713	317-1713	309-0965
327-2702	317-1702	*308-0836	327-2715	317-1756	309-0915
327-2703	317-1703	*309-0973	327-2716	317-1761	309-0970
327-2704	317-1704	*307-0713	327-2717	317-1761	309-0960
327-2705	317-1705	*307-0723	327-2718	317-1720	*309-0904
327-2706	317-1729	*309-0903	327-2719	317-1719	309-0961
327-2707	317-1707	309-0912	327-2721	317-1721	308-0863
327-2708	317-1708	308-0853	327-2724	317-1724	309-0957
327-2709	317-1709	307-0744	327-2727	317-1726	308-0866
327-2710	317-1710	308-0855	327-2728	317-1728	309-0935
	317-1706	308-0856	327-2741	317-1790	309-0948
327-2711	317-1711	*308-0864	327-2757	317-1724	308-0870
327-2712	317-1712	309-0964			

□ 327-Series Oil Seals and 317-Series Deflector Rings are component parts for the Guardian® Hub Seal.

These parts are not sold separately.

*Guardian® HP

Shaded numbers indicate obsolete parts.

Standard and Grit Guard® Hub-Seal to Set Cross Reference

Quick Reference

Oil Seal	Axle Ring	Hub-Seal Set	Inner Bearing #	Universal Tool Head	Hub Tool	Comment
320-2001	310-1095	392-9001	758	555-5069	551-5398	
			760	555-5079	551-5398	
	310-1103	392-9062	760	555-5079	551-5398	
	For trailer applications, use 310-1045 (set was 370-7019).					
320-2009	310-1028	392-9019	598	555-5071	551-5356	
	310-1079	392-9081	598A	555-5071	551-5356	
320-2012	310-1012	392-9012	47678	555-5074	551-5405	
			47686	555-5031	551-5405	See Set Remarks
			5760	555-5074	551-5405	
320-2017	310-1017	382-8017	39581	555-5062	551-5352	Ⓜ
320-2018	310-1008	372-7046	28995	555-5052	551-5351	
	310-1008	382-8018	45284	555-5064	551-5351	
320-2022	310-1050	382-8010	4595 or 39578	None	551-5381	
320-2023	310-1022	372-7022	593	None	551-5401	I Beam Axle Model 5
	310-1023	372-7023	593 & HM518445	555-5023	551-5401	Pro-Par
	310-1041	382-8060	5760 or 6461	None	551-5401	
	310-1130	372-7062	592A or 593	555-5023	551-5401	Modified No. 5 Ⓜ
	315-1503	372-7099	HM518445	555-5023	551-5401	Grit Guard® for Pro-Par only
320-2028	310-1028	382-8028	756A	555-5067	551-5385	
320-2029	310-1018	372-7018	495AX	555-5074	551-5386	
	310-1018	392-9018	495AX	555-5074	551-5386	Ford thru 1969-70 Up use 392-9057 Ⓜ
320-2031	310-1036	382-8025	557A OR HM212044	555-5061	551-5388	
	310-1051	382-8011	559 or 3982	None	551-5388	
320-2032	310-1032	382-8032	HM212049	None	551-5388	
	310-1036	372-7009	39250	555-5066	551-5388	
320-2034	310-1034	382-8034	HM212047	555-5066	551-5387	Ⓜ
320-2036	310-1036	382-8036	39581	555-5062	551-5346	
			557A or HM212044	555-5061	551-5346	
			HM212047	555-5066	551-5346	
			HM212049	555-5098	551-5346	
			HM212049X	555-5098	551-5346	
320-2039	310-1038	382-8039	641 or HM212049	None	551-5395 551-5413 Ⓜ	Replaced by Voyager® Seal 383-8139 Ⓜ
320-2041	310-1028	382-8045	756A	555-5067	551-5398	
	310-1043	372-7015	759	555-5023	551-5398	C&M K-30 Std. Forge TA-26, A-26-S
320-2046	310-1036	372-7006	567	555-5011	551-5388	
320-2050	310-1052	382-8009	45284 or 45285	555-5036	551-5347	Ⓜ
320-2051	310-1047	372-7008	560S	555-5038	551-5388	
320-2056	310-1061	382-8005	3778	555-5001	551-5302	Ⓜ
320-2057	310-1062	392-9035	33287	555-5011	551-5353	Ⓜ
	310-1063	392-9036	33281	555-5002	551-5353	Ⓜ
320-2058	310-1093	392-9033	663, 749A or 6559	555-5072	551-5303	Gaskets Must be Ordered Separately
320-2059	See Catalog 392-9053 and/or 392-9089 Remarks.					

Ⓜ Oil seal installs in bearing cup bore. Ⓜ Oil seal installs in bearing cup bore on steel hubs. On spoke wheels use seal bore. Ⓜ Voyager® Seal tool.

Shaded numbers indicate obsolete part numbers, refer to Engineering Changes for more information.

Standard and Grit Guard® Hub Seal to Set Cross Reference

Oil Seal	Axle Ring	Hub-Seal Set	Inner Bearing #	Universal Tool Head	Hub Tool	Comment
320-2061	310-1066	392-9034	6580	555-5023	551-5356	Gasket sold Separately
			6559	555-5072	551-5356	
320-2072	310-1064	372-7048	3984	555-5097	551-5308	■
	310-1064	392-9038	3984	555-5097	551-5308	
320-2077	310-1104	392-9063	188931	555-5054	551-5362	
			387AS or 7451929	555-5062	551-5362	
320-2086	310-1013	382-8001	6386 or 6389	555-5060	551-5311	
			6379	555-5014	551-5311	
320-2091	SEE COMMENTS W/392-9045 SET	392-9045	33287	555-5011	551-5312	
			33281	555-5002	551-5312	
			495AX	555-5074	551-5312	
			47686	555-5031	551-5312	
320-2096	310-1007	392-9007	663 or HM516449	555-5072	551-5390	Cast housings use 392-9004
320-2097	315-1516	392-9089	687 or 780	555-5004	551-5400	Grit Guard®
320-2099	310-1089	392-9053	782	555-5016	551-5317	See Set Remarks
320-2102	315-1501	392-9099	47685 or 47686	555-5031	551-5318	Grit Guard® ■
			47678	555-5074	551-5318	
320-2104	310-1018	392-9057	495AX	555-5074	551-5383	Ford 1970 Up Thru 1969 use 392-9018
320-2105	310-1008	382-8044	45284	555-5064	551-5351	
320-2106	315-1525	392-9131	598 or 598A	555-5071	551-5320	Grit Guard® Used with or without Wabco ABS
			594 or 594A	555-5076	551-5320	
320-2109	310-1053	392-9032	580	555-5072	551-5313	
			575	555-5074	551-5313	
			663	555-5031	551-5313	
	310-1057	372-7003	663	555-5031	551-5313	KB-5, KB-6 T-18-W only
	315-1507	372-7098	663	555-5100	551-5313	Grit Guard®
320-2110	315-1504	372-7097	HM218248	555-5039	551-5412	Grit Guard®
320-2111	315-1506	372-7096	787	555-5016	551-5323	Grit Guard®
320-2113	315-1517	392-9088	594 or 594A	555-5076	551-5412	Grit Guard® ■
320-2114	315-1508	392-9096	595	555-5072	551-5412	Grit Guard® ■
			598	555-5071	551-5412	
320-2115	310-1113	392-9020	665	555-5068	551-5356	■
	310-1107	392-9066	592A/594A	555-5076	551-5356	Van Hool Bus Appl ■
	315-1530	392-9132	592A/594A	555-5076	551-5356	Used with or without Wabco ABS
			592A/598A	555-5071	551-5356	
320-2117	315-1509	392-9095	582 or 663A	555-5072	551-5325	Grit Guard®
320-2118	315-1510	372-7095	665A	555-5069	551-5321	Grit Guard®
320-2119	310-1036	382-8027	39581	555-5062	551-5353	
320-2125	310-1051	382-8062	39585	None	551-5388	■
320-2129	315-1511	392-9094	580 or 582	555-5072	551-5393	Grit Guard®
320-2131	315-1508	392-9092	598	555-5071	551-5363	Grit Guard®

■ Oil seal installs in bearing cup bore.

(Continued Next Page)

Shaded numbers indicate obsolete part numbers, refer to Engineering Changes for more information.

Standard and Grit Guard® Hub-Seal to Set Cross Reference

Oil Seal	Axle Ring	Hub-Seal Set	Inner Bearing #	Universal Tool Head	Hub Tool	Comment
320-2133	310-1036	382-8063	39581	555-5062	551-5353	
			45284	555-5064	551-5353	
320-2136	310-1064	372-7049	JM511946	555-5055	551-5381	
320-2137	310-1037	382-8064	6461A	555-5007	551-5327	Replaced by 383-0164
320-2162	315-1502	392-9087	681A	555-5071	551-5333	See Set Remarks
			683	555-5076	551-5333	Grit Guard®
320-2164	310-1008	382-8066	JM207049	555-5088	551-5366	
			JM205149	555-5089	551-5366	
320-2166	310-1028	382-8069	6386	None	551-5340	Volvo Front
320-2173	310-1023	372-7024	749 or 749S	555-5024	551-5401	
	315-1503	372-7091	749 or 749S	555-5024	551-5401	Grit Guard®
320-2181	310-1009	382-8052	6386A	555-5060	551-5349	
	310-1093	382-8053	641 or HM212049	555-5060	551-5349	
320-2199	310-1093	382-8056	H715345	555-5070	551-5349	
			H715345	555-5070	551-5344	
320-2213	315-1515	392-9112	663 or HM516449,-C	555-5072	551-5364	Grit Guard®
	315-1519	392-9130	HM516449A	555-5073	551-5364	Grit Guard®
320-2216	310-1034	382-8071	HM212011/ HM212047	555-5066	551-5403	
320-2233	310-1233	392-9111	593X/594	555-5076	551-5404	Mack Midliner

Shaded numbers indicate obsolete part numbers, refer to Engineering Changes for more information.

PERFORMANCE AND VALUE LEADER



**HEAVY DUTY
BEARINGS**

Value Added Bearing Program

Through strategic alliances and strong global procurement, STEMCO Bearings meet the changing needs of today's market. STEMCO Bearings are the right mix of Performance, Convenience and Value.

Consolidated Wheel End Components Provider

The same company that provides High Performance STEMCO Wheel Seals, Pro-Torq Precision Adjusting Nuts and Hub Caps, can supply your wheel bearing needs; providing safety, reliability and performance from a single source.

STEMCO Quality Bearings

Our worldwide network of manufacturing plants is held to the highest quality standards by STEMCO and meets the ABMA specifications for bearing life calculations.

Expanded Bearing Coverage

The STEMCO product offering includes Tapered Roller Bearings, Radial Ball Bearings, Clutch Release Bearings, Individual Cups and Cones, and STEMCO Matched Bearing Sets.

Long Life Warranty

STEMCO offers a 3 or 5 year limited warranty when used in conjunction with the STEMCO Platinum Performance System or Platinum Performance System Plus.



STEMCO®

A Higher Standard of Performance.™
an EnPro Industries company

BEARINGS

STEMCO Quality Bearing Reference Guide



HEAVY DUTY TAPERED ROLLER BEARINGS

P/N	DESCRIPTION
382A	Tapered Roller Cup, Truck
387AS	Tapered Roller Cone, Truck
493	Tapered Roller Cup, Truck
552A	Tapered Roller Cup, Front Axle
555S	Tapered Roller Cone, Front Axle
557S	Tapered Roller Cone, Front Axle
563	Tapered Roller Cup, Front Axle
567	Tapered Roller Cone, Front Axle
572	Tapered Roller Cup, Truck Axle
580	Tapered Roller Cone, Truck Axle
582	Tapered Roller Cone, Truck Axle
592A	Tapered Roller Cup, Truck/Trailer
594	Tapered Roller Cone, Front Axle
594A	Tapered Roller Cone, Front Axle
598A	Tapered Roller Cone, Front Axle
653	Tapered Roller Cup, Trailer/Truck Axle
663	Tapered Roller Cone, Trailer/Truck Axle
665A	Tapered Roller Cone, Trailer/Truck Axle
742	Tapered Roller Cup, Truck Axle
749	Tapered Roller Cone, Truck Axle
3720	Tapered Roller Cup, Front Axle
3782	Tapered Roller Cone, Front Axle
3920	Tapered Roller Cup, Truck Axle
6420	Tapered Roller Cup, Front Axle
6461A	Tapered Roller Cone, Front Axle
6535	Tapered Roller Cup, Truck Axle
6580	Tapered Roller Cone, Truck Axle
15245	Tapered Roller Cup, Truck Axle
15250	Tapered Roller Cup, Truck Axle
25520	Tapered Roller Cup, Truck Axle
25580	Tapered Roller Cone, Truck Axle
25820	Tapered Roller Cup, Truck Axle
25877	Tapered Roller Cone, Truck Axle
28682	Tapered Roller Cone, Truck Axle
39520	Tapered Roller Cup, Truck Axle
39585	Tapered Roller Cone, Truck Axle
39590	Tapered Roller Cone, Truck Axle
45220	Tapered Roller Cup, Front Axle
45280	Tapered Roller Cone, Front Axle
47620	Tapered Roller Cup, Rear Axle
47679	Tapered Roller Cone, Rear Axle
47686	Tapered Roller Cone, Rear Axle
H715311	Tapered Roller Cup, Truck Axle
H715345	Tapered Roller Cone, Truck Axle
HM212011	Tapered Roller Cup, Trailer/Front Axle
HM212047	Tapered Roller Cone, Front Axle
HM212049	Tapered Roller Cone, Trailer/Front Axle
HM218210	Tapered Roller Cup, Trailer Axle
HM218248	Tapered Roller Cone, Trailer Axle
HM516410	Tapered Roller Cup, Rear Axle
HM516449	Tapered Roller Cone, Rear Axle
HM518410	Tapered Roller Cup, Trailer Axle
HM518445	Tapered Roller Cone, Trailer Axle
JM207010	Tapered Roller Cup, Truck Axle
JM207049A	Tapered Roller Cone, Truck Axle
LM102949	Tapered Roller Cone, Front Axle

MATCHED BEARING SETS

P/N	COMPONENTS
SET047-011	HM212047 / HM212011
SET049-011	HM212049 / HM212011
SET248-210	HM218248 / HM218210
SET445-410	HM518445 / HM518410
SET449-410	HM516449 / HM516410
SET580-72	580 / 572
SET582-72	582 / 572
SET594A-92A	594A / 592A
SET598A-92A	598A / 592A
SET663-53	663 / 653
SET3782-20	3782 / 3720
SET28682-22	28682 / 28622
SET39590-20	39590 / 39520
SET45280-20	45280 / 45220
SET45284-20	45284 / 45220
SET47679-20	47679 / 47620
SET47686-20	47686 / 47620

STEMCO MATCHED BEARING SETS

P/N	COMPONENTS
ASET047-011	KHM212047 / KHM212011
ASET049-011	KHM212049 / KHM212011
ASET248-210	KHM218248 / KHM218210
ASET445-410	KHM518445 / KHM518410
ASET449A-410	KHM516449A / KHM516410
ASET555S-52A	K555S / K552A
ASET567-563	K567 / K563
ASET580-72	K580 / K572
ASET582-572	K582 / K572
ASET594A-92A	K594A / K592A
ASET598A-92A	K598A / K592A
ASET663-53	K663 / K653
ASET687-672	K687 / K672
ASET3782-20	K3782 / K3720
ASET6461A-20	K6461A / K6420
ASET45280-20	K45280 / K45220
ASET47679-20	K47679 / K47620

BALL/CLUTH RELEASE/TAPERED BEARING SETS

P/N	DESCRIPTION
F-01757-C	N1707
02135	N2135
02256A	N2256-N
A16	LM12749 / LM12711
A34	LM12748 / LM12710
A38	LM104949 / LM104911
105-SS1	Ball Bearing, 2 Shields
205-FF	Ball Bearing, 2 Seals
205-SS	Ball Bearing, 2 Shields
206-FF	Ball Bearing, 2 Seals
206-SS	Ball Bearing, 2 Shields
305-FF	Ball Bearing, 2 Seals
305-SS	Ball Bearing, 2 Shields
306-FF	Ball Bearing, 2 Seals
306-SS	Ball Bearing, 2 Shields

BALL/CLUTH RELEASE/TAPERED BEARING SETS

P/N	DESCRIPTION
306-SSL	Ball Bearing, 2 Shields, Snap Ring
308-L	Ball Bearing, Snap Ring
1308-L	Ball Bearing, Snap Ring

* Multiply last 2 numbers by 5 to get Bore Size.

STEMCO "A" LINE BEARINGS

P/N	INDUSTRY STANDARD P/N
ASET049-011	KHM212049 / KHM212011
A212049	KHM212049
A212011	KHM212011
ASET248-210	KHM218248 / KHM248210
A218248	KHM218248
A218210	KHM218210
ASET594A-92A	K594A / K592A
A594A	K594A
A592A	K592A
ASET580-72	K580 / K572
A580	K580
A572	K572
ASET3782-20	K3782 / K3720
A3782	K3782
A3720	K3720
ASET445-410	KHM518445 / KHM518410
A518445	KHM518445
A518410	KHM518410
ASET663-53	K663 / K653
A663	K663
A653	K653
ASET047-011	KHM212047 / KHM212011
A212047	KHM212047
A212011	KHM212011
ASET45280-20	K45280 / K45220
A45280	K45280
A45220	K45220
ASET6461A-20	K6461A / K6420
A6461A	K6461A
A6420	K6420
ASET555S-52A	K555S / K552A
A555S	K555S
A552A	K552A
ASET449A-410	KHM516449A / KHM516410
A516449A	KHM516449A
A516410	KHM516410
ASET47679-20	K47679 / K47620
A47679	K47679
A47620	K47620
ASET567-563	K567 / K563
A567	K567
A563	K563
ASET582-572	K582 / K572
A582	K582
A572	K572
ASET687-672	K687 / K672
A687	K687
A672	K672
ASET598A-92A	K598A / K592A
A598A	K598A
A592A	K592A

STEMCO - USA
P.O. Box 1989 · Longview, TX 75606-1989
(903) 758-9981 · 1-800-527-8492
FAX: 1-800-874-4297
www.stemco.com

STEMCO - Canada
5650 Timberlea Blvd. Unit B
Mississauga, ON L4W 4M6
(905) 206-9922 · 877-232-9111
FAX: 877-244-4555

ISO/TS 16949
STEMCO is a trademark of STEMCO LP
©2009 STEMCO LP
Printed in the USA · Part No. 571-3057
Hudson 10-521 Rev. 03/09

Contact your STEMCO Sales Representative for a complete listing of the STEMCO Bearing Line.



Axle Ring to Hub Seal Set Cross Reference

Axle Ring	Oil Seal	Hub Seal Set	Axle Ring	Oil Seal	Hub Seal Set	Deflector Ring	Guardian/Guardian/HP Seal
310-1007	320-2096	392-9007	310-1062	320-2057	392-9035	317-1710*	308-0855
310-1008	320-2018	372-7046	310-1063	320-2057	392-9036	317-1743*	307-0743
310-1008	320-2105	382-8044	310-1064	320-2136	372-7049	317-1702*	308-0836
310-1008	320-2164	382-8066	310-1064	320-2072	392-9038	317-1703*	309-0973
310-1009	320-2181	382-8052	310-1066	320-2061	392-9034	317-1704*	307-0713
310-1012	320-2012	392-9012	310-1079	320-2009	392-9081	317-1705*	309-0904
310-1013	320-2086	382-8001	310-1088	320-2213	None	317-1705*	307-0723
310-1013	320-2109	None	310-1089	320-2099	392-9053	317-1706*	308-0856
310-1017	320-2017	382-8017	310-1093	320-2199	382-8056	317-1706*	309-0903
310-1018	320-2029	372-7018	310-1093	320-2181	382-8053	317-1707*	309-0912
310-1018	320-2029	392-9018	310-1093	320-2058	392-9033	317-1708*	308-0853
310-1018	320-2104	392-9057	310-1093	320-2113	None	317-1709*	307-0744
310-1022	320-2023	372-7022	310-1095	320-2001	392-9001	317-1710*	308-0855
310-1023	320-2023	None	310-1103	320-2001	392-9062	317-1711*	308-0864
310-1023	320-2173	372-7024	310-1104	320-2077	392-9063	317-1712*	309-0964
310-1026	320-2131	None	310-1107	320-2119	392-9066	317-1713*	309-0965
310-1028	320-2166	382-8069	310-1111	320-2106	None	317-1719*	309-0961
310-1028	320-2028	382-8028	310-1111	320-2115	None	317-1721*	308-0863
310-1028	320-2041	382-8045	310-1111	320-2162	None	317-1724*	309-0957
310-1028	320-2009	None	310-1117		See 392-9045 Remarks	317-1726*	308-0866
310-1032	320-2032	382-8032	310-1123		See 392-9034 Remarks	317-1728*	309-0935
310-1034	320-2034	382-8034	310-1130	320-2023	372-7062	317-1756*	309-0915
310-1034	320-2216	382-8071	310-1233	320-2233	392-9111	317-1761*	309-0970
310-1036	320-2032	372-7009	315-1501	320-2102	392-9099	317-1761*	309-0960
310-1036	320-2046	372-7006	315-1502	320-2162	392-9087	317-1790*	309-0948
310-1036	320-2031	None	315-1503	320-2023	372-7099	317-1724*	308-0870
310-1036	320-2036	382-8036	315-1503	320-2173	372-7091		
310-1036	320-2119	382-8027	315-1504	320-2110	372-7097		
310-1036	320-2133	382-8063	315-1506	320-2111	372-7096		
310-1037	320-2118	None	315-1507	320-2109	372-7098		
310-1037	320-2137	382-8064	315-1508	320-2114	392-9096		
310-1038	320-2039	382-8039	315-1508	320-2131	392-9092		
310-1041	320-2023	382-8060	315-1509	320-2117	392-9095		
310-1043	320-2041	372-7015	315-1510	320-2118	372-7095		
310-1048	320-2110	None	315-1511	320-2129	392-9094		
310-1050	320-2022	382-8010	315-1515	320-2213	392-9112		
310-1051	320-2031	382-8011	315-1516	320-2097	392-9089		
310-1051	320-2125	382-8062	315-1517	320-2113	392-9088		
310-1052	320-2050	382-8009	315-1519	320-2213	392-9130		
310-1053	320-2109	392-9032	315-1525	320-2106	392-9131		
310-1057	320-2109	372-7003	315-1530	320-2115	392-9132		
310-1061	320-2056	382-8005					

* 317-series deflector rings are component parts for the Guardian® Hub Seal. These parts are not sold separately.

Shaded numbers indicate obsolete part numbers, refer to Engineering Changes for more information.

Bearings to Hub Seal Set Cross Reference

Quick Reference

Inner Cup & Cone	Outer Cup & Cone	Guardian®/ Guardian® HP Seal No.	Grit Guard®**/ Standard Set	Voyager® Discover®	Inner Cup & Cone	Outer Cup & Cone	Guardian®/ Guardian® HP Seal No.	Grit Guard®**/ Standard Set	Voyager® Discover®
33212	33208			383-0176	633/641	65320/ 65385		382-8039	383-8139
382A/387AS	LM104911/ LM104949		392-9063		652/663	572/575	309-0904	392-9112*	393-0104 393-0204
493/495AX	3920/ 3984		392-9018					392-9007	
493/495AX	33287/ 33462	309-0957	392-9057		653/663	553X560	307-0713	372-7098*	373-0113 373-0213
493/495AX	39520/ 39590	309-0957	392-9057 392-9045		653/663	HM212011/ HM212049	307-0713	372-7098*	373-0113 373-0213
552A/559	552/526		382-8011					372-7003	
553X/557A	3720/3782	308-0836	382-8036	383-0136 383-0236	653/663A	42620/ 42687	309-0961	392-9095*	
563/567	522/528		372-7006		653/665A	HM212011/ HM212049	307-0744	372-7095*	
572/575	572/575		392-9032		672/681A	572/575	309-0970	392-9087*	
572/580	563/567	309-0903	392-9094*	393-0103 393-0203	672/683	572/580	309-0970	392-9087*	
			392-9032		672/683XA	572/580	309-0970	392-9087*	
572/580	42620/ 42687	309-0961	392-9095*		672/687	772/780	309-0948	392-9089*	393-0148 N/A
572/582	563/567	309-0903	392-9094*	393-0103 393-0203	672/687	52618/ 52400	309-0948	392-9089*	393-0148 N/A
572/582	42620/ 42687	309-0961	392-9095*		742/749	632/643		372-7091* 372-7024	
592A/593	65320/ 65390		372-7022 372-7062		742/749S	632/643		372-7091* 372-7024	
592A/594	572/580	309-0964	392-9088*		742/749A	653/663		392-9033	
		309-0973	392-9131	393-0173 393-0273	752/756A	HM212011/ HM212046		382-8028 382-8045	
592A/594A	572/580	309-0960	392-9132*		752/756A	HM212011/ HM212047		382-8028 382-8045	
		309-0964	392-9088*		752/758	663/665		392-9001	
		309-0973	392-9131	393-0173 393-0273	752/759	742/740		372-7015	
592A/594A	572/582	309-0960	392-9132*		752/760	742/749		392-9001	
592A/595	572/580	309-0965	392-9096		752/760	742/749		392-9062	
592A/598	572/575	309-0965	392-9096*		772/780	772/776	309-0948	392-9089*	393-0148 N/A
		309-0973	392-9131	393-0173 393-0273	772/780	854/864	309-0948	392-9089*	393-0148 N/A
592A/598A	653/665	309-0965	392-9092*		772/780	52618/ 52400	309-0948	392-9089*	393-0148 N/A
592A/598	752/758	309-0965	392-9092*		772/780	77675/ 77375	309-0948	392-9089*	393-0148 N/A
592A/598	HM617010/ HM617049	309-0965	392-9092*		772/782	742/749		392-9053	
592A/598A	572/580	309-0960	392-9132		832/843	632/636		382-8008	
		309-0973	392-9131	393-0173 393-0273	3720/3778	25820/ 25877		382-8005	
592A/598A	572/582	309-0960	392-9132*		3720/3778	2720/2790		382-8005	
592A/598	HM617010/ HM617049	309-0960	392-9081 392-9132		3920/3982	3820/3877		382-8011	
593X/594	593X/594		392-9111		3920/3984	453X/462		392-9038	
632/641	3920/3979	308-0853	382-8053	383-0153 N/A	4536/4595	414A/418		382-8010	
					5735/5760	572/575	309-0912	392-9012	393-0112 393-0212
632/641	28622/ 28682	308-0856	382-8056	383-0156 N/A	5735/5760	39520/ 39590		382-8052	

(Continued Next Page.)

Shaded numbers indicate obsolete part numbers, refer to Engineering Changes for more information.

Bearings to Hub Seal Set Cross Reference

Inner Cup & Cone	Outer Cup & Cone	Guardian®/ Guardian® HP Seal No.	Grit Guard®*/ Standard Set	Voyager® Discover®
5735/5760	45220/45287		382-8060	
6320/6379	552A/557S		382-8001	383-0101
6320/6386	552A/557S		382-8001	383-0101
6320/6386A	532A/537		382-8052	
6320/6389	552A/557S		382-8001	383-0101
6420/6461	612/621		382-8060	
6420/6461A	552A/555S	308-0864	382-8064	383-0164 383-0264
6420/6461A	3920/3979	308-0864	382-8064	383-0164 383-0264
6535/6559	653/663		392-9033	
			392-9034	393-0134
6535/6580	653/663		392-9034	393-0134
28920/28995	25523/25580		372-7046	
33462/33281	3920/3982	309-0935	392-9035	
33462/33281	39520/39585		392-9036	
33462/33287	3920/3982	309-0935	392-9035	
33472/33281	3925/3984		392-9045	
33472/33287	3925/3982		392-9045	
33821/33895	3120/3196		382-8016	
39520/39578	25520/25572		382-8010	
39520/39581	3525/3585	308-0836	382-8036	383-0136 383-0236
		308-0863	382-8063 382-8027	
39520/39581	26820/26878		382-8017	
39520/39585	25520/25572		382-8062	
45220/45284	2720/2780		382-8044	
45220/45284	2720/2786		382-8009	
45220/45284	2720/2793		382-8009	
45220/45284	2720/2796		382-8009	
45220/45284	25820/25880	308-0863	382-8044 382-8063	
45220/45285	2720/2786		382-8009	
45220/45285	2720/2793		382-8009	
45220/45285	2720/2796		382-8009	
47620/47678	39520/39585	309-0912	392-9012	393-0112
			392-9099*	393-0212
47620/47685	39520/39590	309-0912	392-9099*	393-0112 393-0212
47620/47686	39520/39590	309-0912	392-9099*	393-0112 393-0212
		309-0915	392-9012 392-9045	393-0112

Inner Cup & Cone	Outer Cup & Cone	Guardian®/ Guardian® HP Seal No.	Grit Guard®*/ Standard Set	Voyager® Discover®
127627/1889311	49521/188933			392-9063
7451691/7451929	7451813/7451814			392-9063
H715311/H715345	552A/555S	308-0856	382-8056	383-0156 N/A
H715311/H715345	3920/3979	308-0853	382-8053	383-0153 N/A
HM212010/HM212049	28622/28682	308-0853	382-8053	383-0153 N/A
HM212011/HM212044	3720/3782	308-0836	382-8036	383-0136 383-0236
HM212011/HM212047	3720/3779		382-8034	
HM212011/HM212047	3720/3782	308-0836	382-8036	383-0136 383-0236
HM212011/HM212047	45220/45282		382-8034 382-8071	383-0171
HM212011/HM212049	3720/3782	308-0836	382-8036	383-0136 383-0236
			382-8032	
HM212011/HM212049	45220/45280		382-8039	383-0139 383-0239
HM212011/HM212049X	3720/3782	308-0836	382-8036	383-0136 383-0236
HM218210/HM218248	HM212011/HM212049	307-0743	372-7097	373-0143 373-0243
JM205110/JM205149	25820/25877	308-0866	382-8066	383-0166 383-0175
JM207010/JM207049	25820/25877	308-0866	382-8066	383-0166
HM516410/HM516449	572/575		392-9007	
HM516410/HM516449	47620/47679	309-0904	392-9112	393-0104 393-0204
			392-9007	
HM516410/HM516449A	47620/47679	309-0904	392-9130*	393-0104 393-0204
HM518410/HM518445	HM518410/HM518445	307-0723	372-7099	373-0123 373-0223
JM205149	32207			383-0175
JM205110/JM204149A	25820/25877		382-8066	383-0166
JM511910/JM510946	JM205110/JM205149		372-7049	
JF7049A		308-0870		
33212	33208			383-0176

Shaded numbers indicate obsolete part numbers, refer to Engineering Changes for more information.

Guardian® / Guardian® HP Hub-Seals

Guardian® Seal No.	Inner Bearing Cup/Cone	Outer Bearing Cup/Cone	Universal Axle Tool Head*	Grit Guard® Equiv.	Voyager® Discover® Endeavor® Equiv.	Remarks
307-0713**	653/663	553X/560 HM212011/ HM212049	555-5100	372-7098	373-0113 373-0213	Do not use on early hubs and wheels that have seal bore diameter greater than 5.758.
307-0723**	HM518410/ HM518445	HM518410/ HM518445	555-5023	372-7099	373-0123 373-0223 373-0323	Guardian® set for Pro-Par axle; Also Eaton P-22 and Meritor TP Hub Cap tool #570-7008.
307-0743**	HM218210/ HM218248	HM212011/ HM212049	555-5039	372-7097	373-0143 373-0243 373-0343	Will not fit Std. Forge Hub mfg. prior to 8/71 nor Kershaw K-22 Axle prior to 1/73, nor Std. Forge A22-S Axle prior to 5/71, nor KBW prior to 1/78.
307-0744	653/665A	HM212011/ HM212049	555-5069	372-7095	373-0144	Do not use with Budd hubs having seal bore diameter greater than 5.758. When used with Eaton inboard skid control, use 320-2118 & 310-1037 .

*Use 555 series Tool Heads with Universal Axle Tool body **555-0001**.

**HP Design.

Very Important! These seal sets must be installed with the tools listed in this catalog!

Trailer, Tag & Pusher Axles

Hub or Wheel	Hub Cap Mounting			Hub Cap 1 Each**	
	No. Bolts	Bolt Circle	Bolt Size	Hub Cap w/ Gasket	Gasket Number
Budd, Dayton, Erie Wheel Nos. 878, 8781, All Erie after Jan 1965, Hutch, Shuler Standard Forge, Meritor Gunitite Wheel Nos. 5085, 5108, 5118, 5119, 5185, 5215, 5219 Webb Wheel Series: 5541, 5591, 6315, 6320, 6322	6	5-1/2	5/16	340-4009	330-3009
Trailmobile, Webb Wheel or Hub Series: All Hubs, 6321, 6323, 315, 320, 322, 400, 422 440, 550, 555, 852	5	5-1/2	5/16	340-4013	330-3013
Pro-Par	6-1/4x8 TPI (M)			340-4075	330-3077
Motor Wheel Hub 89402-F, Webb, etc.	6	6-3/4	5/16	340-4195	330-3118
All Exc T/M before 4/89	6	5-1/2	5/16	340-4009	330-3009
T/M before 4/89	5	5-1/2	5/16	340-4013	330-3013
Budd, Dayton, Erie 1965 Up, Hutch, Shuler, Std. Forge, Meritor, Gunitite Nos. 5085, 5108, 5118, 5119, 5185, 5215, 5218, 5219, TTA745, TB745, TA768, Webb Nos. 5541, 5591, 6315, 6320, 6321, 6322, 6323	6	5-1/2	5/16	340-4009	330-3009
Trailmobile and Webb Nos. All Hubs, 315, 320, 322, 400, 422, 440, 550, 555, 852	5	5-1/2	5/16	340-4013	330-3013

**For hub cap with pipe plug use 343-prefix.

Hub caps sold separately!

Voyager®/Discover®/Endeavor® Hub-Seals

Voyager® Discover® Endeavor®	Inner Bearing Cup/Cone	Outer Bearing Cup/Cone	Fleet Hub Tool*	Bearing Guide	Guardian® Equivalent	Grit Guard® Equivalent	Remarks
373-0113 373-0213	653/663	553X/560 HM212011/ HM212049	551-5313	570-0023	307-0713	372-7098	Do not use on early hubs and wheels that have seal bore diameter greater than 5.758.
373-0123 373-0223 373-0323	HM518410/ HM518445	HM518410/ HM518445	551-5401	570-0025	307-0723	372-7099	Fits Pro-Par axle; also Eaton P-22 and Meritor TP. Hub cap tool # 570-7008 .
373-0143 373-0243 373-0343	HM218210/ HM218248	HM212011/ HM212049	551-5412	570-0026	307-0743	372-7097	Will not fit Std. Forge Hub mfd. prior to 8/71 nor Kershaw K-22 Axle prior to 1/73, nor x prior to 1/73, nor Std. Forge A22-S KBW prior to 1/78.
373-0144	653/665A	HM212011/ HM212049	551-5339	570-0024	307-0744	372-7095	Do not use with Budd hubs having seal bore diameter greater than 5.758. When used with Eaton inboard skid control, use 320-2118 & 310-1037 . Use Hub tool 551-5321 with 372-7095
373-0191	742/749 or 749S	632/643	551-5401	570-0003	N/A	372-7091	Will not fit S/F A-21-T prior to 6/71. Will not fit Gunite Wheels R-20-319 or T22-319.

*Use 551 series Tools with Universal Tool handle **551-0001**.

Very Important! These seal sets must be installed with the tools listed in this catalog!

Trailer, Tag & Pusher Axles

Hub or Wheel	Hub Cap Mounting			Hub Cap 1 Each**	
	No. Bolts	Bolt Circle	Bolt Size	Hub Cap w/ Gasket	Gasket Number
Budd, Dayton, Erie Wheel Nos. 878, 8781, All Erie after Jan 1965, Hutch, Shuler Standard Forge, Meritor Gunite Wheel Nos. 5085, 5108, 5118, 5119, 5185, 5215, 5219, Webb Wheel Series: 5541, 5591, 6315, 6320, 6322.	6	5 1/2	5/16	340-4009	330-3009
Trailmobile, Webb Wheel or Hub Series: All Hubs, 6321, 6323, 315, 320, 322, 400, 440, 550, 555, 852	5	5 1/2	5/16	340-4013	330-3013
Pro-Par Motor Wheel Hub 89402-F	6	6 1/4x8 TPI (M)	5/16	340-4075	330-3077
		6 3/4		340-4195	330-3118
All Exc T/M before 4/89 T/M before 4/89	6	5 1/2	5/16	340-4009	330-3009
	5	5 1/2	5/16	340-4013	330-3013
Budd, Dayton, Erie 1965 Up, Hutch, Shuler, Std. Foirage, Meritor, Gunite Nos. 5085, 5108, 5118, 5119, 5185, 5215, 5218, 5219, TTA745, TB745, TA768, Webb Nos. 5541, 5591, 6315, 6320, 6321, 6322, 6323	6	5 1/2	5/16	340-4009	330-3009
Trailmobile and Webb Nos. All Hubs, 315, 320, 322, 400, 422, 440, 550, 555, 852	5	5 1/2	5/16	340-4013	330-3013
Erie Wheels	3	6 1/8	3/8	340-4011	330-3011
	6	6 1/8	5/16	340-4163	330-3104
Meritor Hub, Dayton, Webb, Standard Forge DW-10, DW-13, LW-10	6	6	5/16	340-4059	330-3056

**For hub cap with pipe plug use 343-prefix.

Hub caps sold separately!

Standard Hub-Seal Sets

Wheel Set No.	Wheel Set Components (1 Each per Set)		Inner Bearing Cup/Cone	Outer Bearing Cup/Cone	Universal Axle Tool Head*	Universal Hub Tool Head**	Bearing Guide
	Axle Ring	Oil Seal					
372-7003	310-1057	320-2109	653/663	HM212011/ HM212049 553X/560	555-5031	551-5313	570-0023
372-7006	310-1036	320-2046	563/567	522/528	555-5011	551-5388	N/A
372-7015	310-1043	320-2041	752/759	742/740	555-5023	551-5398	570-0025
372-7022	310-1022	320-2023	592A/593	65320/65390	NONE	551-5401	570-0025
372-7024 (Obsolete)	310-1023	320-2173	742/749 or 749S	632/643	555-5024	551-5401	N/A
For Grit Guard® Set No. 372-7091 See page 22.							
372-7046	310-1008	320-2018	28920/ 28995	25523/ 25580	555-5052	551-5351	N/A
372-7049	310-1064	320-2136	JM511910/ JM511946	JM205110/ JM205149	555-5055	551-5381	N/A
372-7062	310-1130	320-2023	592A/593	65320/65390 HH506310/ HH506348	555-5023	551-5401	570-0025

*Use 555 series Tool Heads with Universal Axle Tool body **555-0001** (installs axle/deflector rings).

** Use 551 series tools with new Universal Hub Tool Handle **551-0001** (installs 320 series Voyager® and Discover® seals).

Shaded numbers indicate obsolete part numbers - refer to engineering changes for more information.

Trailer, Tag & Pusher Axles

Remarks	Hub or Wheel	Hub Cap Mounting			Hub Cap 1 Each**	
		No. Bolts	Bolt Circle	Bolt Size	Hub Cap w/ Gasket	Gasket Number
	K-B Hub	None	Blank	None	340-4015*	330-3015
	Erie, Webb 6313	3	5-1/4	3/8	340-4002	330-3002
	Dayton	6	5-1/2	5/16	340-4009	330-3009
	Erie	3	6-1/8	3/8	340-4011	330-3011
	Webb Nos. 273,275 & 625	3	5-1/2	3/8	340-4014	330-3014
	Meritor & Std. Forge Hub	6	4-1/2	5/16	340-4024	330-3024
	Blank Cap for Dayton, Erie, Gunite & Webb 22" 6-spoke wheel.	None	Blank	None	340-4054*	330-3017
	Standard Forge Hub	7	6-7/8	7/16	340-4082	330-3062
	Dayton 11-14334-052-2	6	6-3/4	3/8	340-4064	330-3079
Fruehauf No. 5 (Prior to 2/60) Includes O-ring 355-5502	Fruehauf No. 5 (Prior to Feb. 1960)	3	5-1/4	3/8	340-4019	330-3019
Will not fit S/F A-21-T prior to 6/71. Will not fit Gunite wheels R20-319 or T22-319.	Erie Wheels	3	6-1/8	3/8	340-4011	330-3011
		6	6-1/8	5/16	340-4163	330-3104
		6	6	5/16	340-4059	330-3056
	Standard Forge 300100-001 after 1/76, Erie 350	4	4	1/4	340-4157*	330-3102
	Kelsey-Hayes	6	4-1/16	3/16	340-4139*	330-3094
Fruehauf Modified #5, 2/60 & up.	Fruehauf Modified #5, 2/60 & up.	3	5-1/4	3/8	340-4019	330-3019

*Not available with pipe plug.

**For hub cap with pipe plug use 343-prefix.

Very Important! These seal sets must be installed with the tools listed in this catalog!

Grit Guard® Hub-Seal Sets

Wheel Set No.	Wheel Set Components (1 Each per Set)		Inner Bearing Cup/Cone	Outer Bearing Cup/Cone	Universal Axle Tool Head*	Universal Hub Tool Head**	Bearing Guide
	Axle Ring	Oil Seal					
372-7091	315-1503	320-2173	742/749 or 749S	632/643	555-5024	551-5401	N/A
For Voyager® Seal No. 373-0191, see page 18.							
372-7095	315-1510	320-2118	653/665A	HM212011/ HM212049	555-5069	551-5321	570-0024
For Guardian® Seal No. 307-0744, see page 16.							
For Voyager® Seal No. 373-0144, see page 18.							
372-7096	315-1506	320-2111	772/787	6535/6580	555-5016	551-5323	N/A
372-7097	315-1504	320-2110	HM218210/ HM218248	HM212011/ HM212049	555-5039	551-5412	570-0026
For Guardian®HP Seal No. 307-0743, see page 16.							
For Voyager® Seal No. 373-0143, see page 18.							
For Discover® Seal No. 373-0243, see page 18.							
For Endeavor® Seal No. 373-0343, see page 18.							

*Use 555 series heads with Universal Axle Tool body 555-0001 (installs axle/deflector rings).

** Use 551 series tools with new Universal Hub Tool Handle 551-0001 (installs 320 series seals, Voyager® and Discover®).

Very Important! These seal sets must be installed with the tools listed in this catalog!

Trailer, Tag & Pusher Axles

Remarks	Hub or Wheel	Hub Cap Mounting			Hub Cap 1 Each**	
		No. Bolts	Bolt Circle	Bolt Size	Hub Cap w/ Gasket	Gasket Number
Will not fit S/F A-21-T prior to 6/71.	Erie Wheels	3	6-1/8	3/8	340-4011	330-3011
		6	6-1/8	5/16	340-4163	330-3104
Will not fit Gunite wheels R20-319 or T22-319.	Meritor Hub, Dayton, Webb, Standard Forge DW-10, DW-13, LW-10	6	6	5/16	340-4059	330-3056
Do not use with Budd hubs having seal bore diameter greater than 5.758. When used with Eaton inboard skid control, use 320-2118 and 310-1037 .	Budd, Dayton, Erie 65-Up Hutch, Shuler, Standard Forge, Meritor Gunite Wheel Nos. 5085, 5108, 5118, 5119, 5185, 5215, 5218, 5219, TA745, TB745, TA768 Webb Wheel Nos. 5541, 5591, 6315, 6320, 6321, 6322	6	5-1/2	5/16	340-4009	330-3009
	Trailmobile Webb Wheel or Hub Series: All Hubs, 315, 320, 322, 400, 422, 440, 550, 555, 852	5	5-1/2	5/16	340-4013	330-3013
	Webb Wheel Series: 025, 273, 508, 612, 613, 625, 770, 771, 800, 850, 4812, 5013	None	Blank	None	340-4015*	330-3015
	Standard Forge A-3500A-1; 300135-001	6	7-1/4	1/4	343-4107	330-3084
Will not fit Std. Forge Hub mfg. prior to 8/71 nor	All Excluding T/M before 4/89	6	5-1/2	5/16	340-4009	330-3009
Kershaw K-22 axle prior to 1/73, nor Std Forge A22-S axle prior to 5/71, nor KBW prior to 1/78. Ring 315-1504 will not fit shoulders less than .625, use 310-1048 .	T/M before 4/89	5	5-1/2	5/16	340-4013	330-3013

*Not available with pipe plug.

**For hub cap with pipe plug use 343-prefix.

Hub caps sold separately!

Grit Guard® Hub-Seal Sets

Wheel Set No.	Wheel Set Components (1 Each per Set)		Inner Bearing Cup/Cone	Outer Bearing Cup/Cone	Universal Axle Tool Head*	Universal Hub Tool Head**	Bearing Guide
	Axle Ring	Oil Seal					
372-7098	315-1507	320-2109	653/663	553X/560 HM212011/ HM212049	555-5100	551-5313	570-0023
For Guardian®HP Seal No. 307-0713, see page 16.							
For Voyager® Seal No. 373-0113, see page 18.							
For Discover® Seal No. 373-0213, see page 18.							
372-7099	315-1503	320-2023	HM518410/ HM518445	HM518410/ HM518445	555-5023	551-5401	570-0025
For Guardian®HP Seal No. 307-0723, see page 16.							
For Voyager® Seal No. 373-0123, see page 18.							
For Discover® Seal No. 373-0223, see page 18.							
For Endeavor® Seal No. 373-0323, see page 18.							

*Use 555 series Tool Heads with Universal Axle Tool body **555-0001** (installs axle/deflector rings).

** Use 551 series tools with new Universal Tool Handle **551-0001** (installs 320 series seals, Voyager® and Discover®).

Very Important! These seal sets must be installed with the tools listed in this catalog!

Trailer, Tag & Pusher Axles

Remarks	Hub or Wheel	Hub Cap Mounting			Hub Cap 1 Each**	
		No. Bolts	Bolt Circle	Bolt Size	Hub Cap w/ Gasket	Gasket Number
Do not use on early hubs and wheels that have seal bore diameter greater than 5.758.	Budd, Dayton, Erie Wheel Nos. 878, 8781, All Erie after Jan. 1965, Hutch, Shuler, Standard Forge, Meritor Gunite Wheel Nos. 5085, 5108, 5118, 5119, 5185, 5215, 5219 Webb Wheel Series: 5541, 5591, 6315, 6320, 6322	6	5-1/2	5/16	340-4009	330-3009
	Trailmobile Webb Wheel or Hub Series All Hubs, 6321, 6323, 315, 320, 322, 400, 422, 440, 550, 555, 852	5	5-1/2	5/16	340-4013	330-3013
	Webb 775	None	Blank	None	340-4015*	330-3015
Fits Pro-Par axle, Eaton P-22 and Meritor TP. Hub Cap tool no. 570-7008	Pro-Par Motor Wheel Hub 89402-F, Webb, etc.	6-1/4 x 8 UN (M)			340-4075	330-3077
		6	6-3/4	5/16	340-4195	330-3118

*Not available with pipe plug.

**For hub cap with pipe plug use 343-prefix.

Hub caps sold separately!

Guardian® Hub-Seals

Guardian® HP/ Guardian® Seal No.	Inner Bearing Cup/Cone	Outer Bearing Cup/Cone	Universal Axle Tool Head*	Standard Set Equiv.	Voyager® Discover® Endeavor® Equiv.	Remarks
308-0836**	39520/39581	3525/3585	555-5062	382-8036	383-0136 383-0236 383-0336	Ford 9000# axle. Code N (FD-900),with 15x3 or 15x3-1/2 wedge brakes,use 382-8027 set. GMC only (FE-900),prior to 1960 use, 310-1036 and 320-2031 . Be sure steering adjustment stop bolt does not interfere with ring.
	HM212011/ HM212044 553X/557A	3720/3782	555-5061			
	HM212011/ HM212049 HM212011/ HM212049-X, X1	3720/3782	555-5098			
	HM212011/ HM212047	3720/3782	555-5066			
308-0853	632/641	3920/3979	555-5060	382-8053	383-0153 N/A	
	H715311/ H715345	3920/3979	555-5070			
	HM212011/ HM212049	28622/28682	555-5060			
308-0855	632/641	28622/28682	555-5060	N/A	383-0156 N/A	Use with FA-109 1979 & up spoke wheel number 454593-C2. Must be used with hydraulic brakes after 75. FA-109 comes with hydraulic brakes. IHC application.
308-0856	H715311/ H715345 632/641	28622/28682 552A/555S	555-5070	382-8056	383-0156 N/A	
308-0863	39520/ 39581	3525/3585	555-5062	382-8063	N/A	Ford 9000# 1975 to 1984
	45220/ 45284	25820/ 25880	555-5064			Ford 9000# 1984 up

*Use 555 series tool heads with Universal Axle Tool body **555-0001**.

**HP Design

Very Important! These seal sets must be installed with the tools listed in this catalog!

Front Axles

Seal Sets
Front Axles

Installation
Tools

Component
Specs

Pro-Torq®

Long-Life
Systems

Engineering
Changes

Cross
Reference

Installation
Instructions

Hub or Wheel	Hub Cap Mounting			Hub Cap 1 Each*	
	No. Bolts	Bolt Circle	Bolt Size	Hub Cap w/ Gasket	Gasket Number
Brockway - Gunite Spoke Wheel FA-670, FB-670	6	5-1/2	5/16	340-4009	330-3009
R/S Hub A-333-M-2187	6	4-1/2	5/16	340-4024	330-3024
Mack Western - R/S Hub A-333-M-2197	6	4-1/2	5/16	340-4024	330-3024
Gunite Spoke Wheel FA-670, FB-670	6	5-1/2	5/16	340-4095	330-3009
Meritor-Std. Hub & Some IHC Spoke Wheels	6	4-1/2	5/16	340-4024	330-3024
Gunite F20-20X, F20-34, 1785	4	5	1/4	340-4028	330-3028
Gunite F22-58, F20-58, F20-26, F22-26, F20-57, F22-57	4	5	5/16	340-4186	330-3120
Dayton F-8226, F-8321, 02, 09021 and Webb 903, 9523	6	5-1/8	5/16	340-4042	330-3041
Dodge Spoke Wheel	6	5-1/2	5/16	340-4249	330-3122
Dayton 09843	6	4-1/2	5/16	340-4024	330-3024
K-W Hub	6	5-1/2	5/16	340-4249	330-3122
Budd 100122, Dayton 9807, Gunite FA-670, 701, 740, FB-670, 701, 740	6	5-1/2	5/16	340-4095	330-3009
White spoke wheel or hub					
Mack Western spoke wheel					
Dayton F-7428, F-7444, F-7468, F-74981, F-7482, F-7483, F-7484, F-9066	6	5-1/8	5/16	340-4066	330-3041
Dayton 0214107	6	5-1/2	5/16	340-4046	330-3009
Freightliner Aluminum Hub	6	6-5/8	1/4	340-4034	330-3034
Kenworth, Peterbilt Aluminum Hub	6	5-9/16	5/16	340-4149	330-3097
Hub within 97"	6	5-1/2	5/16	340-4046	330-3009
Hub or Wheel within 96" Limit	6	5-1/2	5/16	340-4249	330-3122
Spoke Wheel within 97" Limit	6	5-1/2	5/16	340-4095	330-3009
FA-109 with Cast Spoke Wheel '79 & up.	6	5-1/2	5/16	340-4249	330-3122
Hub or Wheel within 96" Limit	6	5-1/2	5/16	340-4249	330-3122
Hub within 97" Limit	6	5-1/2	5/16	340-4046	330-3009
Spoke Wheel within 97" Limit	6	5-1/2	5/16	340-4095	330-3009
Hub or Wheel	4	5	5/16	340-4186	330-3120

*For hub cap with pipe plug use 343-prefix.

Hub caps ordered separately!

Guardian® Hub-Seals

Guardian® HP/ Guardian Seal No.	Inner Bearing Cup/Cone	Outer Bearing Cup/Cone	Universal Axle Tool Head*	Standard Set Equiv.	Voyager® Discover® Equiv.	Remarks
308-0864	6420/6461A	552A/555S	555-5007	382-8064	383-0164 383-0264	
		3920/3979				
308-0866	JM207010/ JM207049A	25820/25877	555-5088	382-8066	383-0166	
	JM205110/ JM205149A	25820/25877	555-5089			
308-0870	JF7049A		555-5297	N/A	N/A	Volvo FA 7.5 Front Axle
381-0148 □	H414210/ H414245A	513047	555-5291	N/A	N/A	Isuzu FVR, Chev, GMC W7HV
381-0150 □	HM212011/ HM212047	4335/4388	555-5295	N/A	N/A	Isuzu FTR, Chev, GMC W7

*Use 555 series tool heads with Universal Axle Tool body **555-0001**.

□ SS4 Seal

Very Important! These seal sets must be installed with the tools listed in this catalog!

Front Axles

Seal Sets
Front Axles

Installation
Tools

Component
Specs

Pro-Torq®

Long-Life
Systems

Engineering
Changes

Cross
Reference

Installation
Instructions

Hub or Wheel	Hub Cap Mounting			Hub Cap 1 Each*	
	No. Bolts	Bolt Circle	Bolt Size	Hub Cap w/ Gasket	Gasket Number
Dayton F-8749, 9410, 14402 Mack, Western, R/S Hub A-333-F-2304 Gunite FA-504, 534, 674, FB-400, 674 FC-400, 401, 674, Hub H-299	6	5-1/2	5/16	340-4046	330-3009
	6	5-1/2	5/16	340-4249	330-3122
Brockway R/S Hub A-333-P-2304, A-333-J-1206, A-333-W-1089, A-333-Y-1091	3	5-9/16	5/16	340-4049	330-3042
	6	5-1/2	5/16	343-4249	330-3122
Dayton F-8702, Gunite F-20-316	6	5-1/8	5/16	340-4066	330-3041
Dayton FN-8702, 8749, 8863, 9432, 9837, 14002, 3, 4, Gunite FA FB FC 705	6	5-1/2	5/16	340-4095	330-3009
R/S Hub A-333-G-2113 K/W K-150-D-204	6	5-9/16	5/16	340-4149	330-3097
Mack Spoke Wheel 19QJA318	6	5-1/2	5/16	340-4098	330-3009
IHC Hub or Wheel	4	3-5/8	5/16	340-4065	330-3040
	6	132 mm	8.5 mm	343-4269	330-3128
	6	110 mm	8.5 mm	343-4295	330-3130

*For hub cap with pipe plug use 343-prefix.

Hub caps ordered separately!

Voyager®/Discover®/Endeavor® Hub-Seals

Voyager®/ Discover®/ Endeavor®	Inner Bearing Cup/Cone	Outer Bearing Cup/Cone	Fleet Hub Tool*	Bearing Guide	Guardian® Equivalent	Standard Set Equivalent	Remarks
383-0101	6320/6386 or 6389	552A/557S	551-5420	570-0020	N/A	382-8001	Bearing spacer not part of set. Purchase from dealer if damaged or worn. When used on tag or pusher axle with inner cone 6379, bearing spacer is not used.
	6320/6379	552A/557S		N/A			
383-0136 383-0236 383-0336	39520/39581	3525/3585	551-5346	570-0017	308-0836	382-8036	Ford 9000# axle. Code N (FD-900), with 15x3 or 15x3-1/2 wedge brakes, use 382-8027 set. GMC only (FE-900), prior to 1960, use 310-1036 and 320-2031 sets. Be sure steering adjustment stop bolt does not interfere with ring.
	HM212011/ HM212044 553X/557A	3720/3782	551-5346	570-0018			
	HM212011/ HM212049 HM212011/ HM212049X,X1	3720/3782	551-5346	570-0020			
	HM212011/ HM212047	3720/3782	551-5346	570-0019			
383-0139 383-0239	663/641	65320/65385	551-5413	570-0020	N/A	382-8039	383-0139 must be used with 310-1132 ring, available in kit 383-8139 . Replacement o-ring for 310-1132 is 355-5507 .
	HM212011/ HM212049	45220/45280					
Must be ordered as 383-8139 to receive 310-1132 ring.							
383-0153	632/641	3920/3979	551-5419	570-0020	308-0853	382-8053	Used Hub tool with 551-5349 with 382-8053 .
	H715311/ H715345	3920/3979	551-5419	570-0021			
	HM212011/ HM212049	28622/28682	551-5419	570-0020			

*Use 551 series Tool Heads with Universal Tool Handle **551-0001**.

Shaded numbers indicate obsolete part numbers.

Hub or Wheel	Hub Cap Mounting			Hub Cap 1 Each*	
	No. Bolts	Bolt Circle	Bolt Size	Hub Cap w/ Gasket	Gasket Number
Hub or spoke Wheel with 6 hole cap	6	6	3/8	343-4080	330-3060
Brockway - Gunite Spoke Wheel FA-670, FB-670	6	5-1/2	5/16	340-4009	330-3009
R/S Hub A-333-M-2187	6	4-1/2	5/16	340-4024	330-3024
Mack Western - R/S Hub A-333-M-2197	6	4-1/2	5/16	340-4024	330-3024
Gunite Spoke Wheel FA-670, FB-670	6	5-1/2	5/16	340-4095	330-3009
Meritor-Std. Hub & Some IHC Spoke Wheels	6	4-1/2	5/16	340-4024	330-3024
Gunite F20-20X, F20-34, 1785	4	5	1/4	340-4028	330-3028
Gunite F22-58, F20-58, F20-26, F22-26, F20-57, F22-57	4	5	5/16	340-4186	330-3028
Dayton F-8226, F-8321, 02, 09021 and Webb 903, 9523	6	5-1/8	5/16	340-4042	330-3041
Dodge Spoke Wheel	6	5-1/2	5/16	340-4249	330-3122
Dayton 09843	6	4-1/2	5/16	340-4024	330-3024
K-W Hub	6	5-1/2	5/16	340-4249	330-3122
Budd 100122, Dayton 9807, Gunite FA-670, 701, 740, FB-670, 701, 740 White spoke wheel or hub Mack Western spoke wheel	6	5-1/2	5/16	340-4095	330-3009
Dayton F-7428, F-7444, F-7468, F-74981, F-7482, F-7483, F-7484, F-9066	6	5-1/8	5/16	340-4066	330-3041
Dayton 0214107	6	5-1/2	5/16	340-4046	330-3009
Freightliner Aluminum Hub	6	6-5/8	1/4	340-4034	330-3034
Kenworth, Peterbilt Aluminum Hub	6	5-9/16	5/16	340-4149	330-3097
Spoke Wheel & Aluminum Hub Gunite Spoke Wheel FA-704, FB-704" Gunite Malleable Hub H-312 Mack Western - Mack Alum. Hub 6QJ-456	6	5-7/8	5/16	343-4025	330-3025
Steel Hub	6	5-1/4	5/16	340-4031	330-3031
Hub within 97"	6	5-1/2	5/16	340-4046	330-3009
Hub or Wheel within 96" limit	6	5-1/2	5/16	340-4249	330-3122
Spoke Wheel within 97" limit	6	5-1/2	5/16	340-4095	330-3009

*For hub cap with pipe plug use 343-prefix.

Hub caps sold separately!

Voyager®/Discover®/Endeavor® Hub-Seals

Voyager®/ Discover®	Inner Bearing Cup/Cone	Outer Bearing Cup/Cone	Fleet Hub Tool*	Bearing Guide	Guardian® Equivalent	Standard Set Equivalent	Remarks
383-0156	H715311/ H715345 632/641	552A/555S 28622/28682	551-5344	570-0021	308-0856	382-8056	Use 308-0855 for FA109 1979 & up Spoke wheel number 454593-C2. 308-0855 must be used with hydraulic brakes after '75. FA-109 comes with hydraulic brakes.
383-0164 383-0264	6420/6461A	552A/555S 3979/3920	551-5327	570-0022	308-0864	382-8064	Mack
383-0166	JM207010/ JM207049A/ JM205110/ JM205149A	25820/25877 25820/25877	551-5423	570-0036 570-0033	308-0866	382-8066	Use Hub tool 551-5366 with 382-8066
383-0171	HM212011/ HM212047	45220/45282	551-5403	570-0019	N/A	382-8071	GMC F-120, F-120D axles, 1985 Up. With 5" seal bore.
383-0175	JM205149	32207	551-5417	570-0033	N/A	N/A	GMC Topkick
383-0176	33212	33208	551-5418	570-0031	N/A	N/A	GMC Topkick

*Use 551 series Tool Heads with Universal Tool Handle **551-0001**.

Very Important! These seal sets must be installed with the tools listed in this catalog!

Hub or Wheel	Hub Cap Mounting			Hub Cap 1 Each*	
	No. Bolts	Bolt Circle	Bolt Size	Hub Cap w/ Gasket	Gasket Number
Hub within 97"	6	5-1/2	5/16	340-4046	330-3009
Hub or Wheel within 96" limit	6	5-1/2	5/16	340-4249	330-3122
Spoke Wheel within 97" limit	6	5-1/2	5/16	340-4095	330-3009
Dayton F-8749, 9410, 14402 Mack, Western, R/S hub A-333-F-3204. Gunite FA-504, 534, 674, FB-400, 674 674, FC-400, 401, 674, Hub H-299	6	5-1/2	5/16	340-4249	330-3122
	6	5-1/2	5/16	340-4046	330-3042
Brockway R/S Hub A-333 -P-2304, A-333-J-1206, A-333-W-1089 A-333-Y-1091	3	5-9/16	5/16	340-4049	330-3042
	6	5-1/2	5/16	343-4249	330-3122
Dayton F-8702, Gunite F-20-316	6	5-1/8	5/16	340-4066	330-3041
Dayton FN-8702, 8749, 8863, 9432, 9837, 14002, 3, 4, Gunite FA FB FC 705	6	5-1/2	5/16	340-4095	330-3009
R/S Hub A-333-G-2113, Peterbilt, K/W K/W K-150-D-204	6	5-9/16	5/16	340-4149	330-3097
Mack Spoke Wheel 19QJA318	6	5-1/2	5/16	340-4098	330-3009
	4	3-5/8	5/16	340-4065	330-3040
Dayton-Walther 12-14894	6	5-1/8	5/16	340-4042	330-3041
	6	5-1/8	5/16	340-4066	330-3041

*For hub cap with pipe plug use 343-prefix.

Hub caps sold separately!

Standard Hub-Seal Sets

Wheel Set No.	Wheel Set Components (1 Each per Set)		Inner Bearing Cup/Cone	Outer Bearing Cup/Cone	Universal Axle Tool Head*	Fleet Hub Tool**	Bearing Guide
	Axle Ring	Oil Seal					
382-8001	310-1013	320-2086	6320/6386 or 6389	552A/557S	555-5060	551-5311	570-0020
			6320/6379	552A/557S	555-5014	551-5311	N/A
For Voyager® Seal No. 383-0101, see page 30.							
382-8005	310-1061	320-2056	3720/3778	25820/25877 2720/2790	555-5001	551-5302	N/A
382-8009	310-1052	320-2050	45220/45284 45220/45285	2720/2786 2720/2793 2720/2796	555-5036	551-5347	N/A
382-8010	310-1050	320-2022	4536/4595 39520/39578	414A/418 25520/25572	NONE	551-5381	N/A
382-8011	310-1051	320-2031	552A/559 3920/3982	522/526 3820/3877	NONE	551-5388	570-0019
382-8017	310-1017	320-2017	39520/39581	26820/26878	555-5062	551-5352	570-0017
382-8027	310-1036	320-2119	39520/39581	3525/3585	555-5062	551-5353	570-0017

*Use 555 series Tool Heads with Universal Axle Tool body **555-0001** (installs axle/deflector rings).

** Use 551 series tools with new Universal Hub Tool Handle **551-0001** (installs 320 series seals).

Very Important! These seal sets must be installed with the tools listed in this catalog!

Remarks	Hub or Wheel	Hub Cap Mounting			Hub Cap 1 Each*	
		No. Bolts	Bolt Circle	Bolt Size	Hub Cap w/ Gasket	Gasket Number
Bearing spacer not part of set. Purchase from dealer if damaged or worn. When used on tag or pusher axle with inner cone 6379, bearing spacer is not used.	Hub or Spoke Wheel with 6 hole cap	6	6	3/8	343-4080	330-3060
Oil Seal 320-2056 installs in bearing cup bore.						
Axle ring must extend 1/16" over bearing cone. Oil seal 320-2050 installs in bearing cup bore.	Hub or Spoke Wheel	6	3-7/8	5/16	340-4198	330-3119
Includes O-ring 355-5505 . With 2 1/2" inner bearing journal, June, '71 up, use 382-8062 set.	Aluminum Hub	6	5-7/8	5/16	343-4025	330-3025
Includes O-ring 355-5506 .	Spoke Wheel & Aluminum Hub	6	5-7/8	5/16	343-4025	330-3025
	Steel Hub	6	5-1/4	5/16	340-4031	330-3031
Oil seal 320-2017 installs in bearing cup bore	Dayton & Gunitite Wheel Hub	6	5-1/8	5/16	340-4042	330-3041
		6	5-1/8	5/16	340-4066	330-3041
Ford 9000# axle, Code N (FD-900), with 15x3 or 15x3-1/2 wedge brakes. With other brakes, use 382-8036 set (4.842" seal bore).	Ford Hub C5TA-1102-H, C5TA-1103-C	6	4-1/2	5/16	340-4024	330-3024

*For hub cap with pipe plug use 343-prefix.

Hub caps sold separately!

Standard Hub-Seal Sets

Wheel Set No.	Wheel Set Components (1 Each per Set)		Inner Bearing Cup/Cone	Outer Bearing Cup/Cone	Universal Axle Tool Head*	Fleet Hub Tool**	Bearing Guide
	Axle Ring	Oil Seal					
382-8028	310-1028	320-2028	752/756A	HM212011/ HM212046 HM212011/ HM212047	555-5067	551-5385	N/A
382-8032	310-1032	320-2032	HM212011/ HM212049	3720/3782	NONE	551-5388	570-0020
382-8034	310-1034	320-2034	HM212011/ HM212047	3720/3779 45220/45282	555-5066	551-5387	570-0019
382-8036	310-1036	320-2036	39520/39581	3525/3585	555-5062	551-5346	570-0017
			HM212011/ HM212044 (553X/557A) (PRE 1959)	3720/3782	555-5061	551-5346	570-0018
			HM212011/ HM212049 HM212011/ HM212049X-X1	3720/3782	555-5098	551-5346	570-0020
			HM212011/ HM212047	3720/3782	555-5066	551-5346	570-0019
For Guardian® Seal No. 308-0836, see page 26.							
For Voyager® Seal No. 383-0136, see page 30.							
For Discover® Seal No. 383-0236, see page 30.							
For Endeavor® Seal No. 383-0336, see page 30.							

*Use 555 series Tool Heads with Universal Axle Tool body **555-0001** (installs axle/deflector rings).

** Use 551 series tools with new Universal Tool Handle **551-0001** (installs 320 series seals).

Very Important! These seal sets must be installed with the tools listed in this catalog!

Remarks	Hub or Wheel	Hub Cap Mounting			Hub Cap 1 Each*	
		No. Bolts	Bolt Circle	Bolt Size	Hub Cap w/ Gasket	Gasket Number
Ford axle code F. 1970 up, use 382-8045 set.	Hub within 98" limit	6	5-7/8	5/16	340-4036	330-3035
	Spoke Wheel Dayton within 98" limit	6	5-1/2	5/16	340-4046	330-3009
	Spoke Wheel Gunite within 98" limit	6	5-1/2	5/16	340-4095	330-3009
Includes O-ring 355-5507 .	Hub within 96" limit	6	5-7/8	5/16	343-4092	330-3025
	Hub & Spoke Wheel after late 1965	6	4-1/2	5/16	340-4024	330-3024
	Freightliner Hub	6	6-5/8	1/4	343-4034	330-3034
Oil seal 320-2034 installs in bearing cup bore. GMC F-120 before 1985.	GMC Spoke Wheel Nos. 618187, 618188, 610191, 610192.	6	5-1/8	5/16	340-4042	330-3041
See 382-8071 for later models.	Motor Wheel Hub 85385, Gunite F-2070	6	5-1/8	5/16	340-4066	330-3041
Ford 9000# axle,	Brockway - Gunite Spoke Code N (FD-900), with Wheel FA-670, FB-670	6	5-1/2	5/16	340-4009	330-3009
15x3 or 15x3-1/2 wedge brakes use 382-8027 set.	R/S Hub A-333-M-2187	6	4-1/2	5/16	340-4024	330-3024
	Mack Western-R/S Hub A 333-M-2197	6	4-1/2	5/16	340-4024	330-3024
GMC only (FE-900), prior to 1960, use 310-1036 & 320-2031 .	Gunite Spoke Wheel FA-670, FB-670	6	5-1/2	5/16	340-4095	330-3009
	Gunite F20-20X, F20-34, 1785	4	5	1/4	340-4028	330-3028
	Gunite F22-58, F20-58, F20-26, F22-26, F20-57, F22-57	4	5	5/16	340-4186	330-3028
	Dayton F-8226, F-8321, 02, 09021 and Webb 9503, 9523	6	5-1/8	5/16	340-4042	330-3041
	Dodge Spoke Wheel, K-W Hub	6	5-1/2	5/16	340-4249	330-3122
	Budd 100122, Dayton 9807	6	5-1/2	5/16	340-4095	330-3009
	White, Volvo White, Volvo GM-Spoke and hub					
	Mack Western Spoke Wheel					
	Dayton F-7428, F-7444, F-7468, F-74981, F-7482, F-7483, F-7484, F-9066	6	5-1/8	5/16	340-4066	330-3041
	Freightliner Aluminum Hub	6	6-5/8	1/4	340-4034	330-3034
	Kenworth, Peterbilt Alum. Hub	6	5-9/16	5/16	340-4149	330-3097

*For hub cap with pipe plug use 343-prefix.

Hub caps sold separately!

Standard Hub-Seal Sets

Wheel Set No.	Wheel Set Components (1 Each per Set)		Inner Bearing Cup/Cone	Outer Bearing Cup/Cone	Universal Axle Tool Head*	Fleet Hub Tool**	Bearing Guide
	Axle Ring	Oil Seal					
382-8039 (Obsolete)	310-1038	320-2039	663/641 HM212011/ HM212049	65320/65385 45220/45280	NONE	551-5395	570-0020
For Voyager® Seal No. 383-0139, see page 30.							
For Discover® Seal No. 383-0239, see page 30.							
382-8044	310-1008	320-2105	45220/45284	2720/2780 25820/25880	555-5064	551-5351	N/A
382-8045	310-1028	320-2041	752/756A	HM212011/ HM212046 HM212011/ HM212047	555-5067	551-5398	N/A
382-8052	310-1009	320-2181	6320/6386A 5735/5760	532A/537 39520/39590	555-5060	551-5349	570-0020
382-8053	310-1093	320-2181	632/641	3920/3979	555-5060	551-5349	570-0020
			H715311/ H715345	3920/3979	555-5070	551-5349	570-0021
			HM212011/ HM212049	28622/28682	555-5060	551-5349	570-0020
For Guardian® Seal No. 308-0853, see page 26.							
For Voyager® Seal No. 383-0153, see page 30.							

*Use 555 series Tool Heads with Universal Axle Tool body **555-0001** (installs axle/deflector rings).

** Use 551 series tools with new Universal Tool Handle **551-0001** (installs 320 series seals).

Very Important! These seal sets must be installed with the tools listed in this catalog!

Remarks	Hub or Wheel	Hub Cap Mounting			Hub Cap 1 Each*	
		No. Bolts	Bolt Circle	Bolt Size	Hub Cap w/ Gasket	Gasket Number
Includes O-ring 355-5507 . Use 551-5413 Tool for Voyager® and Discover®.	Spoke Wheel & Aluminum Hub Gunitite Spoke Wheel FA-704, FB-704"	6	5-7/8	5/16	343-4025	330-3025
	Gunitite Malleable Hub H-312 Mack Western - Mack Alum. Hub 6QJ-456					
	Steel Hub	6	5-1/4	5/16	340-4031	330-3031
	Hub or Wheel	4	3-5/8	5/16	340-4065	330-3040
	Hub within 98" limit	6	5-7/8	5/16	340-4036	330-3035
Axle ring 310-1009 includes machined shoulder bushing 364-6414 . This shoulder bushing is reusable if not removed or damaged. Service with 382-8053 or 308-0853 . Use Universal Axle Tool Head 555-5060 .	Dayton within 98" limit	6	5-1/2	5/16	340-4046	330-3009
	Gunitite 98" limit	6	5-1/2	5/16	340-4095	330-3009
	Hub within 96" limit	6	5-7/8	5/16	340-4092	330-3025
	Hub or Spoke Wheel	6	5-1/8	5/16	340-4066	330-3041
Hub within 97"	RTS (Bus)	6	5-7/8	1/2	343-4099	330-3080
	Hub or Wheel within 96" limit	6	5-1/2	5/16	340-4046	330-3009
	Hub within 96" limit	6	5-1/2	5/16	340-4249	330-3122
Spoke Wheel within 97" limit	6	5-1/2	5/16	340-4095	330-3009	

*For hub cap with pipe plug use 343-prefix.

Hub caps sold separately!

Standard Hub-Seal Sets

Wheel Set No.	Wheel Set Components (1 Each per Set)		Inner Bearing Cup/Cone	Outer Bearing Cup/Cone	Universal Axle Tool Head*	Fleet Hub Tool**	Bearing Guide
	Axle Ring	Oil Seal					
382-8056	310-1093	320-2199	H715311/ H715345 632/641	552A/555S 28622/28682	555-5070	551-5344	570-0021
For Guardian® Seal No. 308-0856, see page 26.							
For Voyager® Seal No. 383-0156, see page 32.							
382-8060	310-1041	320-2023	5735/5760 6420/6461	45220/45287 612/621	NONE	551-5401	570-0022
382-8062	310-1051	320-2125	39520/39585	25520/25572	NONE	551-5388	570-0019
382-8063	310-1036	320-2133	39520/39581	3525/3585	555-5062	551-5353	570-0017
			45220/45284	25820/25880	555-5064	551-5353	N/A
For Guardian® Seal No. 308-0863, see page 26.							
382-8064	310-1037	320-2137	6420/6461A	552A/555S 3979/3920	555-5007	551-5327	570-0022
For Guardian® Seal No. 308-0864, see page 28.							
For Voyager® Seal No. 383-0164, see page 32.							
For Discover® Seal No. 383-0264, see page 32.							

*Use 555 series Tool Heads with Universal Axle Tool body **555-0001** (installs axle/deflector rings).

** Use 551 series tools with new Universal Tool Handle **551-0001** (installs 320 series seals).

Very Important! These seal sets must be installed with the tools listed in this catalog!

Remarks	Hub or Wheel	Hub Cap Mounting			Hub Cap 1 Each*	
		No. Bolts	Bolt Circle	Bolt Size	Hub Cap w/ Gasket	Gasket Number
Use 308-0855 for FA109 1979 & up Spoke wheel number 454593-C2. 308-0855 must be used with hydraulic brakes after '75. FA-109 comes with hydraulic brakes.	Hub within 97"	6	5-1/2	5/16	340-4046	330-3009
	Hub or Wheel within 96" limit	6	5-1/2	5/16	340-4249	330-3122
	Spoke Wheel within 97" limit	6	5-1/2	5/16	340-4095	330-3009
Includes O-ring 355-5510	Spoke Wheel & 13-3/16 BC Hub	6	5-7/8	5/16	343-4025	330-3025
Includes O-ring 355-5506 . Oil seal 320-2125 installs in bearing cup bore. Prior to June 1971, use 382-8010 set.	Spoke Wheel & Aluminum Hub	6	5-7/8	5/16	343-4025	330-3025
Ford 9000# 1975-1984. Ford 9000# 1984 up.	Hub or Wheel	4	5	5/16	340-4186	330-3120
Mack	Dayton F-8749, 9410, 14402 Mack, Western, R/S hub A-333-F-3204. Gunite	6	5-1/2	5/16	340-4249	330-3122
	FA-504, 534, 674, FB-400, 674 674, FC-400, 401, 674, Hub H-299	6	5-1/2	5/16	340-4046	330-3009
	Brockway R/S Hub A-333 -P-2304,	3	5-9/16	5/16	340-4049	330-3042
	A-333-J-1206, A-333-W-1089 A-333-Y-1091	6	5-1/2	5/16	343-4249	330-3122
	Dayton F-8702, Gunite F-20-316	6	5-1/8	5/16	340-4066	330-3041
	Dayton FN-8702, 8749, 8863, 9432, 9837, 14002, 3, 4, Gunite FA FB FC 705	6	5-1/2	5/16	340-4095	330-3009
	R/S Hub A-333-G-2113, Peterbilt, K/W K/W K-150-D-204	6	5-9/16	5/16	340-4149	330-3097
	Mack Spoke Wheel 19QJA318	6	5-1/2	5/16	340-4098	330-3009

*For hub cap with pipe plug use 343-prefix.

Hub caps sold separately!

Standard Hub-Seal Sets

Wheel Set No.	Wheel Set Components (1 Each per Set)		Inner Bearing Cup/Cone	Outer Bearing Cup/Cone	Universal Axle Tool Head*	Fleet Hub Tool**	Bearing Guide
	Axle Ring	Oil Seal					
382-8066	310-1008	320-2164	JM207010/ JM207049A	25820/25877	555-5088	551-5366	570-0036
			JM205110/ JM205149A	25820/25877	555-5089		570-0033
For Guardian® Seal No. 308-0866, see page 28.							
For Voyager® Seal No. 383-0166, see page 32.							
382-8071	310-1034	320-2216	HM212011/ HM212047	45220/45282	555-5066	551-5403	570-0019
For Voyager® Seal No. 383-0171, see page 32.							

*Use 555 series Tool Heads with Universal Axle Tool body **555-0001** (installs axle/deflector rings).

** Use 551 series tools with new Universal Tool Handle **551-0001** (installs 320 series seals).

Very Important! These seal sets must be installed with the tools listed in this catalog!

Front Axles

Remarks	Hub or Wheel	Hub Cap Mounting			Hub Cap 1 Each*	
		No. Bolts	Bolt Circle	Bolt Size	Hub Cap w/ Gasket	Gasket Number
	Hub or Wheel	4	3-5/8	5/16	340-4065	330-3040
GMC F-120, F-120D axles, 1985 Up with 5" seal bore.	Dayton-Walther 12-14894	6	5-1/8	5/16	340-4042	330-3041
		6	5-1/8	5/16	340-4066	330-3041

*For hub cap with pipe plug use 343-prefix.

Hub caps sold separately!

Guardian®/ Guardian® HP Hub-Seals


Guardian®/ Guardian®HP Seal No.	Inner Bearing Cup/Cone	Outer Bearing Cup/Cone	Universal Axle Tool Head*	Grit Guard® Equiv.	Voyager® Discover® Equiv.	Remarks
309-0903**	572/580 572/582	563/567	555-5072	392-9094	393-0103 393-0203	Mack Western 11QJA-191, -192 hub and drum assembly, or Motor Wheel 87125 hub or 87119-B or 87226-F hub and drum assembly with 582 inner cone must use OEM bearing spacer 35AX-1411. Install OEM spacer before installing axle ring. Press axle on until flush with bearing side of bearing spacer.
309-0904	652/663 HM516410/ HM516449,-C	572/575 47620/47679	555-5072	392-9112	393-0104 393-0204	Use OEM bearing spacer 35AX790 or 35AX1411. Use G/G set 392-9130 with inner bearing HM516449A. Use 309-0904 only with ABS Brakes. Tech Tip 15.
	HM516410/ HM516449A	47620/47679	555-5073	392-9130		
309-0912	47620/47685 47620/47686	39520/39590	555-5031	392-9099	393-0112 393-0212	Do not use OEM oil seal spacer ring. Use with 5.687 bore only. Will not replace 320-2102 on GMC-Chev. For GMC/Chev. with 5.500" bore, use 309-0915 . For Navistar w/ 39585 outer cone, use 392-9099 .
	47620/47678 5735/5760	39520/39590 572/575	555-5074			
309-0915	47620/47686	39520/39590	555-5031	392-9099	393-0115	Do not use OEM oil seal spacer ring. "Use with 5.500" bore only. GMC.
309-0935	33462/33287 1962 up	3920/3982	555-5011	392-9035	N/A	
	33462/33281 thru 1961	3929/3982	555-5002			

* Use 555 series Tool Heads with Universal Axle Tool body **555-0001**.

** HP Design

Very Important! These seal sets must be installed with the tools listed in this catalog!

Guardian®/ Guardian® HP Hub-Seals

Guardian®/ Guardian®HP Seal No.	Inner Bearing Cup/Cone	Outer Bearing Cup/Cone	Universal Axle Tool Head*	Grit Guard® Equiv.	Voyager® Discover® Equiv.	Remarks
309-0948 Only	672/687	772/780 52618/52400	555-5004	392-9089	393-0148 N/A	309-0048 and 392-9089 will not fit S582 or S652 after June, 1998. use 393-0148 on these axles after June, 1998.
	772/780	772/776 77675/77375 854/864				
309-0957	493/495AX	39520/39590	555-5074	NONE	N/A	Ford 1970 Up, thru 1969 use 392-9018 .
	33462/33287	3920/3982	555-5011	NONE	N/A	GMC 1982 Up, thru 1981 use 392-9018 .
309-0960	592A/598A	572/580 572/582	555-5071	392-9132	N/A	GMC - Some aluminum hubs use 309-0973 seal.
	592A/594A	572/580 572/582	555-5076			
	592A/598A	HM617010/ HM617049	555-5071	392-9081 	N/A	Mack application
309-0961	572/580 572/582 653/663A	47620/42687 47620/42688	555-5072	392-9095	N/A	
309-0964	592A/594 592A/594A	572/580	555-5076	392-9088	N/A	
309-0965	592A/595 592A/598	572/580 572/575	555-5072 555-5071	392-9096	N/A	On Eaton 42D, replace OEM bearing spacer with 357-5706 if damaged. Dimensions: OD 4.375, ID 4.150, width .688
	592A/598	752/758 653/665 HM617010/ HM617049	555-5071	392-9092		
309-0970	672/681A	572/575 572/580	555-5071	392-9087	N/A	Some axles may require bushings. Shoulders with 4.375" diameter use 364-6402 bushing. Shoulders with 4.500" diameter use 364 6435 bushing. If axle has factory installed shoulder bushing, leave it in place and reuse if not damaged.
	672/683 672/683XA	572/580	555-5076			

*Use 555 series Tool Heads with Universal Axle Tool body **555-0001**.
Set

 Standard

Very Important! These seal sets must be installed with the tools listed in this catalog!

Guardian®/ Guardian® HP Hub-Seals

Guardian®/ Guardian®HP Seal No.	Inner Bearing Cup/Cone	Outer Bearing Cup/Cone	Universal Axle Tool Head*	Grit Guard® Equiv.	Voyager® Discover® Endeavor® Equiv.	Remarks
309-0973** □	592A/598A	572/580	555-5071	392-9131	393-0173 393-0273 393-0373	Special note for Dodge, Freightliner, Kenworth and Peterbilt using this set on Eaton axles w/ Meritor hubs or wheels: Eaton 18 series single or 38D tandem with 4.375 spindle shoulder require shoulder bushing 364-6402 to be installed before axle ring. Eaton 19 series single or 44D tandem with 4.500 spindle shoulder require shoulder bushing 364-6435 to be installed before axle ring. Shoulder bushings and axle rings must be installed flush with spindle shoulder face. Shoulder bushings are not part of set and must be ordered separately. If axle has factory installed shoulder bushing, leave it in place and reuse if not damaged. Shoulder bushings are not required on Eaton axles if shoulder is already machined to 4.767. For wheel ends using 681A to 4.767. X bearing refer to 392-9087 set. Hub cap 340-4119 and gasket 330-3090 available for tag and pusher use. 364-6402 OD 4.776, ID 4.369, Width .980 364-6435 OD 4.767, ID 4.500, Width .950.
	592A/598	572/575	555-5071			
	592A/594	572/580	555-5076			
	592A/594A	572/580	555-5076			

*Use 555 series tool heads with Universal Axle Tool body **555-0001**.

**HP Design

□ Will not work on Freightliner with Wagner Anti-Skid or Motorola 22-14670-14 Electronic Speedometers. Use **320-2106** and **310-1111**.

Very Important! These seal sets must be installed with the tools listed in this catalog!

SS4 Hub-Seals

Guardian®/ Guardian®HP Seal No.	Inner Bearing Cup/Cone	Outer Bearing Cup/Cone	Universal Axle Tool Head*	Grit Guard® Equiv.	Voyager® Discover® Endeavor® Equiv.	Remarks
391-0138 □	32219	32218	555-5292	N/A	N/A	Isuzu FVR, Chev, GMC W7HV
391-0139 □	32216	32215	555-5296	N/A	N/A	Isuzu FTR, Chev, GMC W7
391-9066 □	594A		555-5076	392-9066	N/A	Van Hool Bus

* Use 555 series tool heads with Universal Axle Tool body **555-0001**.
 □ SS4 Seal

Very Important! These seal sets must be installed with the tools listed in this catalog!

Voyager®/Discover®/Endeavor® Hub-Seals

Voyager®/ Discover®	Inner Bearing Cup/Cone	Outer Bearing Cup/Cone	Fleet Hub Tool	Bearing Guide	Guardian® Equiv.	Grit Guard® Equiv.	Remarks
393-0103 393-0203	572/580 572/582	563/567	551-5415	570-0023	309-0903	392-9094	Mack Western 11QJA-191, -192 hub and drum assembly or motor wheel 87125 hub or 87119-B or 87226-F hub and drum assembly with 582 inner cone must use OEM bearing spacer 35AX-1411.
393-0104 393-0204	652/663 HM516410/ HM516449, -C	572/575 47620/47679	551-5414	570-0023	309-0904	392-9112	Mack application, use OEM bearing spacer, #35AX790 or 35AX1411. Note: For cast axle housing only. With HM516449A see 392-9130 set.
393-0112 393-0212	47620/47685 47620/47686 47620/47678 5735/5760	39520/39590 39520/39585 572/575	551-5416	570-0023 570-0022	309-0912	392-9099	Note: Not for use with 5.5" bores. See 309-0915 .
393-0115	47620/47686	39520/39590	551-5424	570-0023	309-0915	392-9099	Do not use OEM oil seal spacer ring. Use with 5.5" bore only. GMC. Use Hub tool 557-5518 with 392-9099
393-0134	6535/6580 6535/6559	653/663 653/663	551-5421 551-5421	570-0025 570-0023	N/A	392-9034	
393-0148	672/687 772/780	772/780 52618/52400 772/776 776575/77375 854/864	551-5400	570-0032	309-0948	392-9089	

*Use 551 series Tool Heads with Universal Tool Handle **551-0001**.

Very Important! These seal sets must be installed with the tools listed in this catalog!

Voyager®/Discover®/Endeavor® Hub-Seals

Voyager®/ Discover®/ Endeavor®	Inner Bearing Cup/Cone	Outer Bearing Cup/Cone	Fleet Hub Tool	Bearing Guide	Guardian® Equiv.	Grit Guard® Equiv.	Remarks
393-0173 393-0273 393-0373	592A/598A	572/580	551-5320	570-0027	309-0973	392-9131	<p>Special note for Dodge, Freightliner, Kenworth and Peterbilt using this set on Eaton axles with Meritor hubs or wheels:</p> <p>Eaton 18 series single or 38D tandem with 4.375 spindle shoulder require shoulder bushing 364-6402 to be installed before axle ring.</p> <p>Eaton 19 series single or 44D tandem with 4.500 spindle shoulder require shoulder bushing 364-6435 to be installed before axle ring.</p> <p>Shoulder bushings and axle rings must be installed flush with spindle shoulder face.</p> <p>Shoulder bushings are not part of set and must be ordered separately.</p> <p>If axle has factory installed shoulder bushing, leave it in place and reuse if not damaged.</p> <p>Shoulder bushings are not required on Eaton axles if shoulder is already machined to 4.767.</p> <p>For wheel ends using 681A inner bearing refer, to 392-9087 set.</p> <p>Hub cap 340-4119 and gasket 330-3090 available for tag and pusher use.*</p> <p>364-6402 – OD 4.776, ID 4.369, Width .980</p> <p>364-6435 – OD 4.767, ID 4.500, Width .950.</p>
	592A/598	572/575					
	592A/594	572/580	551-5320	570-0028			
	592A/594A	572/580					

*Use 551 series tool heads with Universal Axle Tool body **551-0001**.

Very Important! These seal sets must be installed with the tools listed in this catalog!

Standard Hub-Seal Sets

Wheel Set No.	Wheel Set Components (1 Each per Set)		Inner Bearing Cup/Cone	Outer Bearing Cup/Cone	Universal Axle Tool Head*	Fleet Hub Tool**	Bearing Guide	Remarks
	Axle Ring	Oil Seal						
392-9001	310-1095	320-2001	752/758	663/665	555-5069	551-5398	570-0024	
			752/760	742/749	555-5079	551-5398	570-0026	
392-9007	310-1007	320-2096	652/663 HM516410/ HM516449	572/575 47620/47679	555-5072	551-5390	570-0023	For steel axle housing only. Cast housings use 310-1088 and 320-2213 .
392-9012	310-1012	320-2012	47620/47686	39520/39590	555-5031	551-5405	570-0023	Do not use Ford seal spacer -7EQH-1180, nor IHC seal spacer no. 24868-H, nor White seal spacer no. 303786 with STEMCO seal no. 320-2012 .
			47620/47678	39520/39585	555-5074	551-5405	570-0022	
			5735/5760	572/575				
			For Guardian® Seal No. 309-0912, see page 44.					
			For Voyager® Seal No. 393-0112, see page 48.					
392-9018	310-1018	320-2029	493/495AX	3920/3984	555-5074	551-5386	570-0022	This seal set used on Ford applications thru 1969 and GMC/Chev thru 1981. Ford 1970 & up and GMC 1982 & up use 392-9057 .
392-9032	310-1053	320-2109	572/580	563/567	555-5072	551-5313	570-0023	
			572/575	572/575	555-5074	551-5313	570-0022	
392-9033	310-1093	320-2058	742/749A	653/663	555-5072	551-5303	570-0023	Gaskets 330-3064 , 330-3065 , 330-3071 , order retainer separately. Match correct gasket to retainer. Axle ring 310-1093 installs over OEM bearing spacer flush with the bearing side. Do not use OEM seal spacer with STEMCO oil seal.
			6535/6559					

* Use 555 series Tool Heads with Universal Axle Tool body **555-0001** (installs axle/deflector rings).

** Use 551 series tools with new Universal Tool Handle **551-0001** (installs 320 series seals).

Use Universal Tool Body 555-0001 with 551 Series Tool Heads.

Standard Hub-Seal Sets

Wheel Set No.	Wheel Set Components (1 Each per Set)		Inner Bearing Cup/Cone	Outer Bearing Cup/Cone	Universal Axle Tool Head*	Fleet Hub Tool**	Bearing Guide	Remarks
	Axle Ring	Oil Seal						
392-9034	310-1066	320-2061	6535/6580	653/663	555-5023	551-5356	570-0025	Retainer gasket 330-3064 sold separately. Axle ring 310-1066 installs over OEM bearing spacer flush with bearing side. STEMCO bearing spacer 310-1123 replaces GMC spacer 2302130 but must be ordered separately.
			6535/6559	653/663	555-5072	551-5356	570-0023	
For Voyager® Seal No. 393-0134, see page 48.								
392-9035	310-1062	320-2057	33462/33281 thru 1961	3920/3982	555-5002	551-5353	N/A	Oil seal 320-2057 installs in bearing cup bore.
			33462/33287 1962 Up	3920/3982	555-5011			
For Guardian® Seal No. 309-0935, see page 44.								
392-9036	310-1063	320-2057	33462/33281 33462/33287	39520/39585	555-5002 555-5011	551-5353	570-0021	Oil seal 320-2057 installs in bearing cup bore.
392-9038	310-1064	320-2072	3920/3984	453X/462	555-5097	551-5308	570-0020	Oil seal 320-2072 installs in bearing cup bore.
392-9045	SEE FOOTNOTE 1	320-2091	33472/33287	3925/3982	555-5011	551-5312	N/A	Oil seal 320-2091 seals on OEM spacer sleeve, GMC or Chev. No. 3880944 or 3874372. Replace, if worn. Obtain from GMC-Chev. dealer. 1966 15000# uses 33287 & 3982 cones. 1967 up 15000# uses 33281 & 3984 cones.
			33472/33281	3925/3984	555-5002		N/A	
			493/495AX	39520/39590	555-5074		570-0022	
			47620/47686	39520/39590	555-5031		570-0023	
392-9053	310-1089	320-2099	772/782	742/749	555-5016	551-5317	N/A	Replace worn seal with 320-2059 (component of 320-2099). Press oil seal into retainer so leather lip points toward oil side. Do not hammer on seal. National AR-23 ring must be removed.

1 Check type of OEM axle ring used. Stepped type OEM ring No. 3874372 must be replaced with same OEM number. Flat type axle ring No. 3880944 can be replaced with either the OEM ring or STEMCO part No. **310-1117**.
NOTE: Axle ring must be ordered separately. It is not part of set No. **392-9045**.

* Use 555 series Tool Heads with Universal Axle Tool body **555-0001** (installs axle/deflector rings).

** Use 551 series tools with new Universal Tool Handle **551-0001** (installs 320 series seals).

Use Universal Tool Body 555-0001 with 555 Series Tool Heads.

Standard Hub-Seal Sets

Wheel Set No.	Wheel Set Components (1 Each per Set)		Inner Bearing Cup/Cone	Outer Bearing Cup/Cone	Universal Axle Tool Head*	Fleet Hub Tool**	Bearing Guide	Remarks
	Axle Ring	Oil Seal						
392-9057	310-1018	320-2104	33462/33287	3920/3982	555-5011	551-5383	N/A	This seal set used on Ford 1970 & up and GMC 1982 & up. Ford prior to 1970 & GMC prior to 1982 use 392-9018 .
			493/495AX	39520/39590	555-5074			
For Guardian® Seal No. 309-0957, see page 45.								
392-9062	310-1103	320-2001	752/760	742/749	555-5079	551-5398	570-0026	
392-9063	310-1104	320-2077	127627/ 188931	149521/ 188933	555-5054	551-5362	570-0017	
			382A/387AS	LM104911/ LM104949	555-5062			
			7451691/ 7451929	7451813/ 7451814				
392-9066	310-1107	320-2115	592A/594A		555-5076	551-5356	570-0028	Van Hool Bus application.
392-9081	310-1079	320-2009	592A/598A	HM617010/ HM617049	555-5071	551-5356	570-0027	Mack only.
For Guardian® Seal No. 309-0960, see page 45.								
392-9111	310-1233	320-2233	593X/594	593X/594	555-5076	551-5404	570-0028	Mack Midliner. Mack slinger ring models 1987 & earlier.

* Use 555 series Tool Heads with Universal Axle Tool body **555-0001** (installs axle/deflector rings).

** Use 551 series tools with new Universal Tool Handle **551-0001** (installs 320 series seals).

Use Universal Tool Handle 551-0001 with 551 Series Tool Heads.

Grit Guard® Hub-Seal Sets

Wheel Set No.	Wheel Set Components (1 Each per Set)		Inner Bearing Cup/Cone	Outer Bearing Cup/Cone	Universal Axle Tool Head*	Fleet Hub Tool**	Bearing Guide	Remarks
	Deflector Ring	Oil Seal						
392-9087	315-1502	320-2162	672/681A	572/575 572/580	555-5071	551-5333	570-0027	Special note for all Meritor R-143 & White Western Star 44D prior to Sept. 1973. These axles have 4.500 spindle shoulder diameter and require shoulder bushings 364-6435 to be installed before axle ring. Shoulder bushing and axle rings must be installed flush with spindle shoulder face. Shoulder bushings are not part of set and must be ordered separately. If axle has factory installed shoulder bushing, leave it in place & reuse if not damaged.
			672/683 672/683XA	572/580	555-5076	551-5333	570-0028	
For Guardian® Seal No. 309-0970, see page 45.								
392-9088	315-1517	320-2113	592A/594 592A/594A	572/580	555-5076	551-5412	570-0028	Oil seal 320-2113 installs in bearing cup bore.
For Guardian® Seal No. 309-0964, see page 45.								
392-9089	315-1516	320-2097	672/687 772/780	772/780 52618/52400 772/776 77675/77375 854/864	555-5004	551-5400	570-0032	Use OEM bearing spacer #37AX335. 320-2059 is a component of 320-2097 . Must replace with the 320-2097 seal. 392-9089 and 309-0948 will not fit S582 or S652 after June 1998. Only use 393-0148 on these axles after June 1998. Won't fit 58,000 Mack 2000/2001.
For Guardian® Seal No. 309-0948, see page 45.								
For Voyager® Seal No. 393-0148, see page 48.								
392-9092	315-1508	320-2131	592A/598	752/758 653/665 HM617010/ HM617049	555-5071	551-5363	570-0027	Mack.
For Guardian® Seal No. 309-0965, see page 45.								

* Use 555 series Tool Heads with Universal Axle Tool body **555-0001** (installs axle/deflector rings).

** Use 551 series tools with new Universal Tool Handle **551-0001** (installs 320 series seals).

Use Universal Tool Body 555-0001 with 555 Series Tool Heads.

Grit Guard® Hub-Seal Sets

Wheel Set No.	Wheel Set Components (1 Each per Set)		Inner Bearing Cup/Cone	Outer Bearing Cup/Cone	Universal Axle Tool Head*	Fleet Hub Tool**	Bearing Guide	Remarks								
	Deflector Ring	Oil Seal														
392-9094	315-1511	320-2129	572/580 572/582	563/567	555-5072	551-5393	570-0023	Mack Western 11QJA-191, -192 hub and drum assembly or motor wheel 87125 hub or 87119-B or 87226-F hub and drum assembly with 582 inner cone must use OEM bearing spacer 35AX-1411. Install OEM bearing spacer before installing axle ring. Press axle ring on until flush with bearing side of bearing spacer.								
									For Guardian® Seal No. 309-0903, see page 44.							
									For Voyager® Seal No. 393-0103, see page 48.							
									For Discover® Seal No. 393-0203, see page 48.							
392-9095	315-1509	320-2117	572/580 572/582 653/663A	42620/42687	555-5072	551-5325	N/A									
									For Guardian® Seal No. 309-0961, see page 45.							
392-9096	315-1508	320-2114	592A/595	572/580	555-5072	551-5412	570-0023	Oil seal 320-2114 installs in bearing cup bore. For use with Eaton 42D replace OEM bearing spacer with 357-5706 if damaged. Dimensions: OD 4.375, ID 4.150, width .688.								
			592A/598	572/575	555-5071	551-5412	570-0027									
For Guardian® Seal No. 309-0965, see page 45.																
392-9099	315-1501	320-2102	47620/47685	39520/39590	555-5031	551-5318	570-0023	Oil seal 320-2102 installs in bearing cup bore. Do not use OEM oil seal spacer ring. This set will not fit early axles with 5760 inner bearing cone.								
			47620/47686	39520/39585	555-5074	551-5318	570-0022									
			47620/47678													
			For Guardian® Seal No. 309-0915, see page 44.													
			For Voyager® Seal No. 393-0115, see page 48.													
			For Guardian® Seal No. 309-0912, see page 44.													
For Voyager® Seal No. 393-0112, see page 48.																
For Discover® Seal No. 393-0212, see page 48.																
392-9112	315-1515	320-2213	652/663	572/575	555-5072	551-5364	570-0023	Mack application, use OEM bearing spacer #35AX790 or 35AX1411. Note: For cast axle housing only. With HM516449A see 392-9130 . Only 309-0904 can be used with ABS Brakes.								
			HM516410/	47620/47679												
			HM516449,-C													
			For Guardian® Seal No. 309-0904, see page 44.													
For Voyager® Seal No. 393-0104, see page 48.																
For Discover® Seal No. 393-0204, see page 48.																

*Use 555 series Tool Heads with Universal Axle Tool body **555-0001** (installs axle/deflector rings).

** Use 551 series tools with new Universal Tool Handle **551-0001** (installs 320 series seals).

Use Universal Tool Handle 551-0001 with 551 Series Tool Heads.

Grit Guard® Hub-Seal Sets

Wheel Set No.	Wheel Set Components (1 Each per Set)		Inner Bearing Cup/Cone	Outer Bearing Cup/Cone	Universal Axle Tool Head*	Fleet Hub Tool**	Bearing Guide	Remarks
	Deflector Ring	Oil Seal						
392-9130	315-1519	320-2213	HM516410/ HM516449A	572/575 47620/47679	555-5073	551-5364	570-0023	Mack application, seal set for use with HM516449A only. Do not use bearing spacer. 309-0904 , 393-01 04 and 393-0204 can be used with ABS Brakes. Ref Tech Tip #015.
For Guardian® Seal No. 309-0904, see page 44.								
For Voyager® Seal No. 393-0104, see page 48.								
For Discover® Seal No. 393-0204, see page 48.								
392-9131	■ 315-1525	320-2106	592A/598A	572/580	555-5071	551-5320	570-0027	Special note for Dodge, Freightliner, Kenworth & Peterbilt using this set on Eaton axles with Meritor hubs or wheels: Eaton 18 series single or 38D tandem with 4.375 spindle shoulder require shoulder bushing 364-6402 to be installed before axle ring. Eaton 19 series single or 44D tandem with 4.500 spindle shoulder require shoulder bushing 364-6435 to be installed before axle ring. Shoulder bushings & axle rings must be installed flush with spindle shoulder face. Shoulder bushings are not part of set & must be ordered separately. If axle has factory installed shoulder bushing, leave it in place & reuse if not damaged. Shoulder bushings are not required on Eaton axles if shoulder is already machined to the diameter for the 315-1525 axle ring. For wheel ends using 681A inner bearing refer to 392-9087 set. Hub cap 340-4119 & gasket 330-3090 available for tag and pusher use. This set fits ABS Systems (Anti-lock Brake System)
			592A/598	572/575	555-5071	551-5320	570-0027	
			592A/594	572/580	555-5076	551-5320	570-0028	
			592A/594A	572/580	555-5076	551-5320	570-0028	
For Guardian® Seal No. 309-0973, see page 46.								
For Voyager® Seal No. 393-0173, see page 49.								
For Discover® Seal No. 393-0273, see page 49.								
For Endeavor® Seal No. 393-0373, see page 49.								

■ Will not fit on Freightliner with Wagner Anti-Skid or Motorola 22-14670-14 Electronic Speedometers. Use **310-1111** standard axle ring with **320-2106** oil seal.

* Use 555 series Tool Heads with Universal Axle Tool body **555-0001** (installs axle/deflector rings).

** Use 551 series tools with new Universal Tool Handle **551-0001** (installs 320 series seals).

Use Universal Tool Body 555-0001 with 555 Series Tool Heads.

Grit Guard® Hub-Seal Sets

Wheel Set No.	Wheel Set Components (1 Each per Set)		Inner Bearing Cup/Cone	Outer Bearing Cup/Cone	Universal Axle Tool Head*	Fleet Hub Tool**	Bearing Guide	Remarks
	Deflector Ring	Oil Seal						
392-9132	315-1530	320-2115	592A/598A 592A/594A	572/582 or 580	555-5071 555-5076	551-5356 551-5356	570-0027 570-0028	Oil seal 320-2115 installs in bearing cup bore. Aluminum hubs use 392-9131 set.
For Guardian® Seal No. 309-0960, see page 45.								REF: 392-9081

*Use 555 series Tool Heads with Universal Axle Tool body **555-0001** (installs axle/deflector rings).

** Use 551 series tools with new Universal Tool Handle **551-0001** (installs 320 series seals).

Use Universal Tool Handle 551-0001 with 551 Series Tool Heads.

TECHNOLOGICALLY ADVANCED SEALING SOLUTIONS



Easy Installation

The single piece, unitized design is installed in one step using the yoke bolt to install the press-fit OD.

Repair Sleeves Not Required

The unitized design incorporates a wear ring to provide an ideal running surface for the sealing lip, thus eliminating the need for repair sleeves that often change the seal lip angle during operation, resulting in reduced life.

Eliminate Yoke Wear

Sealing lips are contained in a manner that prevents yoke surface contact from the lip. New yokes will remain new at the sealing point.

Repair 'Grooved' Yokes

The patented SMART features of STEMCO's Unitized Pinion Seal make most yokes reusable due to the wide contact area of the ID.

Eliminate Leak Paths

Bore sealant on the OD and the wide contact area on the ID eliminate leak paths to avoid premature failures.

Reduce Contamination Failures

To promote long life, a labyrinth path with multiple dust lips prevents contamination ingress into the sealing lip and oil.

Long-Life Performance

Fluoroelastomer rubber on the main sealing lip withstands the high heat consistent with pinion seal applications.



A Higher Standard of Performance.™
an EnPro Industries company

UNITIZED PINION SEAL

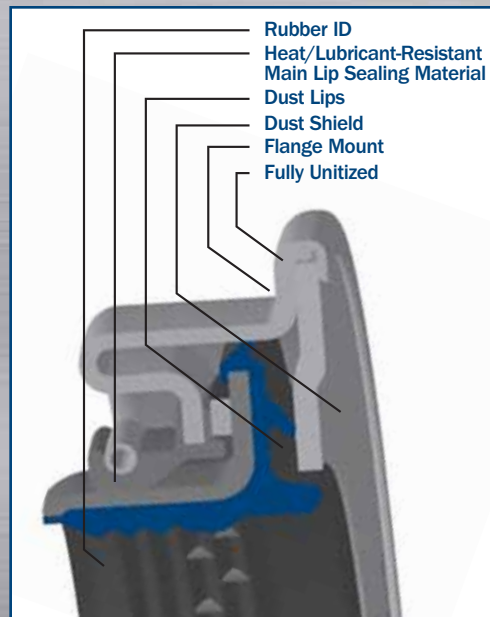
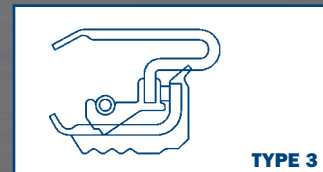
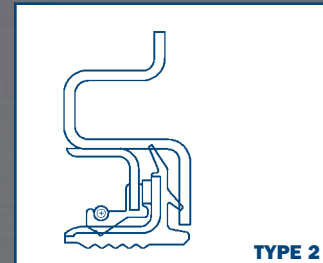
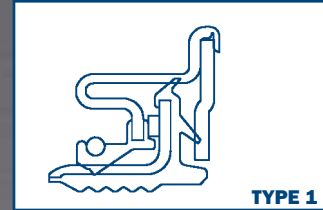
SPECIFICATIONS & INTERCHANGE



A Higher Standard of Performance.SM
an EnPro Industries company

PART NUMBER/ APPLICATION	BORE ID/ YOKE SHAFT OD	TOOL NUMBER	OE NUMBER	SKF NUMBER	NATIONAL NUMBER	DESIGN TYPE
STEMCO No. 429-0002 Mack Front Input	4.500/ 3.500	551-5360	88AX458	34882 34891	415991N	1
STEMCO No. 429-0003 Eaton 400 Rear Input	4.564/ 2.625	551-5001	127721 79470	26373 26378	9773	2
STEMCO No. 429-0004 Eaton 400 Front Output, Eaton 344, 404, 405, 454 Front Output	3.625/ 2.625	551-5003	127720 63910 127592	26200 26209 26239 26762	475003N	3 3
STEMCO No. 429-0005 Meritor SQ100 RT46-160 Front Input	3.751/ 3.003	551-5004	A11205Y2729 A1205P2590 A1205E1227	29865 29867 30007	4810V 100495 415281N	1
STEMCO No. 429-0006 Eaton 402 Front Input Eaton 40, 461-653 series Front Output	4.003/ 2.937	551-5002	127719 A1205U1737 210737	29292 29322 29316 29380	416654 475012N	3
STEMCO No. 429-0007 Meritor R145/160 RT46-160 Front Input	4.249/ 3.253	551-5006	A11205X2728 A1205R2592 A1205P1368 A1205B1926	32385 32397 32410	4543V 100494 416470N	1
STEMCO No. 429-0008 Mack Front Output	3.537/ 2.751	551-5007	88AX456 A1205A1925	27295 27558	4874N 475322N	1
STEMCO No. 429-0009 Mack Rear Input	3.996/ 2.751	551-5008	88AX457	27542 27565	415272N	1
STEMCO No. 429-0010 Meritor SQ100 Rear Input	4.935/ 3.003	551-5009	A11250Z2730 A1205N2588 A1205H2426	30145 30153	3905 4562V 100263	2
STEMCO No. 429-0011 Meritor RT 46-160, 180, 380 Series, Front & Rear Input	5.501/ 3.253	551-5011	A1205Q2591	32870	4544V 100557	2
STEMCO No. 429-0012 Eaton 344, 404, 405 & 454 Front and Rear Input	4.564/ 3.000	551-5012	127591	29528		2

DESIGN TYPES



STEMCO LP - USA
P.O. Box 1989
Longview, TX 75606-1989
(903) 758-9981 · 1-800-527-8492
FAX: 1-800-874-4297
www.stemco.com

STEMCO - Canada
5650 Timberlea Blvd. Unit B
Mississauga, ON L4W 4M6
(905) 206-9922 · 877-232-9111
FAX: 877-244-4555

STEMCO - Australia
Unit 6 CNR Rookwood & Muir Roads
Yagoona NSW 2199
Phone: 011-61-2-8713-2502
FAX: 011-61-2-9793-2544

ISO/TS 16949
STEMCO is a registered trademark
of STEMCO LP ©2012 STEMCO LP
Printed in the USA · Part No. 571-3069
Hudson 10-547 · 3/12



Pinion Seal Specifications

Pinion Seal Specifications by Set Number

Set No.	Bore ID	Yoke Shaft OD	Wear Sleeve	Dust Seal	Oil Seal	Spline OD	Tool No.
460-6001	3.625	2.625	419-1946	429-2945	429-2944	1-3/4 1 31/32	589-8999 589-8994
460-6002	4.562	2.625	419-1946	☐	429-2983	1-3/4 1 31/32	589-8998 589-8987
460-6003	3.937	2.937	419-1981	429-2978	429-2977	2	589-8997
460-6004	3.542	2.750	419-1982	429-2980	429-2979	1-3/4 1 7/8	589-8996 589-8993
460-6006	4.000	2.937	419-1940	429-2937	429-2938	2 2 5/32	589-8990 589-8989
460-6007	4.000	3.000	419-1939	429-2937	429-2938	1-31/32	589-8988
460-6011	4.250	3.250	419-1941	☐	429-2941	2-1/4	☐
460-6012	4.250	3.000	419-1901	☐	429-2901	Any	☐
460-6083	4.250	3.250	419-1983	☐	429-2941	2-1/4	☐
460-6084	4.000	2.937	419-1984	429-2937	429-2938	2 2 5/32	589-8990 589-8989

☐ Oil Seal & Dust Seal are an integral unit

☐ Use Tool 589-8984, 589-8985 or 589-8986

For additional pinion seal information, refer to Pinion Seal catalog 572-0004.

Component part numbers obsolete, sold as sets only.

Universal Axle Tools

Depend on Our Universal Axle Tool for Quick, Accurate Installation



Recognizing that most seal failures can be traced to improper installation, Stemco has designed its Universal Axle Tool to make the procedure simpler, quicker and more consistent. Proper installation also reduces the possibility of more costly spindle damage.

Features and Benefits

▶ A single body with multiple interchangeable heads, the STEMCO Universal Tool saves space and is easy to use.

▶ Heavy duty steel body and induction-hardened heads provide years of useful service.

▶ Each Universal Tool has a sturdy handle for easier handling of the tool body.

▶ Simplifies installation of Standard and Grit Guard® rings, as well as Guardian®.

▶ A tool box is available to store and organize tool body and heads.

Universal Axle Tools By Guardian® Seal Number

Guardian® Seal	Inner Bearing Cone Number	Inner Bearing Cone ID or Spindle OD	Universal Axle Tool Head
307-0713*	663	3.250	555-5100
307-0723*	HM518445	3.500	555-5023
307-0743*	HM218248	3.542	555-5039
307-0744	665A	3.375	555-5069
308-0836*	39581	2.250	555-5062
	HM212044,557A	2.375	555-5061
	HM212049,-X	2.625	555-5098
	HM212047	2.500	555-5066
308-0853	641/HM212049	2.625	555-5060
	H715345	2.812	555-5070
308-0855	641	2.625	555-5060
308-0856	H715345	2.812	555-5070
308-0863	39581	2.250	555-5062
	45284	2.000	555-5064
308-0864*	6461A	3.000	555-5007
308-0866	JM207049	2.165	555-5088
	JM205149	1.968	555-5089
308-0870	JF7049A	2.756	555-5297
309-0903*	580/582	3.250	555-5072
309-0904*	663/HM516449,-C	3.250	555-5072
	HM516449A	3.250	555-5073
309-0912	47685/47686	3.250	555-5031
	47678/5760	3.000	555-5074

Guardian® Seal	Inner Bearing Cone Number	Inner Bearing Cone ID or Spindle OD	Universal Axle Tool Head
309-0915	47685/47686	3.250	555-5031
	47678	3.000	555-5074
309-0935	33287	2.875	555-5011
	33281	2.812	555-5002
309-0948	687/780	4.000	555-5004
309-0957	495AX	3.000	555-5074
	33287	2.875	555-5011
309-0960	594A	3.750	555-5076
	598A	3.625	555-5071
309-0961	580/582/663A	3.250	555-5072
309-0964	594/594A	3.750	555-5076
309-0965	595	3.250	555-5072
	598	3.625	555-5071
309-0970	683XA/683	3.750	555-5076
	681A	3.625	555-5071
309-0973*	594/594A	3.750	555-5076
	598/598A	3.625	555-5071
381-0148**	H414245A	2.688	555-5291
381-0150**	HM212047	2.500	555-5295
391-0138**	32219	3.740	555-5292
391-0139**	32216	3.150	555-5296
391-9066**	594A	3.750	555-5076

* HP Design
** SS4 Seal

Use Universal Tool Body 555-0001 with 555 Series Tool Heads.

Universal Axle Tools By Axle/Deflector Ring Number

Axle Ring	Seal Set	Inner Bearing Cone Number	Inner Bearing Cone ID or Spindle OD	Universal Axle Tool Head
310-1007	392-9007	663, HM516449	3.250	555-5072
310-1008	372-7046	28995	2.469	555-5052
	382-8018	45284	2.000	555-5064
	382-8044	45284	2.000	555-5064
	382-8066	JM207049	2.165	555-5088
	382-8066	JM205149	1.968	555-5089
310-1009	382-8052	6386A	2.625	555-5060
310-1012	392-9012	47686	3.250	555-5031
	392-9012	5760,47678	3.000	555-5074
310-1013	382-8001	6379	2.562	555-5014
	382-8001	6386, 6389	2.625	555-5060
	None	663	3.250	555-5100
310-1017	382-8017	39581	2.250	555-5062
310-1018	392-9018	495AX	3.000	555-5074
	392-9057	495AX	3.000	555-5074
	392-9057	33287	2.875	555-5011
310-1022	372-7022	593	3.500	N/A

Axle Ring	Seal Set	Inner Bearing Cone Number	Inner Bearing Cone ID or Spindle OD	Universal Axle Tool Head
310-1023	372-7024	749, 749S	3.347	555-5024
	None	HM518445	3.500	555-5023
310-1026	None	595	3.250	555-5072
	None	598	3.625	555-5071
310-1027	None	663	3.250	555-5031
310-1028	382-8028	756A	3.125	555-5067
	382-8045	756A	3.125	555-5067
310-1032	382-8032	HM212049	2.625	N/A
310-1034	382-8071	HM212047	3.625	555-5066
310-1036	372-7006	567	2.875	555-5011
	382-8027	39581	2.250	555-5062
	382-8036	557A, HM212044	2.375	555-5061
		HM212047	2.500	555-5066
		HM212049,-X	2.625	555-5098
	382-8063	39581	2.250	555-5062
		45284	2.000	555-5064
310-1037	382-8064	6461A	3.000	555-5007
	None	665A	3.375	555-5069
310-1038	382-8039	HM212049, 641	2.625	N/A

(Continued Next Page)

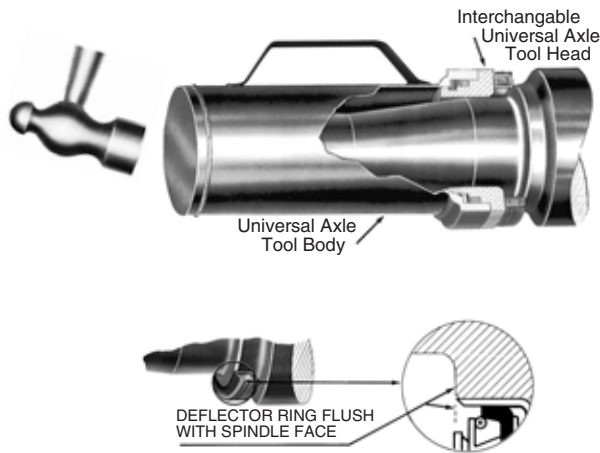
Use Universal Tool Body 555-0001 with 555 Series Tool Heads.

Universal Axle Tools

Universal Axle Tools By Axle/Deflector Ring Number

Axle Ring	Seal Set	Inner Bearing Cone Number	Inner Bearing Cone ID or Spindle OD	Universal Axle Tool Head
310-1041	382-8060	5760, 6461	3.000	N/A
310-1043	372-7015	759	3.500	555-5023
310-1045	None	760	3.562	555-5079
310-1048	None	HM218248	3.542	555-5039
310-1050	382-8010	39578, 4595	2.125	N/A
310-1051	382-8011	559, 3982	2.500	N/A
	382-8062	39585	2.500	N/A
310-1052	382-8009	45284, 45285	2.000	555-5036
310-1053	392-9032	580	3.250	555-5072
	392-9032	575	3.000	555-5074
310-1057	372-7003	663	3.250	555-5031
310-1061	382-8005	3778	1.875	555-5001
310-1062	392-9035	33281	2.812	555-5002
	392-9035	33287	2.875	555-5011
310-1063	392-9036	33281	2.812	555-5002
310-1064	372-7049	JM511946	2.557	555-5055
	392-9038	3984	2.625	555-5097
310-1066	392-9034	6580	3.500	555-5023
	392-9034	6559	3.250	555-5072
310-1079	392-9081	598A	3.625	555-5071
310-1088	None	663, HM516449	3.250	555-5072
310-1089	392-9053	782	4.125	555-5016
310-1093	382-8053	641, HM212049	2.625	555-5060
	382-8053	H715345	2.812	555-5070
	382-8056	H715345	2.812	555-5070
	382-8056	641	2.625	555-5060
	None	580, 582	3.250	555-5072
	None	594, 594A	3.750	555-5076
310-1103	392-9062	760	3.562	555-5079
310-1104	392-9063	387AS, 7451929	2.250	555-5062
	392-9063	188931	2.265	555-5054
310-1107	392-9066	594A	3.750	555-5076

Axle Ring	Seal Set	Inner Bearing Cone Number	Inner Bearing Cone ID or Spindle OD	Universal Axle Tool Head
310-1111	None	598A, 598	3.625	555-5071
	None	594, 594A	3.750	555-5076
	None	683	3.750	555-5076
	None	681A	3.625	555-5071
310-1117	None	495AX	3.000	555-5074
	None	47686	3.250	555-5031
310-1130	372-7062	592A, 593	3.500	555-5023
310-1132	383-8139	663/641	2.625	N/A
	383-8239	HM212011/ HM212049		
310-1233	392-9111	594/593X	3.750	555-5076
315-1501	392-9099	47685, 47686	3.250	555-5031
	392-9099	47678	3.000	555-5074
315-1502	392-9087	681A	3.625	555-5071
	392-9087	683	3.750	555-5076
	392-9097	594A, 598A	3.625	555-5071
315-1503	372-7091	749, 749S	3.347	555-5024
	372-7099	HM518445	3.500	555-5023
315-1504	372-7097	HM218248	3.542	555-5039
315-1506	372-7096	787	4.125	555-5016
315-1507	372-7098	663	3.250	555-5100
315-1508	392-9092	598	3.625	555-5071
	392-9096	598	3.625	555-5071
	392-9096	595	3.250	555-5072
315-1509	392-9095	582, 663A	3.250	555-5072
315-1510	372-7095	665A	3.375	555-5069
315-1511	392-9094	580, 582	3.250	555-5072
315-1515	392-9112	663, HM516449	3.250	555-5072
315-1516	392-9089	687, 780	4.000	555-5004
315-1517	392-9088	594, 594A	3.750	555-5076
315-1519	392-9130	HM516449A	3.250	555-5073
315-1525	392-9131	598A	3.625	555-5071
	392-9131	594A	3.750	555-5076
315-1530	392-9132	594A	3.750	555-5076
	392-9132	598A	3.625	555-5071



Use Universal Tool Body 555-0001 with 555 Series Tool Heads.

Universal Axle Tools By Tool Head Number

Universal Axle Tool Head No.	Inner Cone	Guardian® Seal Axle Ring or Deflector Ring
555-5001	3778	310-1061
555-5002	33281	309-0935 310-1062
555-5004	687,780	309-0948 315-1516 310-1067
555-5007	6461A	308-0864 310-1026 ■ 310-1037
555-5011	33287,567	309-0935 309-0957 310-1036 310-1062
555-5014	6379	310-1013
555-5016	782,787	310-1089 315-1506
555-5023	HM518445 759,6580 592A,593	307-0723 310-1023 310-1043 310-1066 310-1130 315-1503
555-5024	749,749S	310-1005 315-1503
555-5031	47685,47686 663	309-0912 309-0915 310-1012 310-1027 310-1057 310-1091 310-1117 315-1501
555-5036	45284,45285	310-1052
555-5039	HM218248	307-0743 310-1048 315-1504
555-5052	28995	310-1008
555-5054	188931	310-1068 310-1104
555-5055	JM511946	310-1064
555-5060	641, HM212049 6386A, 6386 6389	308-0853 308-0855 310-1009 310-1013 310-1093
555-5061	HM212044, 557A	308-0836 310-1036

Universal Axle Tool Head No.	Inner Cone	Guardian® Seal Axle Ring or Deflector Ring
555-5062	39581,387AS 7451929	308-0836 308-0863 310-1017 310-1036 310-1068 310-1104
555-5064	45284	308-0863 310-1008 310-1036
555-5066	HM212047	308-0836 310-1034 310-1036
555-5067	756A	310-1028
555-5069	665A,758	307-0744 310-1037 310-1095 315-1510
555-5070	H715345	308-0853 308-0856 310-1093
555-5071	598,598A 681A	309-0960 309-0965 309-0970 309-0973 310-1026 310-1028 310-1079 310-1111 315-1502 315-1508 315-1525 315-1530
555-5072	H715345 580,582,663-A HM516449,-A 595,598,6559	308-0856 309-0903 309-0904 309-0961 309-0965 310-1007 310-1026 310-1028 310-1053 310-1066 310-1088 310-1093 315-1508 315-1509 315-1511 315-1515
555-5073	HM516449A	315-1519

Universal Axle Tool Head No.	Inner Cone	Guardian® Seal Axle Ring or Deflector Ring
555-5074	47678,5760 495AX 42688,575	309-0912 309-0957 310-1012 310-1018 310-1053 310-1117 315-1501
555-5076	594A,594,693 683XA,683, 598A	309-0960 309-0964 309-0970 309-0973 310-1093 310-1107 310-1111 310-1233 315-1502 315-1517 315-1525 315-1530 391-9066
555-5079	760	310-1045 310-1095 310-1103
555-5081		310-1007
555-5088	JM207049	308-0866 310-1008
555-5089	JM205149	308-0866 310-1008
555-5098	HM212049,-X	308-0836 310-1036
555-5100	663,6386	307-0713 310-1013 310-1028 315-1507
555-5291	H414245A	381-0148
555-5292	32219	391-0138
555-5295	HM212047	381-0150
555-5296	32216	391-0139
555-5297	JF7049A	308-0870

■ This tool is used with the **310-1026** ring ONLY on Rogers Bros. Spindle R3329.
For other options with the **310-1026** ring see **555-5071** and **555-5072**.

Use Universal Tool Body 555-0001 with 555 Series Tool Heads.

Fleet Hub Tools

Fleet Hub Tools By Standard/Grit Guard® Oil Seal Number

Oil Seal	Hub Tool	Hub-Seal Sets
320-2001	551-5398	392-9001, 392-9062
320-2007	551-5326	372-7045
320-2009	551-5356	392-9019, 392-9081
320-2012	551-5405	392-9012
320-2017	551-5352	382-8017
320-2018	551-5351	372-7046, 382-8018
320-2021	551-5385	392-9021
320-2022	551-5381	382-8010
320-2023	551-5401	372-7020, 372-7022, 372-7062, 372-7099, 382-8060
320-2028	551-5385	382-8028, 392-9043
320-2029	551-5386	372-7018, 382-8029, 392-9018
320-2031	551-5388	372-7055, 372-7056, 382-8011, 382-8025
320-2032	551-5388	372-7009, 382-8032
320-2034	551-5387	382-8034
320-2036	551-5346	382-8036
320-2039	551-5395	382-8023, 382-8039
320-2041	551-5398	372-7004, 372-7015, 372-7017, 382-8045
320-2046	551-5388	372-7005, 372-7006
320-2050	551-5347	382-8009
320-2051	551-5388	372-7008
320-2056	551-5302	382-8005
320-2057	551-5353	392-9035, 392-9036
320-2058	551-5303	392-9033
320-2059	551-5317	See 392-9053 Remarks
320-2061	551-5356	392-9034
320-2072	551-5308	372-7048, 392-9038
320-2077	551-5362	392-9063
320-2086	551-5311	382-8001
320-2091	551-5312	See 392-9045 Remarks
320-2096	551-5390	392-9007
320-2097	551-5400	392-9089

Oil Seal	Hub Tool	Hub-Seal Sets
320-2099	551-5317	392-9053
320-2102	551-5318	392-9099
320-2104	551-5383	392-9057
320-2105	551-5351	382-8044
320-2106	551-5320	392-9131
320-2109	551-5313	372-7003, 372-7098, 392-9032
320-2110	551-5412	372-7097
320-2111	551-5323	372-7096
320-2113	551-5412	392-9088
320-2114	551-5412	392-9096
320-2115	551-5356	392-9020, 392-9066, 392-9132
320-2116	551-5317	382-8047
320-2117	551-5325	392-9095
320-2118	551-5321	372-7095
320-2119	551-5353	382-8027
320-2125	551-5388	382-8062
320-2129	551-5393	392-9094
320-2131	551-5363	392-9092
320-2133	551-5353	382-8063
320-2136	551-5381	372-7049
320-2137	551-5327	382-8064
320-2162	551-5333	392-9087
320-2164	551-5366	382-8066
320-2166	551-5340	382-8069
320-2173	551-5401	372-7024, 372-7026, 372-7027, 372-7028, 372-7091
320-2181	551-5349	382-8053, 382-8052
320-2199	551-5344	382-8056
320-2213	551-5364	392-9112, 392-9130
320-2216	551-5403	382-8071
320-2233	551-5404	392-9111

Note: In order for STEMCO warranty to apply, the product must be correctly installed with an installation tool manufactured by STEMCO.

Fleet Hub Tools By Voyager®/Discover®/Endeavor® Number

Voyager®/Discover®	Hub Tool
373-0113	551-5313
373-0213	
373-0123	551-5401
373-0223	
373-0323	
373-0143	551-5412
373-0243	
373-0343	
373-0144	551-5339
373-0191	551-5401
383-0101	551-5420
383-0136	551-5346
383-0236	
383-0336	
383-0139	551-5413
383-0239	
383-0153	551-5419
383-0156	551-5344
383-0164	551-5327
383-0264	

Voyager®/Discover®	Hub Tool
383-0166	551-5423
383-0171	551-5403
383-0175	551-5417
383-0176	551-5418
393-0103	551-5415
393-0203	
393-0104	551-5414
393-0204	
393-0112	551-5416
393-0212	
393-0115	551-5424
393-0134	551-5421
393-0148	551-5400
393-0173	551-5320
393-0273	
393-0373	

Use Universal Fleet Tool Handle 551-0001 with 551 Series Tool Heads.

Fleet Hub Tools By Tool Head Number

Tool No.	Seal No.	Tool No.	Seal No.	Tool No.	Seal No.
551-5302	320-2056	551-5351	320-2018	551-5400	320-2097
551-5303	320-2058		320-2105		393-0148
551-5308	320-2072	551-5353	320-2057	551-5401	320-2023
551-5311	320-2086		320-2119		320-2173
551-5312	320-2091		320-2133		373-0123
551-5313	373-0113	551-5356	320-2009		373-0191
	373-0213		320-2061		373-0223
	320-2109		320-2115	551-5403	320-2216
551-5317	320-2059	551-5362	320-2077		383-0171
	320-2099	551-5363	320-2131	551-5404	320-2233
	320-2116	551-5364	320-2213	551-5405	320-2012
551-5318	320-2102		393-0104	551-5412	320-2110
551-5320	320-2106		393-0204		320-2113
	393-0173	551-5366	320-2164		320-2114
	393-0273	551-5381	320-2022		373-0143
551-5321	320-2118		320-2136	551-5413	383-0139
551-5323	320-2111	551-5383	320-2104		383-0239
551-5325	320-2117	551-5385	320-2028	551-5414	393-0104
551-5327	320-2137	551-5386	320-2029		393-0204
	383-0164	551-5387	320-2034	551-5415	393-0103
	383-0264	551-5388	320-2031		393-0203
551-5333	320-2162		320-2032	551-5416	393-0112
551-5339	373-0144	551-5390	320-2096		393-0212
551-5344	320-2199	551-5393	320-2129	551-5417	383-0175
	383-0156		383-0103	551-5418	383-0176
551-5346	320-2036		383-0203	551-5419	383-0153
	383-0136	551-5395	320-2039	551-5420	383-0101
	383-0236	551-5398	320-2001	551-5421	393-0134
551-5347	320-2050		320-2041	551-5422	383-0166
551-5349	320-2181			551-5424	393-0115

Note: In order for STEMCO warranty to apply, the product must be correctly installed with an installation tool manufactured by STEMCO.

Use Universal Fleet Tool Handle 551-0001 with 551 Series Tool Heads.

Bearing Guides By Cone Number

Cone No.	Bearing Guide No.	Cone No.	Bearing Guide No.	Cone No.	Bearing Guide No.
387AS	570-0017	683	570-0028	33281	570-0021
495AX	570-0022	683XA	570-0028	39250	570-0019
555S	570-0017	687	570-0032	39581	570-0017
557A	570-0018	748S	570-0022	30585	570-0019
559	570-0019	749A	570-0023	42687	570-0022
575	570-0022	758	570-0024	42688	570-0022
580	570-0023	759	570-0025	47678	570-0022
582	570-0023	760	570-0026	47685	570-0023
593	570-0025	843	570-0022	47686	570-0023
594	570-0028	3982	570-0019	188931	570-0017
594A	570-0028	3984	570-0020	7451929	570-0017
595	570-0023	3994	570-0020	H715345	570-0021
598	570-0027	5584	570-0019	HM212044	570-0018
598A	570-0027	5760	570-0022	HM212046	570-0019
623	570-0017	6386	570-0020	HM212047	570-0019
639	570-0019	6386A	570-0020	HM212049	570-0020
641	570-0020	6389	570-0020	HM212049X	570-0020
663	570-0023	6461	570-0022	HM218248	570-0026
663A	570-0023	6461A	570-0022	HM516449,-A,-C	570-0023
665	570-0024	6559	570-0023	HM518445	570-0025
665A	570-0024	6580	570-0025	JM205149A	570-0033
681A	570-0027	33212	570-0031	JM207049A	570-0036

High impact, accurate guides designed to align the STEMCO Seal with the hub bore, thereby eliminating the cocked seal. To be used with the designated hub tool designed for the seal being installed.

Heavy Duty Axle Tools

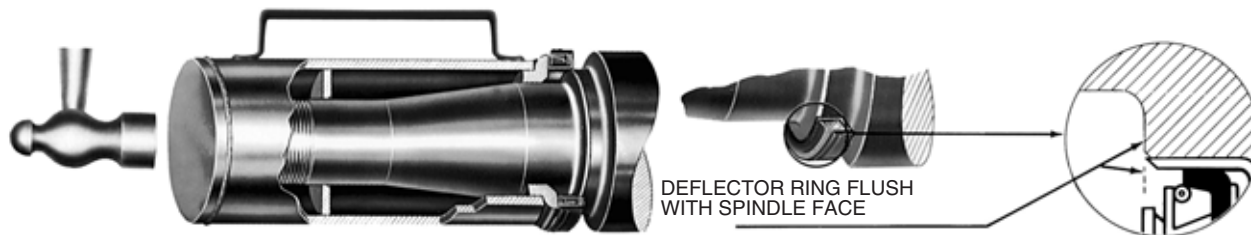
Heavy Duty Axle Tools By Guardian® Seal Number

Guardian® Seal	Inner Cone	Outer Cone	Tool Number
307-0713*	663	560	552-5212
		HM212049	552-5359
307-0723*	HM518445	HM518445	552-5239
307-0743*	HM218248	HM212049	552-5236
307-0744	665A	HM212049	552-5233
308-0836*	HM212044	3782	552-5206
	557A	3782	552-5206
	HM212049,-X	3782	552-5288
	HM212047	3782	552-5230
308-0853	H715345	3979	552-5223
308-0856	H715345	28682	552-5223
		555S	552-5223
308-0864*	6461A	555S	552-5220
		3979	552-5220
309-0903*	580	567	552-5221
	582	567	552-5221
309-0904*	663	575	552-5226
	HM516449-C	47679	552-5226
309-0912	47685	39590	552-5359
	47686	39590	552-5359
309-0915	47685	39590	552-5359
	47686	39590	552-5359

Guardian® Seal	Inner Cone	Outer Cone	Tool Number
309-0960	598A	580/582	552-5214
	594A	580/582	552-5216
309-0961	580	42687	552-5221
	582	42687	552-5221
	663A	42687	552-5221
309-0964	594	580	552-5216
	594A	580	552-5216
309-0965	598	575	552-5215
	598	758	552-5215
	598	665	552-5215
	598	HM617049	552-5215
	598	HM617049	552-5215
309-0970	681A	575/580	552-5214
	683	580	552-5216
	683AX	580	552-5216
309-0973*	598A	580	552-5214
	598	575	552-5215
	594	580	552-5216
	594A	580	552-5216

*HP Design
**SS4 Seal.

Note: In order for STEMCO warranty to apply, the product must be correctly installed with an installation tool manufactured by STEMCO.



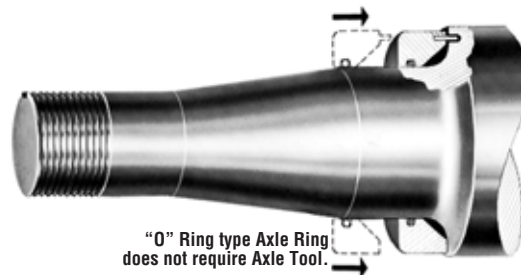
If Heavy Duty Tool is not listed for a specific ring/seal use the 555 series Tool Head for that application.

Heavy Duty Axle Tools

Heavy Duty Axle Tools By Axle/Deflector Ring Number

Axle Ring/ Deflector Ring	Set Number	Inner Cone	Outer Cone	Tool Number
310-1007	392-9007	663, HM516449	575, 47679	552-5226
310-1012	392-9012	47686	39590	552-5359
310-1013	None	663	HM212049 560	552-5359
310-1023	None	HM518445	HM518445	552-5239
310-1026	None	598	575	552-5215
310-1034	382-8071 382-8034	HM212047	3779, 45282	552-5230
310-1036	372-7009 382-8025 382-8036	39250 557A HM212044 HM212047 HM212049,-X	4395 3782 3782	552-5231 552-5206 552-5206 552-5230 552-5288
310-1037	None 382-8064	665A 6461A	HM212049 555S, 3979	552-5233 552-5220
310-1043	372-7015	759	740	552-5237
310-1048	None	HM218248	HM212049	552-5236
310-1053	392-9032	580	567	552-5221
310-1057	372-7003	663	HM212049	552-5359
310-1061	382-8005	3778	25877 2790	552-5242 552-5243
310-1064	372-7048 372-7049 392-9038	3984 JM511946 3984	462 JM205149 462	552-5247 552-5273 552-5247
310-1088	None	663, HM516449	575, 47679	552-5226
310-1091	None	47685, 47686	39590	552-5359
310-1093	382-8053 382-8056 None None	H715345 H715345 580, 582 594	3979,28682 28682, 555S 567 580	552-5223 552-5223 552-5221 552-5216

Axle Ring/ Deflector Ring	Set Number	Inner Cone	Outer Cone	Tool Number
310-1111	None None None	598A 681A 683 598A 598 594, 594A	582 580 580 580 575 560, 580	552-5214 552-5214 552-5216 552-5214 552-5215 552-5216
310-1117	392-9045	47686	39590	552-5359
310-1130	372-7062	593	65390 HH506348	552-5239
310-1233	392-9111	593X/594	593X/594	552-5216
315-1501	392-9099	47685, 47686	39590	552-5359
315-1502	392-9087	681A 683 681A 598A 598 594, 594A 598A	580 580 575 582 575 580 580	552-5214 552-5216 552-5215 552-5214 552-5215 552-5216 552-5214
315-1503	372-7099	HM518445	HM518445	552-5239
315-1504	372-7097	HM218248	HM212049	552-5236
315-1506	372-7096	787	6580	552-5268
315-1507	372-7098	663	HM212049	552-5359
315-1508	392-9096	598	575	552-5215
315-1509	392-9095	580, 582, 663A	42687	552-5221
315-1510	372-7095	665A	HM212049	552-5233
315-1511	392-9094	580, 582	567	552-5221
315-1515	392-9112	663, HM516449,-C	575, 47679	552-5226
315-1516	392-9089	780	776, 864	552-5271
315-1517	392-9088	594	580	552-5216
315-1525	392-9131	598 594, 594A 598A	575 580 580	552-5215 552-5216 552-5214



Shaded parts indicate obsolete part numbers.

If Heavy Duty Tool is not listed for a specific ring/seal use the 555 series Tool Head for that application.

Heavy Duty Axle Tools

Heavy Duty Axle Tools By Tool Number

Tool No.	Inner Cone	Outer Cone	Deflector Ring	Tool No.	Inner Cone	Outer Cone	Deflector Ring
552-5214	598A, 681A	580,582,575	309-0970	552-5226	663, HM516449,-C	575, 47679	309-0904
			309-0973				310-1007
			315-1502				315-1515
			315-1525				310-1034
			315-1530				307-0744
552-5215	598, 598A, 681A	575	309-0965	552-5230	HM212047	3779, 45282	310-1034
			309-0973				307-0744
			310-1026				315-1510
			315-1502				307-0743
			315-1508				315-1504
552-5216	594A, 594, 683, -XA	HM516449, 580, 560, 582, 575	315-1525	552-5233	665A	HM212049, 641	307-0744
			315-1530				315-1510
			309-0960				307-0743
			309-0964				315-1504
			309-0970				307-0723
552-5220	6461A	555S, 3979	310-1093	552-5236	HM218248	HM212049	310-1023
			315-1502				315-1503
			315-1517				308-0836
			315-1525				310-1036
			308-0864				307-0713
552-5221	580, 582	567, 575	310-1037	552-5239	HM518445	HM518445	309-0912
			309-0903				309-0915
			310-1053				310-1012
			315-1511				310-1013
			308-0856				310-1057
552-5223	H715345	3979, 28682	308-0853	552-5288	HM212049,-X, X1	3782	310-1117
			308-0855				315-1501
			308-0856				315-1507
			309-0903				315-1501
			310-1093				315-1507
552-5357	H715345	3979, 28682	308-0853	552-5358	663, 47685, 47686	560, HM212049, 39590	309-0912
			308-0855				309-0915
			308-0856				310-1012
			309-0903				310-1013
			310-1093				310-1057

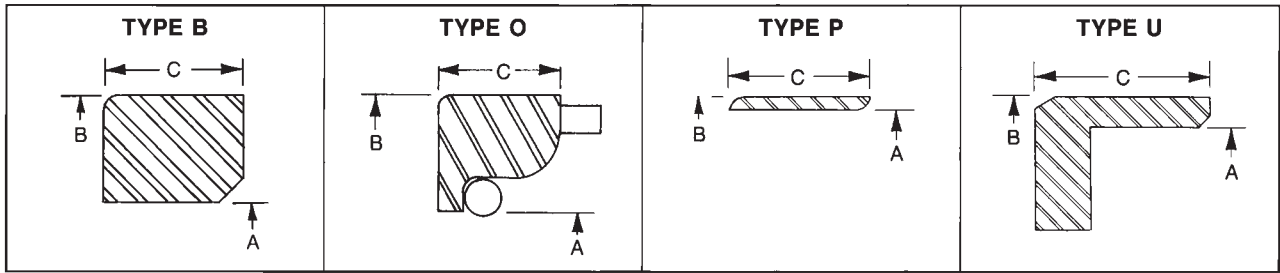
Notes: In order for STEMCO warranty to apply, the product must be correctly installed with an installation tool manufactured by STEMCO.

Hammer Assembly **552-5357**, replaceable tips, **552-5358**.

If Heavy Duty Tool is not listed for a specific ring/seal use the 555 series Tool Head for that application.

Axle Ring Specifications

CAUTION! Dimensions shown in this section are nominal and are for parts identification only. Not intended for ring/seal combination design purposes.



Axle Ring Dimensions by Part Number

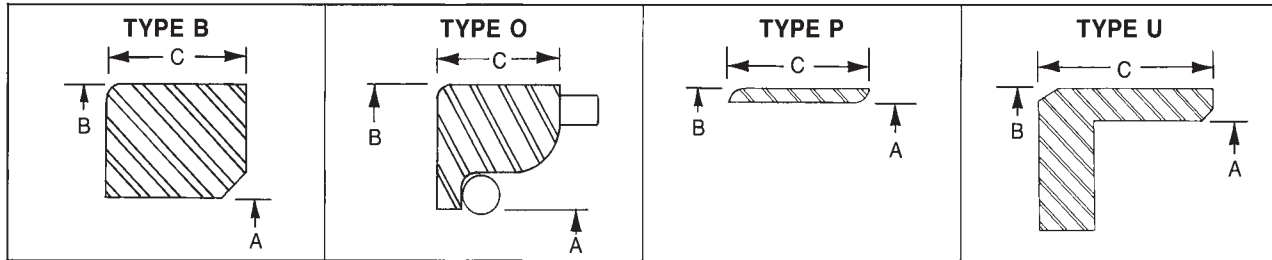
STEMCO Axle Ring Number	Type	A For Shoulder Or Spindle O.D.	B Axle Ring O.D.	C Width
310-1007	P	5.000	5.120	.812
310-1008	P	2.878	2.980	.500
310-1009	B	4.000	4.600	.687
310-1012	P	3.875	4.040	.812
310-1013	P	4.000	4.127	.520
310-1017	P	3.250	3.348	.500
310-1018	P	3.937	4.035	.831
310-1022	O	3.500	4.375	.632
310-1023	P	4.250	4.344	.547
310-1026	P	4.375	4.480	.750
310-1027	B	3.500	4.120	.500
310-1028	P	4.875	4.954	.500
310-1032	O	2.625	3.625	.600
310-1034	P	3.625	3.732	.500
310-1036	P	3.500	3.625	.524
310-1037	P	4.375	4.480	.562
310-1038	O	2.625	4.040	.750
310-1041	O	3.000	4.375	.812
310-1043	B	4.503	4.955	.500
310-1045	B	4.250	4.948	.531
310-1048	P	4.625	4.730	.593
310-1050	O	2.125	3.187	.717
310-1051	O	2.500	3.625	.625
310-1052	B	3.125	3.355	.519

STEMCO Axle Ring Number	Type	A For Shoulder Or Spindle O.D.	B Axle Ring O.D.	C Width
310-1053	P	4.000	4.121	.750
310-1057	B	3.750	4.120	.562
310-1058	P	4.823	4.948	.750
310-1061	P	2.671	2.775	.562
310-1062	P	3.437	3.619	.687
310-1063	P	3.500	3.625	.687
310-1064	P	3.125	3.250	.750
310-1066	P	4.875	4.948	1.000
310-1067	P	5.250	5.375	.812
310-1079	P	4.767	4.948	.812
310-1080	O	3.250	4.375	.625
310-1088	P	4.250	4.369	.812
310-1089	U	5.235	5.368	.908
310-1091	P	3.875	3.972	.812
310-1093	P	4.500	4.597	.687
310-1103	P	4.875	4.948	.750
310-1104	B	2.844	3.125	.600
310-1107	P	4.750	4.864	.750
310-1111	P	4.767	4.872	.650
310-1117	B	3.840	4.163	.625
310-1123	U	4.600	4.865	1.000
310-1130	P	4.250	4.344	.437
310-1132	O	2.625	4.000	.750
310-1233	P	4.724	4.818	.650

Shaded parts indicate obsolete part numbers.

Axle Ring Specifications

CAUTION! Dimensions shown in this section are nominal and are for parts identification only. Not intended for ring/seal combination design purposes.



Axle Ring Dimensions By Shoulder or Spindle O.D.

A For Shoulder Or Spindle O.D.	Type	B Axle Ring O.D.	C Width	STEMCO Axle Ring Number
2.125	O	3.187	.717	310-1050
2.500	O	3.625	.625	310-1051
2.625	O	3.625	.600	310-1032
2.625	O	4.040	.750	310-1038
2.625	O	4.000	.750	310-1132
2.671	P	2.775	.562	310-1061
2.844	B	3.125	.600	310-1104
2.878	P	2.980	.500	310-1008
3.000	O	4.375	.812	310-1041
3.125	B	3.355	.519	310-1052
3.125	P	3.250	.750	310-1064
3.250	P	3.348	.500	310-1017
3.250	O	4.375	.625	310-1080
3.347	O	4.375	.875	310-1006
3.437	P	3.619	.687	310-1062
3.500	O	4.375	.632	310-1022
3.500	B	4.120	.500	310-1027
3.500	P	3.625	.524	310-1036
3.500	P	3.625	.687	310-1063
3.625	P	3.732	.500	310-1034
3.750	B	4.125	.562	310-1057
3.840	B	4.163	.625	310-1117
3.875	B	4.375	.500	310-1005
3.875	P	4.040	.812	310-1012
3.875	P	3.972	.812	310-1091

A For Shoulder Or Spindle O.D.	Type	B Axle Ring O.D.	C Width	STEMCO Axle Ring Number
3.937	P	4.035	.831	310-1018
4.000	B	4.600	.687	310-1009
4.000	P	4.127	.520	310-1013
4.000	P	4.121	.750	310-1053
4.250	P	4.344	.547	310-1023
4.250	B	4.948	.531	310-1045
4.250	P	4.369	.812	310-1088
4.250	P	4.344	.437	310-1130
4.375	P	4.480	.750	310-1026
4.375	P	4.480	.562	310-1037
4.500	P	4.597	.687	310-1093
4.503	B	4.955	.500	310-1043
4.600	U	4.865	1.000	310-1123
4.625	P	4.730	.593	310-1048
4.724	P	4.818	.650	310-1233
4.750	P	4.864	.750	310-1107
4.767	P	4.948	.812	310-1079
4.767	P	4.848	.650	310-1111
4.823	P	4.948	.750	310-1058
4.875	P	4.954	.500	310-1028
4.875	P	4.948	1.000	310-1066
4.875	P	4.948	.750	310-1103
5.000	P	5.120	.812	310-1007
5.235	U	5.368	.908	310-1089
5.250	P	5.375	.812	310-1067

Decimal Equivalents

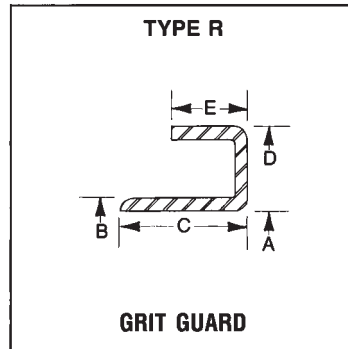
1/32	.0313	9/32	.2813
1/16	.0625	5/16	.3125
3/32	.0938	11/32	.3438
1/8	.1250	3/8	.3750
5/32	.1563	13/32	.4063
3/16	.1875	7/8	.8750
7/32	.2188	15/32	.4688
1/4	.2500	1/2	.5000

17/32	.5315	25/32	.7813
9/16	.5625	13/16	.8125
19/32	.5938	27/32	.8438
5/8	.6250	7/16	.4375
21/32	.6563	29/32	.9063
11/16	.6875	15/16	.9375
23/32	.7188	31/32	.9688
3/4	.7500	1	1.0000

Shaded parts indicate obsolete part numbers.

Grit Guard® Deflector Ring Specifications

CAUTION! Dimensions shown in this section are nominal and are for parts identification only. Not intended for ring/seal combination design purposes.



Deflector Ring Dimensions by Part Number

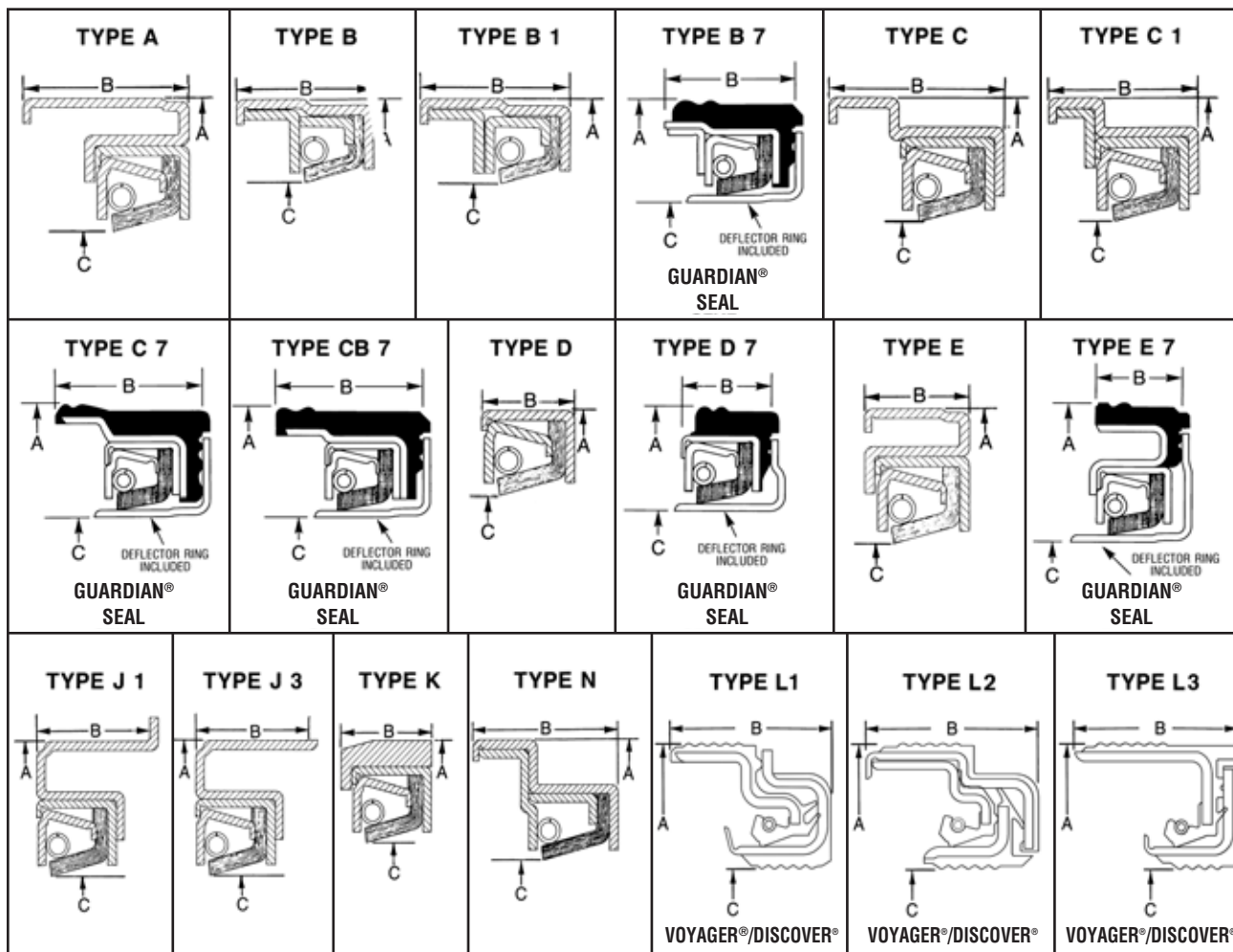
Grit Guard® Deflector Ring	Deflector Ring Type	A For Shoulder O.D.	B Seal Area O.D.	C Width	D Flange O.D.	E Flange Width
315-1501	R	3.875	3.972	1.052	5.250	.520
315-1502	R	4.767	4.854	1.008	6.147	.630
315-1503	R	4.250	4.338	.667	5.625	.453
315-1504	R	4.625	4.730	.730	5.875	.430
315-1506	R	5.250	5.364	.905	6.875	.625
315-1507	R	4.000	4.127	.603	5.625	.365
315-1508	R	4.375	4.480	.875	6.125	.500
315-1509	R	4.262	4.375	.811	5.630	.468
315-1510	R	4.375	4.480	.682	5.625	.500
315-1511	R	4.500	4.597	.950	5.685	.437
315-1515	R	4.250	4.341	.937	6.000	.470
315-1516	R	5.250	5.375	1.110	7.125	.395
315-1517	R	4.500	4.597	.818	6.125	.493
315-1519	R	4.250	4.341	1.187	6.000	.470
315-1525	R	4.767	4.854	.915	6.031	.537
315-1530	R	4.767	4.872	.915	5.935	.400

Deflector Ring Dimensions by Shoulder O.D.

A For Shoulder O.D.	Type	B Seal Area O.D.	C Width	D Flange O.D.	E Flange Width	Grit Guard® Deflector Ring
3.875	R	3.972	1.052	5.250	.520	315-1501
4.000	R	4.115	.603	5.625	.365	315-1507
4.250	R	4.341	1.187	6.000	.470	315-1519
4.250	R	4.338	.667	5.625	.453	315-1503
4.250	R	4.369	.937	6.000	.470	315-1515
4.262	R	4.373	.811	5.630	.468	315-1509
4.375	R	4.480	.682	5.625	.500	315-1510
4.375	R	4.480	.875	6.125	.500	315-1508
4.500	R	4.597	.950	5.685	.437	315-1511
4.500	R	4.597	.825	6.125	.500	315-1517
4.625	R	4.730	.745	5.875	.490	315-1504
4.767	R	4.872	.915	5.935	.400	315-1530
4.767	R	4.854	1.008	6.147	.630	315-1502
4.767	R	4.854	.915	6.031	.537	315-1525
5.250	R	5.375	1.110	7.125	.395	315-1516
5.250	R	5.364	.905	6.875	.625	315-1506

Oil Seal Specifications

CAUTION! Dimensions shown in this section are nominal and are for parts identification only. Not intended for ring/seal combination design purposes.



Guardian®/Guardian®HP Hub Oil Seal Dimensions by Part Number

Guardian® Seal Number	Type	A For Bore Diameter	B Width	C For Shoulder O.D.
307-0713 ☐	E7	5.750	.604	4.000
307-0723 ☐	E7	6.008	.563	4.250
307-0743 ☐	D7	6.000	.584	4.625
307-0744	C7	5.753	1.015	4.375
308-0836 ☐	CB7	4.840	.840	3.500
308-0853	D7	5.372	.518	4.500
308-0855 ☐	CB7	5.875	.820	4.500
308-0856 ☐	CB7	5.875	.820	4.500
308-0863	B7	4.542	.760	3.500
308-0864 ☐	E7	5.903	.955	4.375
308-0866	D7	3.875	.495	2.875
308-0870	E7	5.512	.820	3.937
309-0903 ☐	D7	5.750	.516	4.500

Guardian® Seal Number	Type	A For Bore Diameter	B Width	C For Shoulder O.D.
309-0904 ☐	E7	6.250	.548	4.250
309-0912	E7	5.690	.555	3.875
309-0915	E7	5.500	.736	3.875
309-0935	D7	4.750	.541	3.437
309-0948	E7	7.375	.735	5.250
309-0957	E7	5.500	.745	3.937
309-0960	D7	6.251	.668	4.767
309-0961	E7	6.064	.562	4.262
309-0964	E7	6.250	.600	4.500
309-0965	E7	6.250	.600	4.375
309-0970	C7	7.000	1.175	4.767
309-0973 ☐	C7	6.310	.910	4.767

- ☐ Deflector ring width is .855.
- ☐ Deflector ring width is .685.
- ☐ Guardian® HP.

Oil Seal Specifications

Oil Seal Dimensions by Part Number

STEMCO Seal Number	Type	A For Bore Diameter	B Width	C Axle Ring O.D. +/- .010
320-2001	A	6.500	.906	4.955
320-2007	D	6.250	.565	5.126
320-2009	C	6.251	1.127	4.955
320-2012	A	5.690	.612	4.041
320-2017	B	4.437	.812	3.358
320-2018	B	4.125	.780	2.980
320-2021	A	6.312	1.192	4.955
320-2022	A	4.500	.625	3.187
320-2023	N	6.008	.914	4.377
320-2028	A	6.375	.864	4.955
320-2029	A	5.375	.947	4.041
320-2031	A	5.000	.890	3.623
320-2032	E	5.000	.539	3.623
320-2034	B	4.812	.875	3.730
320-2036	N	4.840	.875	3.625
320-2039	B	5.125	.984	4.041
320-2041	A	6.437	.906	4.955
320-2046	A	5.003	.890	3.623
320-2050	B1	4.125	.664	3.361
320-2051	A	5.000	.734	3.623
320-2056	B1	3.671	.843	2.775
320-2057	C1	4.625	.934	3.623
320-2058	D	5.500	.565	4.600
320-2059	D	6.250	.572	5.377
320-2061	C1	6.003	.895	4.955
320-2072	B	4.437	.812	3.250
320-2077	D	3.937	.473	3.125
320-2086	A	5.625	.600	4.127
320-2091	A	5.500	.600	4.166
320-2096	B	6.250	1.063	5.126

STEMCO Seal Number	Type	A For Bore Diameter	B Width	C Axle Ring O.D. +/- .010
320-2097	J3	7.375	.750	5.377
320-2099	K	7.250	.828	5.377
320-2102	B	5.250	1.043	3.972
320-2104	C1	5.500	1.000	4.041
320-2105	B	4.175	.780	2.980
320-2106	N	6.310	1.141	4.872
320-2109	N	5.750	.866	4.127
320-2110	N	6.000	.818	4.733
320-2111	C1	7.135	1.093	5.377
320-2113	N	6.000	1.062	4.629
320-2114	N	6.000	1.062	4.481
320-2115	N	6.000	1.062	4.871
320-2117	J1	6.064	.583	4.377
320-2118	N	5.753	.912	4.480
320-2119	B1	4.450	.816	3.623
320-2125	B1	4.437	.816	3.623
320-2129	N	5.750	.825	4.615
320-2131	N	6.250	1.023	4.485
320-2133	B1	4.542	.816	3.623
320-2136	A	4.500	.625	3.247
320-2137	N	5.903	1.056	4.485
320-2162	C1	7.000	1.320	4.872
320-2164	B	3.875	.750	2.980
320-2166	N	6.125	.724	4.955
320-2173	N	6.032	.875	4.377
320-2181	B1	5.372	.937	4.600
320-2199	N	5.875	.903	4.600
320-2213	J1	6.251	.562	4.377
320-2216	N	5.000	.820	3.732
320-2233	N	5.906	.913	4.818

Voyager®/Discover® Oil Seal Dimensions by Part Number

Voyager® Seal No.	Type	A For Bore Diameter	B Width	C For Shoulder O.D.
373-0113	L2	5.750	.940	4.000
373-0123	L1	6.008	.995	4.250
373-0143	L1	6.000	.981	4.625
373-0144	L3	5.753	.993	4.375
373-0191	L2	6.032	.960	4.250
383-0101	L2	5.625	.625	4.000
383-0136	L1	4.840	.932	3.500
383-0139*	L2	5.120	.968	4.000
383-0153	L3	5.375	.975	4.500
383-0156	L2	5.875	.988	4.500
383-0164	L2	5.903	1.030	4.375
383-0166	L3	3.875	.750	2.875
383-0171	L2	5.000	.820	3.625
383-0175	L2	3.939	.500	2.359
383-0176	L2	4.725	.563	2.948
393-0103	L2	5.750	1.006	4.500

Voyager®/Discover® Seal No.	Type	A For Bore Diameter	B Width	C For Shoulder O.D.
393-0104	L2	6.250	1.290	4.250
393-0112	L2	5.690	.820	3.875
393-0115	L3	5.500	.705	3.875
393-0134	L2	6.000	.790	4.875
393-0148	L2	7.375	1.000	5.250
393-0173	L1	6.310	1.127	4.767
373-0213	L2	5.750	.940	4.000
373-0223	L1	6.008	.995	4.250
373-0243	L1	6.000	.981	4.625
383-0236	L1	4.840	.932	3.500
383-0239**	L2	5.120	.968	4.000
383-0264	L2	5.903	1.030	4.375
393-0203	L2	5.750	1.006	4.500
393-0204	L2	6.250	1.290	4.250
393-0273	L1	6.310	1.127	4.767
393-0212	L2	5.690	.820	3.875

* 383-0139 must be used with 310-1132 ring, available in Kit #383-8139.

** 383-0239 must be used with 310-1132 ring, available in Kit #383-8239.

Shaded parts indicate obsolete part numbers.

Oil Seal Specifications

Guardian® Hub Oil Seal Dimensions By Bore Diameter

A For Bore Diameter	Guardian® Type	B Width	C Shoulder O.D.	Guardian® Seal Number
3.875	D7	.495	2.875	308-0866
4.542	B7	.760	3.500	308-0863
4.750	D7	.541	3.437	309-0935
4.840	CB7	.840	3.500	308-0836
5.372	D7	.518	4.500	308-0853
5.500	E7	.736	3.875	309-0915
5.500	E7	.745	3.937	309-0957
5.512	E7	.820	3.937	308-0870
5.690	E7	.555	3.875	309-0912
5.750	E7	.604	4.000	307-0713
5.750	D7	.516	4.500	309-0903
5.753	C7	1.015	4.375	307-0744
5.875	CB7	.820	4.500	308-0855 □

A Bore Diameter	Guardian® Type	B Width	C Shoulder O.D.	Guardian® Seal Number
5.875	CB7	.820	4.500	308-0856 ☒
5.903	E7	.955	4.375	308-0864
6.000	D7	.584	4.625	307-0743
6.008	E7	.563	4.250	307-0723
6.064	E7	.562	4.262	309-0961
6.250	E7	.548	4.250	309-0904
6.250	E7	.600	4.500	309-0964
6.250	E7	.600	4.375	309-0965
6.251	D7	.668	4.767	309-0960
6.310	C7	.910	4.767	309-0973
7.000	C7	1.175	4.767	309-0970
7.375	E7	.735	5.250	309-0948

□ Deflector ring width is .885. ☒ Deflector ring width is .685.

Oil Seal Dimensions By Bore Diameter

A Bore Diameter	Seal Type	B Width	C Axle Ring O.D. +/- .010	STEMCO Oil Seal Number
3.671	B1	.843	2.775	320-2056
3.875	B	.750	2.980	320-2164
3.937	D	.473	3.125	320-2077
4.125	B	.780	2.980	320-2018
4.125	B1	.664	3.361	320-2050
4.175	B	.780	2.980	320-2105
4.437	B	.812	3.250	320-2072
4.437	B	.812	3.358	320-2017
4.437	B1	.816	3.623	320-2125
4.450	B1	.816	3.623	320-2119
4.500	A	.625	3.187	320-2022
4.500	A	.625	3.247	320-2136
4.542	B1	.816	3.623	320-2133
4.625	C1	.934	3.623	320-2057
4.812	B	.875	3.730	320-2034
4.840	N	.875	3.625	320-2036
5.000	E	.539	3.623	320-2032
5.000	A	.734	4.623	320-2051
5.000	A	.890	3.623	320-2031
5.000	N	.820	3.732	320-2216
5.003	A	.890	3.623	320-2046
5.125	B	.984	4.041	320-2039
5.250	B	1.043	3.972	320-2102
5.372	B1	.937	4.600	320-2181
5.375	A	.947	4.041	320-2029
5.500	C1	1.000	4.041	320-2104
5.500	A	.600	4.166	320-2091
5.500	D	.565	4.600	320-2058
5.625	A	.600	4.127	320-2086
5.690	A	.612	4.041	320-2012

A Bore Diameter	Seal Type	B Width	C Axle Ring O.D. +/- .010	STEMCO Oil Seal Number
5.750	N	.866	4.127	320-2109
5.750	N	.825	4.615	320-2129
5.753	N	.912	4.480	320-2118
5.875	N	.903	4.600	320-2199
5.903	N	1.056	4.485	320-2137
5.906	N	.913	4.818	320-2233
6.000	B	1.062	4.481	320-2114
6.000	B	1.062	4.629	320-2113
6.000	N	.818	4.733	320-2110
6.000	B	1.062	4.871	320-2115
6.003	C1	.895	4.955	320-2061
6.008	N	.914	4.377	320-2023
6.032	N	.875	4.377	320-2173
6.064	J1	.583	4.377	320-2117
6.250	N	1.023	4.485	320-2131
6.250	D	.565	5.126	320-2007
6.250	B	1.063	5.126	320-2096
6.250	D	.572	5.377	320-2059
6.251	J1	.562	4.377	320-2213
6.251	C	1.127	4.955	320-2009
6.310	N	1.141	4.872	320-2106
6.312	A	1.192	4.955	320-2021
6.375	A	.864	4.955	320-2028
6.437	A	.906	4.955	320-2041
6.500	A	.906	4.955	320-2001
7.000	C1	1.320	4.872	320-2162
7.135	C1	1.093	5.377	320-2111
7.250	K	.828	5.377	320-2099
7.375	J1	.750	5.377	320-2097

Shaded parts indicate obsolete part numbers.

EXTEND SEAL & BEARING LIFE BY PREVENTING CONTAMINATION

SENTINEL®



SENTINEL® TECHNOLOGY

Provides an unmatched filtering system to eliminate contamination of lubricant from grime, dirt or water.

Sentinel® Hub Cap

Provides a tamper-proof hub cap system for maximum protection and maintenance-free performance.



Integrated Sentinel® Hub Cap

Tamper-proof hub cap integrates the Sentinel® features into the window with fewer components and greater wheel end visibility.



Sentinel® ESP (Extended Service Plug)

Allows economical retrofitting of wheel ends with the benefits of STEMCO's exclusive Sentinel® Technology.



Sentinel® ESP Filtered Vent

Drive axles can now be retrofitted to benefit from STEMCO's exclusive Sentinel® Technology.



SENTINEL[®] TECHNOLOGY

STEMCO[®]
A Higher Standard of Performance.[™]
an EnPro Industries company

- ⊖ Prevents dirt and water from contaminating the oil, thereby extending seal and bearing life.
- ⊖ Dramatically reduces contaminant build-up on hub cap windows, allowing for an accurate determination of lube levels.
- ⊖ Eliminates early oil breakdown by preventing water contamination as a result of submerged axles.
- ⊖ Provides maximum protection for maintenance-free wheel end systems.
- ⊖ Improves performance and lowers overall maintenance costs.

SENTINEL[®] HUB CAP

STEMCO BASE PART NO.	OIL CAP	GREASE CAP	BOLT CIRCLE	BOLT SIZE	NO. OF BOLTS	GASKET NUMBER	OIL WINDOW KIT	GREASE WINDOW KIT
4009	348-4009	349-4009	5 1/2"	5/16"	6	330-3009	359-6112	359-6120
4013	348-4013	349-4013	5 1/2"	5/16"	5	330-3013	359-6112	359-6120
4046	348-4046	349-4046	5 1/2"	5/16"	6	330-3009	359-6112	359-6120
4075	348-4075	349-4075		6 1/4" x 8" UN(M)		330-3077	359-6112	359-6120
4095	348-4095	349-4095	5 1/2"	5/16"	6	330-3009	359-6112	359-6120
4195	348-4195	349-4195	6 3/4"	5/16"	6	330-3118	359-6112	359-6120
4281	348-4281	N/A	5 17/32"	3/8"	6	330-3122	359-6112	359-6120

INTEGRATED SENTINEL[®] HUB CAP

STEMCO BASE PART NO.	OIL CAP	GREASE CAP	BOLT CIRCLE	BOLT SIZE	NO. OF BOLTS	GASKET NUMBER	OIL WINDOW KIT	GREASE WINDOW KIT
4009	356-4009	358-4009	5 1/2"	5/16"	6	330-3009	359-6145	359-6146
4013	356-4013	358-4013	5 1/2"	5/16"	5	330-3013	359-6145	359-6146
4024	356-4024	358-4024	4 1/2"	5/16"	6	330-3024	359-6143	359-6144
4025	356-4025	358-4025	5 7/8"	5/16"	6	330-3025	359-6143	359-6144
4046	356-4046	358-4046	5 1/2"	5/16"	6	330-3009	359-6145	359-6146
4075	356-4075	358-4075		6 1/4" x 8" UN(M)		330-3077	359-6145	359-6146
4080	356-4080	358-4080	6	3/8"	6	330-3060	359-6143	359-6144
4095	356-4095	358-4095	5 1/2"	5/16"	6	330-3009	359-6145	359-6146
4119	356-4119	358-4119	7	5/8"	8	330-3090	359-6145	359-6146
4150	356-4150	358-4150	4 1/2"	5/16"	5	330-3150	359-6143	359-6144
4195	356-4195	358-4195	6 3/4"	5/16"	6	330-3118	359-6145	359-6146

SENTINEL[®] ESP (EXTENDED SERVICE PLUG)

STEMCO PART NO.	DESCRIPTION
359-6124	ESP Plug Blister Pack (2/pk)
359-6125	ESP Plugs (bulk pack of 50)

BULK PACK HUB CAP

STEMCO PART NO.	DESCRIPTION
300-5009	340-4009 Hub Cap with ESP Plug Bulk Pack (50/box)
303-5009	343-4009 Hub Cap with ESP Plug Bulk Pack (50/box)

SENTINEL[®] ESP FILTERED VENT

STEMCO PART NO.	DESCRIPTION
359-6137	Drive Axle Vent (3/8" adapter)

SENTINEL[®]

To relieve vacuum, the Sentinel[®] interior check valve lifts slightly, drawing air through the water-resistant expanded PTFE fabric filter into the wheel end, while the duck-bill check valve remains closed, blocking dirt, grime and other contaminants from entering.



To relieve pressure, the Sentinel[®] duck-billed pressure relief valve opens, allowing pressure to vent out, while the umbrella check valve remains closed, stopping lubricant from leaking out and contaminants from flowing in.

STEMCO LP - USA
P. O. Box 1989
Longview, TX 75606-1989
(903) 758-9981 • 1-800-527-8492
FAX: 1-800-874-4297
www.stemco.com

STEMCO - Canada
5650 Timberlea Blvd. Unit B
Mississauga, ON L4W 4M6
(905) 206-9922 • 877-232-9111
FAX: 877-244-4555

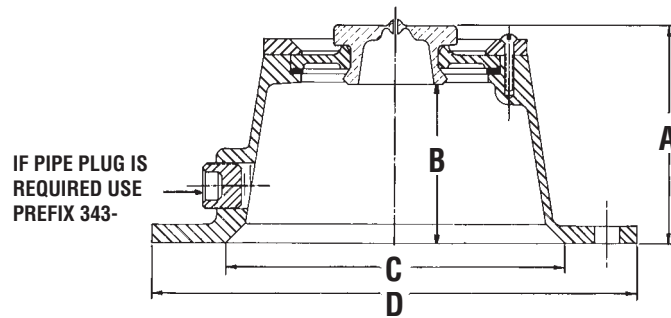
STEMCO - Australia
Unit 6 CNR Rookwood & Muir Roads
Yagoona NSW 2199
Phone: 011-61-2-8713-2502
FAX: 011-61-2-9793-2544

ISO/TS 16949
STEMCO and Sentinel are trademarks of
STEMCO LP ©2011 STEMCO LP
Printed in the USA • Part No. 571-3038
Hudson 10-483 Rev. 04/11

TQM[™]
TOTAL QUALITY MAINTENANCE[™]

Hub Cap Specifications

Bolt-on Hub Caps By Bolt Circle



HOW TO DETERMINE BOLT CIRCLE

Count the number of mounting holes; measure diameter of bolts; measure bolt circle (select 2 holes opposite each other and measure from the center of one bolt to the center of the one opposite). On odd number holes, measure inside diameter of hub and add twice the distance from the bore to the center of bolt hole.

Bolt Circle	Bolt Size	No. Of Bolts	A Height	B Inside Depth	C Flange I.D.	D Flange O.D.	Hub Cap Includes Gasket	Gasket Number
3-5/8	5/16	4	2-1/4	1-1/2	2-1/2	4-1/2	340-4065	330-3040
3-7/8	5/16	6	2-1/4	1-1/2	2-3/4	4-1/2	340-4198	330-3119
4	1/4	4	2-1/8	1-3/8	3-1/8	4-9/16	340-4157 □	330-3102
4-1/16	3/16	6	2-5/8	1-7/8	3-5/16	4-1/2	340-4139 □	330-3094
4-1/2	5/16	6	2-5/8	1-7/8	3-1/2	5-1/4	340-4024	330-3024
4-1/2	5/16	6	2-5/8	1-7/8	3-1/2	5-1/4	343-4308	330-3024
4-1/2	6mm	6	2-5/8	1-7/8	3-1/2	5-1/4	340-4263	330-3024
5	1/4	4	3-1/8	2-3/8	4	5-3/4	340-4028	330-3028
5	5/16	4	2-1/8	1-3/8	4	5-3/4	340-4186	330-3120
5-1/8	5/16	6	2-7/8	2-1/8	3-3/4	5-3/4	340-4066	330-3041
5-1/8	5/16	6	1-7/8	1-1/8	4	5-11/16	340-4042	330-3041
5-1/4	3/8	3	2-7/8	2-1/8	4-3/8	6	340-4002	330-3002
5-1/4	3/8	3	3-1/2	2-3/4	4-1/8	Not Round	340-4019	330-3019
5-1/4	5/16	6	2-7/8	2-1/8	4-3/8	6	340-4031	330-3031
5-1/2	5/16	6	1-1/4	1-1/8	4-7/16	6-3/16	340-4098	330-3009
5-1/2	5/16	5	2-11/16	1-15/16	4-3/8	6-1/4	340-4013	330-3013
5-1/2	5/16	6	1-13/16	1-11/16	4-7/16	6-3/16	340-4249 □	330-3122
5-1/2	5/16	6	1-13/16	1-1/16	4-9/16	6-3/16	340-4095	330-3009
5-1/2	5/16	6	2-5/16	1-9/16	4-9/16	6-3/16	340-4046	330-3009
5-1/2	5/16	6	2-11/16	1-15/16	4-3/8	6-1/4	340-4009	330-3009
5-1/2	5/16	6	2-11/16	1-15/16	4-3/8	6-1/4	343-4122	330-3009
5-1/2	5/16	6	1-13/16	1-1/16	4-9/16	6-3/16	343-4309	330-3009
5-1/2	5/16	6	2-11/16	1-15/16	4-3/8	6-1/4	343-4342	330-3009
5-17/32	3/8	6	1-13/16	1-9/16	4-7/16	6-3/16	343-4250 □	330-3122
5-17/32	3/8	6	2-5/16	1-9/16	4-9/16	6-3/16	343-4281 □	330-3122
5-9/16	5/16	6	1-13/16	1-11/16	4-7/16	6-3/16	340-4249 □	330-3122
5-9/16	5/16	3	2-7/8	2-1/8	3-3/4	6-3/8	340-4049	330-3042
5-9/16	5/16	6	2-7/8	2-1/8	3-11/16	6-3/8	340-4149	330-3097
5-7/8	5/16	6	1-3/8	5/8	4-1/4	6-1/2	343-4025 □	330-3025
5-7/8	5/16	6	1-5/8	1-7/16	4-1/2	6-37/64	340-4092	330-3025
5-7/8	5/16	6	2-3/8	1-5/8	5-1/8	Not Round	340-4036	330-3035
6	5/16	6	2-5/8	1-7/8	5	6-3/4	340-4059	330-3056
6	5/16	6	2-1/2	1-3/4	4-15/16	6-7/8	343-4176	330-3060
6	3/8	6	3-3/16	2-3/8	4-15/16	6-7/8	343-4080 □	330-3060
6-1/8	3/8	3	2-11/16	1-15/16	4-5/16	7	340-4011	330-3011
6-1/8	5/16	6	2-11/16	1-15/16	4-5/16	7	340-4163 □	330-3104

- Cannot be made with pipe plug.
- ▣ Made with pipe plug only.
- ▣ Fits 5-1/2 and 5-9/16 bolt circles.

(Continued Next Page)

Hub Cap Specifications

Bolt-on Hub Caps By Bolt Circle

Bolt Circle	Bolt Size	No. Of Bolts	A Height	B Inside Depth	C Flange I.D.	D Flange O.D.	Hub Cap Includes Gasket	Gasket Number
6-5/8	1/4	6	2-13/16	2-1/16	5-5/16	7-1/8	340-4034	330-3034
6-3/4	5/16	6	3-11/16	2-15/16	5-7/16	7-1/2	340-4195	330-3118
6-3/4	3/8	6	2-11/16	1-15/16	5	7-3/4	343-4064	330-3079
6-7/8	7/16	7	2-11/16	1-15/16	5	7-3/4	340-4082	330-3062
7	5/8	8	2-1/16	1-5/16	4-5/16	8-1/4	340-4119	330-3090
7	13/16	8	2-1/16	1-5/16	4-5/16	8-1/4	340-4305	330-3090
7-1/4	1/4	6	2-7/8	2-1/8	6-1/4	7-7/8	343-4107	330-3084
110mm	8.5mm	6	67.3mm	47.0mm	88.4mm	133.3mm	343-4295	330-3130

Cannot be made with pipe plug.

Made with pipe plug only.

4009 Hub Cap Variations

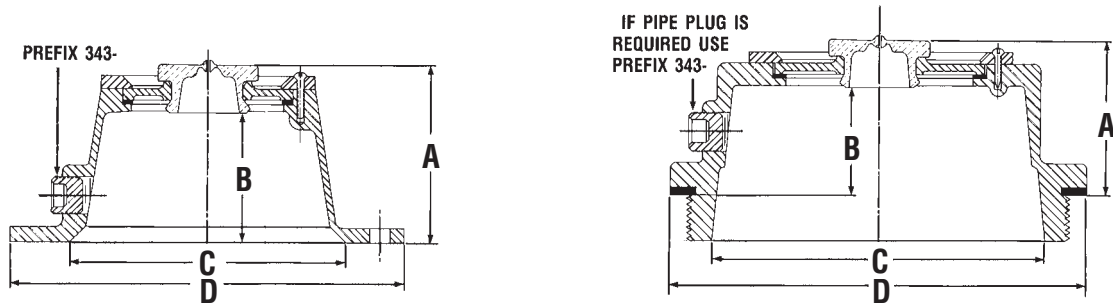
Application	Part Number	Description
Oil	343-4350	Cast aluminum hub cap with PSI face & side fill plug
Oil	347-4009	Cast aluminum hub cap with hubo window & side fill plug
Oil	348-4009	Cast aluminum hub cap with Sentinel® Technology and side fill plug
Oil	356-4009	Integrated Sentinel®
Grease/Oil	340-4009	Cast aluminum hub cap with large red fill plug & no side fill plug
Grease/Oil	343-4009	Cast aluminum hub cap with large red fill plug & side fill plug
Grease/Oil	300-4009	Cast aluminum hub cap with large red fill plug & no side fill plug in 50 unit bulk pack
Grease/Oil	303-4009	Cast aluminum hub cap with large red fill plug & side fill plug in 50 unit bulk pack
Grease	340-4350	Cast aluminum hub cap with PSI face & no side fill plug
Grease	340-5096	Stamped steel hub cap with vent
Grease	340-5097	Stamped steel hub cap with no vent
Grease	342-4009	Cast aluminum hub cap with dirt exclusion window & no side fill plug
Grease	347-4278	Cast aluminum hub cap with hubo window & no side fill plug
Grease	347-5096	Stamped steel hub cap with hubo mounting hole & vent
Grease	349-4009	Cast aluminum hub cap with Sentinel® Technology and no side fill plug
Grease	352-4009	Cast aluminum hub cap with solid top (duckbill vent) & no side fill plug
Grease	358-4009	Integrated Sentinel®

Bulk Hub Caps

STEMCO Part No.	Standard Part No.	Bulk Qty.	Gasket Number
300-4009	340-4009	25	330-3009 -Included
303-4009	343-4009	25	330-3009 -Included
300-5097	340-4009	25	330-3009 -Included

Hub Cap Specifications

Hub Caps By Cap Number



Hub Cap Includes Gasket	Bolt Circle	Bolt Size	No. Of Bolts	A Height	B Inside Depth	C Flange I.D.	D Flange O.D.	Gasket Number	Window Kit
340-4002	5-1/4	3/8	3	2-7/8	2-1/8	4-3/8	6	330-3002	359-5999
340-4009 ☐	5-1/2	5/16	6	2-11/16	1-15/16	4-3/8	6-1/4	330-3009	359-5995
340-4011	6-1/8	3/8	3	2-11/16	1-15/16	4-5/16	7	330-3011	359-5995
340-4013 ☐	5-1/2	5/16	5	2-11/16	1-15/16	4-3/8	6-1/4	330-3013	359-5995
340-4015	Blank	--	--	2-11/16	1-15/16	4-3/8	6-1/4	330-3015	359-5995
340-4019	5-1/4	3/8	3	3-1/2	2-3/4	4-1/8	Not Round	330-3019	359-5995
340-4024	4-1/2	5/16	6	2-5/8	1-7/8	3-1/2	5-1/4	330-3024	359-5999
343-4025 ☐	5-7/8	5/16	6	1-3/8	5/8	4-1/4	6-1/2	330-3025	359-5999
340-4028	5	1/4	4	3-1/8	2-3/8	4	5-3/4	330-3028	359-5999
340-4031	5-1/4	5/16	6	2-7/8	2-1/8	4-3/8	6	330-3031	359-5999
340-4034	6-5/8	1/4	6	2-13/16	2-1/16	5-5/16	7-1/8	330-3034	359-5999
340-4036	5-7/8	5/16	6	2-3/8	1-5/8	5-1/8	Not Round	330-3035	359-5995
340-4042	5-1/8	5/16	6	1-7/8	1-1/8	4	5-11/16	330-3041	359-5999
340-4046	5-1/2	5/16	6	2-5/16	1-9/16	4-9/16	6-3/16	330-3009	359-5995
340-4054 ☐	Blank	None	--	2-1/8	1-3/8	4-1/32	8-5/8	330-3017	359-5995
340-4059	6	5/16	6	2-5/8	1-7/8	5	6-3/4	330-3056	359-5995
343-4064 ☐	6-3/4	3/8	6	2-11/16	1-15/16	5	7-3/4	330-3079	359-5995
340-4065	3-5/8	5/16	4	2-1/4	1-1/2	2-3/4	4-1/2	330-3040	359-5990
340-4066	5-1/8	5/16	6	2-7/8	2-1/8	3-3/4	5-3/4	330-3041	359-5999
340-4075 ☐	6-1/4 X 8 UN (M)			2-5/16	1-9/16	5-3/4	6-7/8	330-3077	359-5995
343-4080 ☐	6	3/8	6	3-3/16	2-3/8	4-15/16	6-7/8	330-3060	359-5999
340-4082	6-7/8	7/16	7	2-11/16	1-15/16	5	7-3/4	330-3062	359-5995
340-4092	5-7/8	5/16	6	1-5/8	1-7/16	4-1/2	6-37/64	330-3025	359-5912
340-4095	5-1/2	5/16	6	1-13/16	1-1/16	4-9/16	6-3/16	330-3009	359-5995
340-4098	5-1/2	5/16	6	1-1/4	1-1/8	4-7/16	6-3/16	330-3009	359-5912
343-4107 ☐	7-1/4	1/4	6	2-7/8	2-1/8	6-1/4	7-7/8	330-3084	359-5995
340-4119 ☐	7	5/8	8	2-1/16	1-5/16	4-5/16	8-1/4	330-3090	359-5995
343-4122 ☐	5-1/2	5/16	6	2-11/16	1-15/16	4-3/8	6-1/4	330-3009	359-5995
340-4139 ☐	4-1/16	3/16	6	2-5/8	1-7/8	3-5/16	4-1/2	330-3094	359-5999

(Continued Next Page)

☐ Cannot be made with pipe plug.

☐ Made with pipe plug only.

☐ Hub cap available with hub window, order 347-prefix. Also available **347-4342**, which is 4195 hub cap for grease applications and **347-4343** which is 4075 hub cap for grease applications, **347-4278** for 4009 grease hub cap application.

☐ 4009 hub cap with magnetic pipe plug (**359-5984**).

Hub Cap Specifications

Hub Caps By Cap Number

Hub Cap Includes Gasket	Bolt Circle	Bolt Size	No. Of Bolts	A Height	B Inside Depth	C Flange I.D.	D Flange O.D.	Gasket Number	Window Kit
340-4149	5-9/16	5/16	6	2-7/8	2-1/8	3-11/16	6-3/8	330-3097	359-5999
340-4157	4	1/4	4	2-1/8	1-3/8	3-1/8	4-9/16	330-3102	NONE
340-4163	6-1/8	5/16	6	2-11/16	1-15/16	4-5/16	7	330-3104	359-5995
343-4176	6	5/16	6	2-1/2	1-3/4	4-15/16	6-7/8	330-3060	359-5999
340-4186	5	5/16	4	2-1/8	1-3/8	4	5-3/4	330-3120	359-5999
340-4195	6-3/4	5/16	6	3-11/16	2-15/16	5-7/16	7-1/2	330-3118	359-5995
340-4198	3-7/8	5/16	6	2-1/4	1-1/2	2-3/4	4-1/2	330-3119	NONE
340-4249	5-1/2	5/16	6	1-13/16	1-11/16	4-7/16	6-3/16	330-3122	359-5912
343-4250	5-17/32	3/8	6	1-13/16	1-9/16	4-7/16	6-3/16	330-3122	NONE
340-4263	4-1/2	6mm	6	2-5/8	1-7/8	3-1/2	5-1/4	330-3024	359-5999
343-4281	5-17/32	3/8	6	2-5/16	1-9/16	4-9/16	6-3/16	330-3122	359-5995
343-4295	110mm	8.5mm	6	67.3mm	47.0mm	88.4mm	133.3mm	330-3130	359-5999
343-4308	4-1/2	5/16	6	2-5/8	1-7/8	3-1/2	5-1/4	330-3024	NONE
343-4309	5-1/2	5/16	6	1-13/16	1-1/16	4-9/16	6-3/16	330-3009	359-6100
340-4320	6-1/4 X 8 UN (M)			2-5/16	1-9/16	5-3/4	6-7/8	330-3077	NONE
343-4342	5-1/2	5/16	6	2-11/16	1-15/16	4-3/8	6-1/4	330-3009	359-6100
340-4975	6-1/4 X 8 UN (M)			2-5/16	1-9/16	5-3/4	6-7/8	330-3077	NONE
340-4976	6-1/4 X 8 UN (M)			2-5/16	1-9/16	5-3/4	6-7/8	330-3077	NONE
340-4977	6-1/4 X 8 UN (M)			2-5/16	1-9/16	5-3/4	6-7/8	330-3077	NONE
343-5111	3-5/8	5/16	4	2-1/4	1-1/2	2-3/4	4-1/2	330-3040	NONE

- Cannot be made with pipe plug.
- Made with pipe plug only.
- Hub cap can be used with 5-1/2 or 5-9/16 bolt circle with 5/16 inch bolts.
- Hub cap available with hubco window, order 347-prefix. Also available **347-4342**, which is 4195 hub cap for grease applications, **347-4343** which is 4075 hub cap for grease applications and **347-4278** which is 4009 hub cap for grease applications. Also available with Hubco window when ordered with 347 prefix. See options below.
- Lexan hub caps, order in multiples of 25.
- 4249 with recessed vent plug.
- 4095 with small vent plug **359-5915**.
- 4009 with small vent plug **359-5915**.
- 4024 with small vent plug.
- 4975 individually boxed.

Torque Specifications

Hub Cap Mounting Bolts			
3/16	8-10 ft. lbs.	1/2	20-24 ft. lbs.
1/4	8-12 ft. lbs.	3/4	24-28 ft. lbs.
5/16	12-16 ft. lbs.	7/8	26-30 ft. lbs.
3/8	16-20 ft. lbs.	6 MM	8-12 ft. lbs.
7/16	18-22 ft. lbs.	8.5 MM	12-16 ft. lbs.

Threaded Hub Caps	
XXX-4075	100 ft. lbs.
340-4975	50-60 ft. lbs.
340-4976	50-60 ft. lbs.
640-0003	50-60 ft. lbs.

Hubco Window Options		
STEMCO Base Part No.	Grease Cap	Oil Cap
4009	347-4278	347-4009
4075	347-4343	347-4075
4195	347-4342	347-4195

Hub Cap Components		
359-6032	#8 Torx Screw	25 in. lbs. Maximum
359-5984	3/8 Mag Plug	5-9 ft. lbs. Maximum
359-5985	3/8 Pipe Plug	5-9 ft. lbs. Maximum

Hub Cap Specifications

Sentinel® Hub Caps



STEMCO Base Part No.	Oil Cap	Grease Cap	Bolt Circle	Bolt Size	No. of Bolts	Gasket Number	Oil Window Kit	Grease Window Kit
4009	348-4009	349-4009	5-1/2	5/16	6	330-3009	359-6112	359-6120
4013	348-4013	349-4013	5-1/2	5/16	5	330-3013	359-6112	359-6120
4046	348-4046	349-4046	5-1/2	5/16	6	330-3009	359-6112	359-6120
4075	348-4075	349-4075	6-1/4 x 8 UN(M)			330-3077	359-6112	359-6120
4095	348-4095	349-4095	5-1/2	5/16	6	330-3009	359-6112	359-6120
4195	348-4195	349-4195	6-3/4	5/16	6	330-3118	359-6112	359-6120
4281	348-4281	N/A	5-17/32	3/8	6	330-3122	359-6112	359-6120

Window kit consists of window, gasket, window ring assembly/gasket and Sentinel Cap Cover P/N 359-6103.

Integrated Sentinel® Hub Cap



STEMCO Base Part No.	Oil Cap	Grease Cap	Bolt Circle	Bolt Size	No. of Bolts	Gasket Number	Oil Window Kit	Grease Window Kit
4009	356-4009	358-4009	5-1/2	5/16	6	330-3009	359-6145	359-6146
4013	356-4013	358-4013	5-1/2	5/16	5	330-3013	359-6145	359-6146
4024	356-4024	358-4024	4-1/2	5/16	6	330-3024	359-6143	359-6144
4025	356-4025	N/A	5-7/8	5/16	6	330-3025	359-6143	359-6144
4046	356-4046	358-4046	5-1/2	5/16	6	330-3009	359-6145	359-6146
4075	356-4075	358-4075	6-1/4 x 8 UN(M)			330-3077	359-6145	359-6146
4080	356-4080	N/A	6	3/8	6	330-3060	359-6143	N/A
4095	356-4095	358-4095	5-1/2	5/16	6	330-3009	359-6145	359-6146
4150	356-4150	358-4150	4-1/2	5/16	5	330-3150	359-6143	359-6144
4195	356-4195	358-4195	6-3/4	5/16	6	330-3118	359-6145	359-6146

Sentinel® ESP (Extended Service Plug)



STEMCO BASE PART NO.	DESCRIPTION
359-6124	ESP Plug Blister Pack (2/pk)
359-6125	ESP Plugs (bulk pack of 50)

Sentinel® ESP Filtered Vent



STEMCO BASE PART NO.	DESCRIPTION
359-6137	Drive Axle Vent (3/8" adapter)

Hub Cap Specifications

Hub Caps with Sentinel® ESP Plug



350-4065

Sentinel® ESP P/N	Description	Bolt Circle	Bolt Size	No. of Bolts	Gasket P/N
350-4065*	4065 Cap, no side fill plug	3-5/8	5/16	4	330-3040
353-4065*	4065 Cap, with side fill plug	3-5/8	5/16	4	330-3040

* Cannot use standard 340 or 343-4065 cap with ESP™ Plug. The casting has been modified to accept the ESP™, therefore, the above part numbers must be ordered to use this application with the ESP™ Plug.

Bulk Pack Hub Caps with Sentinel® ESP Plug

Sentinel® ESP P/N	Description	Bolt Circle	Bolt Size	No. of Bolts	Gasket P/N
300-5009	4009 Cap, no side fill plug Bulk Pack (25/Box)	5-1/2	5/16	6	330-3009
303-5009	4009 Cap, with side fill plug Bulk Pack (25/Box)	5-1/2	5/16	6	330-3009

PSI Ready Hub Cap

Grease
Hub Cap
340 Series

STEMCO Base Part No.	Grease Cap	Oil Cap	Oil Cap with Magnetic Pipe Plug
4009	340-4370	343-4370	343-4374
4075	340-4371	343-4371	343-4375
4195	340-4372	343-4372	343-4376
4384	340-4384	N/A	N/A
Window Kits	359-6141	359-6140	—

Oil
Hub Cap
343 Series

Window kit consists of window, gasket and PSI retainer ring/gasket.

TIREMAAX® HUB CAP

(340/343-4307)
"N" Series Hub Cap

STEMCO P/N	Application	Bolt Circle Diameter	No. of Bolts	Gasket P/N
340-4307	"N" series "GREASE" hub cap	5 1/2"	6	330-3009
343-4307	"N" series "OIL" hub cap	5 1/2"	6	330-3009
340-4311	"P" series "GREASE" hub cap	6 3/4"	6	330-3118
343-4311	"P" series "OIL" hub cap	6 3/4"	6	330-3118

(340/343-4311)
"P" Series Hub Cap

Hubo Bracket for Sentinel® and PSI Hub Caps

STEMCO Part No.	STEMCO Base Part No.	PSI Hub Cap Part No. (Grease)	PSI Hub Cap Part No. (Oil)	Stud Size	Height
610-0084	4195	340-4372	343-4372	5/16	5
610-0028	4009	340-4370	343-4370	5/16	5
610-0090	4075	340-4371	343-4371	*	1 7/8

*Bracket mounts on top of window ring w/4 replacement screws included w/bracket.

Hub Cap Specifications

Popular Hub Cap Options with Bolt Specifications

STEMCO Base Part Number	Standard Hub Cap, No Side Fill	Dirt Exclusion, Grease	Standard Hub Cap, Side Fill	Standard Hub Cap, Hubo Window	Sentinel® Hub Cap	Sentinel® Hub Cap Grease	Solid Aluminum Grease/Vented	Integrated Sentinel® Oil	Integrated Sentinel® Grease	Bolt Circle	Bolt Size	Number of Bolts
	340	342	343	347	348	349	352	356	358			
4009	X	X	X	X	X	X	X	X	X	5-1/2	5/16	6
4013	X	X	X	X	X	X	X	X	X	5-1/2	5/16	5
4024	X	X	X					X	X	4-1/2	5/16	6
4046	X		X		X	X		X	X	5-1/2	5/16	6
4075	X	X	X	X	X	X		X	X	6-1/4 x 8 UN(M)		
4095	X	X	X		X	X	X	X	X	5-1/2 x 5/16		
4195	X	X	X	X	X	X	X	X	X	6-3/4	5/16	6
4249	X	X	X							5-1/2	5/16	6
4281					X	X				5-17/32	3/8	6
4370*	X		X							5-1/2	5/16	6
4371*	X		X							6-1/4 x 8 UN(M)		
4372*	X		X							6-3/4	5/16	6

*PSI Hub Cap

Hub Cap Crossover

Competitive Part No.	Competitor's Name	STEMCO Part No.	Competitive Part No.	Competitor's Name	STEMCO Part No.	Competitive Part No.	Competitor's Name	STEMCO Part No.
1282	C/R	340-4975	401911P	Mechanex/Barrier	340-4975	DG-6F4.5	Dual Dynamics	340-4024
1612	C/R	343-4024	506085	Eaton	343-4024	DG-6F4.5P	Dual Dynamics	343-4013
1623	C/R	343-4066	506089	Eaton	343-4249	DG-6F4.5PC	Dual Dynamics	343-4024
1627	C/R	343-4019	64002	TriSeal	343-4019	DG-6F4.5S	Dual Dynamics	347-4075
1642	C/R	343-4013	64009	TriSeal	343-4009	DG-6FL	Dual Dynamics	340-4249
1643	C/R	343-4249	64009H	TriSeal	347-4009	DG-6FP	Dual Dynamics	347-4009
1665	C/R	343-4042	64013	TriSeal	343-4013	DG-6FPC	Dual Dynamics	340-4024
1681	C/R	343-4186	64024	TriSeal	343-4024	DG-6P	Dual Dynamics	340-4009
1682	C/R	343-4075	64029	TriSeal	343-4186	DG-6PS	Dual Dynamics	343-4009
1696	C/R	343-4195	64034	TriSeal	343-4034	DG-6PSC	Dual Dynamics	340-4046
1703	C/R	343-4249	64042	TriSeal	343-4042	DG-7.5P	Dual Dynamics	340-4195
1711	C/R	343-4024	64046	TriSeal	343-4046	DG-7.5PS	Dual Dynamics	343-4195
1723	C/R	343-4066	64046	TriSeal	343-4095	DG-P	Dual Dynamics	340-4075
1727	C/R	343-4019	64046	TriSeal	343-4249	DG-PS	Dual Dynamics	343-4075
1742	C/R	343-4013	64066	TriSeal	343-4066	DG-PSC	Dual Dynamics	343-4249
1743	C/R	343-4009	64075A	TriSeal	343-4075	H075	National	343-4075
1743	C/R	343-4046	64075G	TriSeal	342-4075	HS1643	Mechanex/Barrier	343-4249
1743	C/R	343-4095	64075P	TriSeal	340-4975	HU009A	National	343-4009
1753	C/R	343-4249	64249	TriSeal	343-4249	HU009A	National	343-4046
1765	C/R	343-4042	812928	Eaton	343-4095	HU013A	National	343-4013
1770	C/R	343-4034	815214	Eaton	343-4195	HU019A	National	343-4019
1781	C/R	343-4186	821338	Eaton	343-4009	HU024A	National	343-4024
1788	C/R	343-4249	821907	Eaton	343-4009	HU028A	National	343-4186
1800	C/R	347-4009	C40-4009	C/R	340-4009	HU034A	National	343-4034
1801	C/R	347-4013	C40-4009BP	C/R	300-4009	HU042A	National	343-4042
1811	C/R	343-4024	C40-4975	C/R	340-4975	HU066A	National	343-4066
1823	C/R	343-4042	C40-4975BP	C/R	340-4975	HU110A	National	343-4095
1842	C/R	343-4013	C40-5097BP	C/R	340-5097	HU110A	National	343-4249
1843	C/R	343-4009	C43-4009	C/R	343-4009	P411601	Mechanex/Barrier	343-4009
1843	C/R	343-4046	C43-4009BP	C/R	303-4009	P411605	Mechanex/Barrier	343-4095
1843	C/R	343-4095	C43-4013	C/R	343-4013	P411605	Mechanex/Barrier	343-4249
1865	C/R	343-4066	C43-4024	C/R	343-4024	P411608	Mechanex/Barrier	343-4013
1870	C/R	343-4034	C43-4042	C/R	343-4042	P411620	Mechanex/Barrier	343-4066
1890	C/R	343-4249	C43-4075	C/R	343-4075	P411622	Mechanex/Barrier	343-4042
340-009	National	340-4009	C43-4095	C/R	343-4095	P411629	Mechanex/Barrier	343-4186
340-009BK	National	300-4009	C43-4098	C/R	343-4098	P411630	Mechanex/Barrier	343-4024
340-975	National	340-4975	C43-4249	C/R	343-4249	P411640	Mechanex/Barrier	343-4034
340-975BK	National	340-4975	DG-5/6P	Dual Dynamics	340-4013	P411655	Mechanex/Barrier	343-4075
343-009	National	343-4009	DG-5/6PS	Dual Dynamics	343-4013	P411688	Mechanex/Barrier	343-4095
343-009BK	National	303-4009	DG-6F	Dual Dynamics	340-4046	P411967	Mechanex/Barrier	343-4046

Hub Cap Specifications

Stamped Steel Grease Hub Caps



340-5094



340-5096



340-5097

Hub Cap Includes Gasket	Bolt Circle	Bolt Size	No. of Bolts	A Height	B Inside Depth	C Flange I.D.	D Flange O.D.	Gasket Number
340-5094	5-1/2	5/16	6	2-1/2	2-13/32	4-3/8	6-1/4	330-3009
340-5096 <input type="checkbox"/>	5-1/2	5/16	6	2-1/2	2-13/32	4-3/8	6-1/4	330-3009
340-5097	5-1/2	5/16	6	2-1/2	2-13/32	4-3/8	6-1/4	330-3009
340-0044 <input type="checkbox"/>	4-1/2	5/16	6	2	1-15/16	3-5/16	5-3/16	330-3024

With Dirt Exclusion vent

Painted black

Solid Grease Hub Cap/Duckbill Vented

STEMCO Part No.	Bolt Circle	Bolt Size	No. of Bolts	Gasket Number
352-4009	5-1/2	5/16	6	330-3009
352-4195	6-3/4	5/16	6	330-3118
362-4009*	5-1/2	5/16	6	330-3009
362-4195*	6-3/4	5/16	6	330-3118

*No Duckbill Vent



352-4195

Non-Vented Grease Hub Caps

STEMCO P/N	Application	Bolt Circle Diameter	Bolt Size	No. of Bolts	Gasket P/N
340-4321	4009 "N" Series Grease-Trailer	5 1/2"	5/16	6	330-3009
340-4322	4195 "P" Series Grease-Trailer	6 3/4"	5/16	6	330-3118



340-4321

Dirt Exclusion Grease Hub Caps

Hub Cap Includes Gasket	Bolt Circle	Bolt Size	No. of Bolts	A Height	B Inside Depth	C Flange I.D.	D Flange O.D.	Gasket Number	Window Kit*
342-4009	5-1/2	5/16	6	2-11/16	1-15/16	4-3/8	6-1/4	330-3009	359-6095
342-4013	5-1/2	5/16	5	2-11/16	1-15/16	4-3/8	6-1/4	330-3013	359-6095
342-4024	4-1/2	5/16	6	2-5/8	1-7/8	3-1/2	5-1/4	330-3024	359-6094
342-4075	6-1/4 x 8 UN(M)			2-5/16	1-9/16	5-3/4	6-7/8	330-3077	359-6095
342-4095	5-1/2	5/16	6	1-13/16	1-1/6	4-9/16	6-3/16	330-3009	359-6095
342-4195	6-3/4	5/16	6	3-11/16	2-15/16	5-7/16	7-1/2	330-3118	359-6095
342-4249	5-1/2	5/16	6	1-13/16	1-11/16	4-7/16	6-3/16	330-3122	359-6096



* Window Kit consists of window, gasket and window ring gasket.

Hub Cap Specifications

4075 Hub Cap Variations



340-4075



570-7008



340-4975

Application	Part Number	Description
Oil	340-4975	Clear polycarbonate hub cap
Oil	343-4075	Cast aluminum hub cap with side fill plug
Oil	343-4371	Cast aluminum hub cap with PSI face & side fill plug
Oil	347-4075	Cast aluminum hub cap with hubo window and side fill plug
Oil	348-4075	Cast aluminum hub cap with Sentinel® Technology & side fill plug
Oil	353-4075	Cast aluminum hub cap with Sentinel® ESP plug & side fill plug
Oil	356-4075	Integrated Sentinel®
Grease/Oil	340-4075	Cast aluminum hub cap & no side fill plug
Grease	342-4075	Cast aluminum hub cap with dirt exclusion window
Grease	340-4320	Solid cast aluminum hub cap & no side fill plug
Grease	340-4371	Cast aluminum hub cap with PSI face & no side fill plug
Grease	340-4976	Clear polycarbonate hub cap with solid face—no vent
Grease	347-4343	Cast aluminum hub cap with hubo window and no side fill plug
Grease	349-4075	Cast aluminum hub cap with Sentinel® Technology & no side fill plug
Grease	350-4075	Cast aluminum hub cap with Sentinel® ESP & no side fill plug
Grease	358-4075	Integrated Sentinel®

Screw-on Caps must have O-rings (330-3077).
Use 570-7008 tool to tighten pro-par hub caps.

Hubodometer® Hub Caps

Hub Cap Includes Gasket	Gasket Part No.	Bolt Circle Diameter	Number Of Holes	Bolt Diameter	Aluminum Equivalent
640-0001*	641-0005	5-1/2	6	5/16	347-4009
640-0002*	641-0017	5-1/2	5	5/16	347-4013
640-0003*	330-3077	6-1/4 x 8 UN(M)			347-4075

* Vented

Accessories

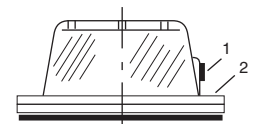


640-0001



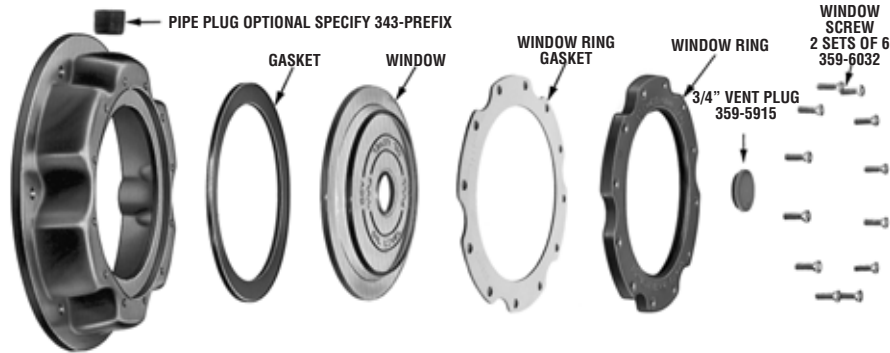
640-0003

Description	Part No.
1-Pipe plug with O-ring	641-0001
2-Supporting hub cap flange 6 hole	641-0003

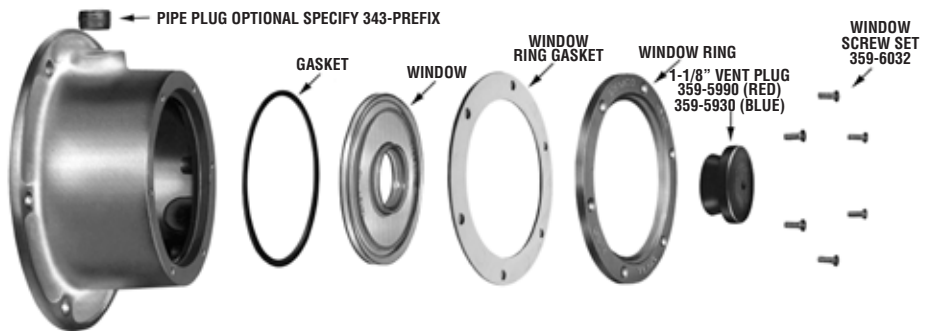


Hub Cap Specifications

Typical 4-3/8" Window Component Parts



Typical 2-3/4" & 3-1/2" Window Component Parts



Standard Hub Cap Replacement Components

Window Diameter	Window	Gasket	Window Ring	Window Ring Gasket	Vent Plug	Screw Set 6/Set	Window Kit ☐	3/8 Pipe Plug ☐
2-3/4"	359-5983	359-5996	359-5997 ☐	359-3136	359-5990 ☐	359-6032	359-5999	359-5985
3-1/2"	359-5994	359-5991	359-5992	359-3127	359-5990 ☐	359-6032	359-5995	359-5985
3-1/2"	359-5981 ☐	359-5991	359-5992	359-3127	None	359-6032	359-6117	359-5985
4-3/8"	359-5918	359-5968	359-5970	359-3137	359-5915	359-6032 ☐	359-5912	359-5985
3-1/2"	359-6049 ☐	359-5991	359-5992	359-3127	359-5915	359-6032	359-6100 ☐	359-5985

- ☐ Window kit consists of window, gasket, window ring gasket and vent plug.
- ☐ Magnetic pipe plug part number 359-5984.
- ☐ 5 hole window ring.
- ☐ Blue vent plug part number 359-5930.

- ☐ Window for mounting Argo, STEMCO, and Veeder-Root hubodometers (17/32" dia. hole). Be sure hub cap has pipe plug filler before mounting.
- ☐ Window with recessed vent plug.
- ☐ Two sets required.

Dirt Exclusion Grease Hub Cap Replacement Components

Window Diameter	Window	Gasket	Window Ring	Window Ring Gasket	Screw Set 6/Set	Window Kit
2-3/4"	359-6086	359-5996	359-5997	359-3136	359-6032	359-6094
3-1/2"	359-6087	359-5991	359-5992	359-3127	359-6032	359-6095
4-3/8"	359-6088	359-5968	359-5970	359-3137	359-6032 ☐	359-6096

- ☐ Two sets required.

Sentinel® Hub Cap Replacement Components

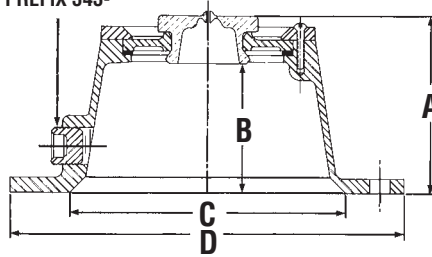
Window Diameter	Window Kit ☐	Gasket	Window Ring Gasket	Screw Set 6/Set	Magnetic Pipe Plug
3-1/2"	359-6112 ☐	359-5991	359-3127	359-6032	359-5984
3-1/2"	359-6120 ☐☐	359-5991	359-3127	359-6032	359-5984

- ☐ Window kit consists of window, gasket, window ring with gasket and Sentinel® red cap cover part number 359-6103.
- ☐ Window kit for oil application.
- ☐☐ Window kit for grease application.

Hub Cap Specifications

Blank Hub Caps

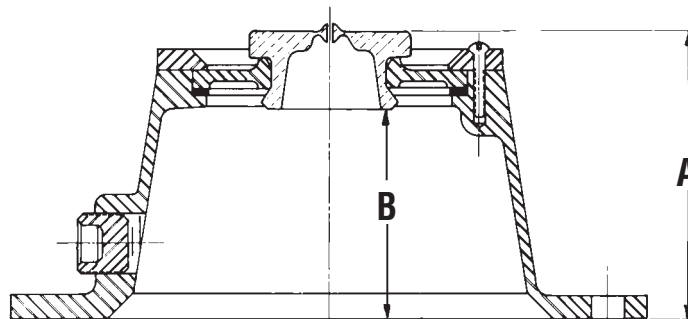
IF PIPE PLUG IS
REQUIRED USE
PREFIX 343-



Hub Cap Includes Gasket	Bolt Circle	Bolt Size	No. of Bolts	A Height	B Inside Depth	C Flange I.D.	D Flange O.D.	Gasket Number
340-4054	None	Blank	None	2-1/8	1-3/8	4-1/32	8-5/8	330-3017

Hub Cap Interchange

This STEMCO hub cap interchange is arranged with hub caps in descending inside depth so that a cap can be replaced by any cap above it within its bolt circle group and without fear of spindle interference.



5" Bolt Circle with Four 1/4" Mounting Bolts

Cap No.	Inside (B)	Outside (A)
340-4028	2-3/8"	3-1/8"

5 - 9/16" Bolt Circle with Three 5/16" Mounting Bolts

Cap No.	Inside (B)	Outside (A)
340-4049	2-1/8"	2-7/8"

5-1/8" Bolt Circle with Six 5/16" Mounting Bolts

Cap No.	Inside (B)	Outside (A)
340-4066	2-1/8"	2-7/8"
340-4042	1-1/8"	1-7/8"

5 - 9/16" Bolt Circle with Six 5/16" Mounting Bolts

Cap No.	Inside (B)	Outside (A)
340-4149	2-1/8"	2-7/8"
340-4249*	1-11/16"	1-13/16"

5-1/2" Bolt Circle with Six 5/16" Mounting Bolts

Cap No.	Inside (B)	Outside (A)
340-4009	1-15/16"	2-11/16"
340-4249*	1-11/16"	1-13/16"
340-4046	1-9/16"	2-5/16"
340-4281*	1-9/16"	2-5/16"
340-4098	1-1/8"	1-1/4"
340-4095	1-1/16"	1-13/16"

5-7/8" Bolt Circle with Six 5/16" Mounting Bolts

Cap No.	Inside (B)	Outside (A)
340-4036	1-5/8"	2-3/8"
340-4092	1-7/16"	1-5/8"
343-4025	5/8"	1-3/8"

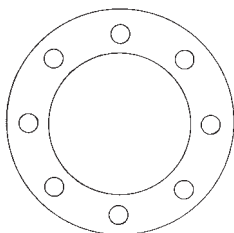
Note: STEMCO does not recommend vehicle widths.

* Hub cap fits both 5-1/2 and 5-9/16 bolt circle with six 5/16" mounting bolts.

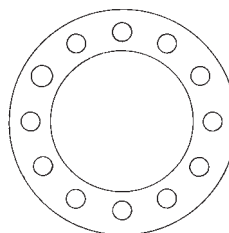
Flange Gasket Specifications

Drive Axle Flange Gasket Dimensions

Type
1
8 Hole



Type
2
12 Hole



STEMCO Gasket No.	Type	I.D.	O.D.	Bolt Circle	Bolt Size	No. of Bolts
330-3036	1	5-1/2"	8-5/8"	7"	3/4"	8
330-3105	2	5-11/16"	7-7/16"	6-1/2"	1/2"	12
330-3106	1	6"	8-1/4"	7"	5/8"	8
330-3107	1	5-5/8"	8-1/2"	7"	3/4"	8
330-3108	1	4"	5-9/16"	4-3/4"	7/16"	8
330-3109	1	4-1/2"	6-1/8"	5-5/16"	1/2"	8
330-3110	1	5-3/8"	7-3/8"	6-3/8"	9/16"	8
330-3111	1	5-3/4"	8-3/8"	7"	5/8"	8
330-3112	1	4"	6-7/16"	5-1/2"	5/8"	8
330-3113	2	4-1/2"	6-1/16"	5-1/4"	1/2"	12
330-3114	2	5"	6-1/2"	5-11/16"	7/16"	12
330-3115	2	4-1/4"	6-1/8"	5-1/4"	1/2"	12

Drive Axle Flange Gasket Applications

STEMCO Part No.	Same As	Part No.	Application
330-3036	--	--	Eaton 38,000# tandem. IHC-RA355.
330-3105	Euclid Meritor White	E 2340 2208Z416 476375	All Meritor Standard Q wheel ends except some SQHP.
330-3106	Euclid Meritor	E 2341 2208W412	All Meritor Standard R wheel ends.
330-3107	Euclid Meritor	E 2431 2208X440	All E18, E19, E38D & 44D series.
330-3108	Euclid	E 2432	Eaton 15 series.
330-3109	Euclid	E 2433	Eaton 30000# Tandem Meritor Standard SFHD & H wheel ends Eaton 17000# singles.
330-3110	Euclid	E 2434	Mack 38000# Tandem axles.
330-3111	Euclid Meritor Kenworth White	E 2435 2208W413 K134 - 171 453157	All Meritor Standard R wheel ends, STD series, SUD series, U wheel ends, SFD 4600, SQHP, SQ100, SQ100P, 4640 Eaton.
330-3112	Euclid	E 2436	IHC 34000# - RA 351 axles.
330-3113	Euclid	E 2437	Meritor Standard L-172 Eaton 18 series and 34D.
330-3114	Euclid Meritor White	E 2438 2208Z422 467836	Meritor Standard L wheel ends except L-172, SJHD, SLHD.
330-3115	G.M.C.	236Z158	Fits 1965 - 1974 G.M.C. - Chev. 18000# Single or 34000# Tandem Eaton 14569.

PROGRAMMABLE FOR ANY TIRE SIZE



DataTrac® Pro
Shown Actual Size

Program over 2500 specific tire models and sizes ensuring customer gets reliable mileage information.



Always Have The Part Number

Stock only one part number with the programmable DataTrac® Pro and program the customer's specific requirement for any tire. With DataTrac® Pro you can also pre-set your own mileage and eliminate lead-time and pre-set charges.

Schedule Maintenance

The DataTrac® Pro is an indispensable tool for scheduling maintenance based on actual mileage rather than time.

Large, Easy-to-Read LCD Display

The display makes data retrieval simple and accurate. Optional flexibility of trip and life readings for precise data collection and management. Numbers automatically position upright for easy verification of mileage.

Compact Size

The compact size makes it easy to mount and dismount tires without removing the DataTrac® Pro from the wheel.

No Moving Parts

Provides improved reliability and durability for the most demanding vocational applications. Each unit is marked with a unique serial number providing additional security and data control.

DATA TRAC[®] PRO

AN INDISPENSABLE TOOL FOR...

- Scheduling maintenance
- Validating guarantees
- Determining lease charges
- Calculating costs-per-mile



Tire Make	Tire Model	Tire Size	STEMCO Mechanical Hubo Miles / KM	Veeder-root P/N miles / KM	DataTrac [®] Pro Miles/KM	*DataTrac [®] Pro REV - Mile/KM
Bridgestone	M726	11R22.5	650-0598/ 650-0537	777717-494/ 777727-306	600-5499/ 600-4310	499 / 310
Bridgestone	M726	11R24.5	650-0584/ 650-0528	777717-475/ 777727-294	600-5476/ 600-4296	476 / 296
Bridgestone	M726	255/70R22.5	650-0622/ 650-0549	777717-572/ 777727-350	600-5564/ 600-4351	564 / 351
Bridgestone	M726	285/75R24.5	650-0595/ 650-0537	777717-494/ 777727-306	600-5499/ 600-4310	499 / 310
Bridgestone	M726	295/75R22.5	650-0605/ 650-0541	777717-510/ 777727-316	600-5514/ 600-4320	514 / 320
Bridgestone	R194	11R22.5	650-0605/ 650-0541	777717-514/ 777727-316	600-5513/ 600-4319	513 / 319
Bridgestone	R194	11R24.5	650-0593/ 650-0534	777717-490/ 777727-306	600-5489/ 600-4304	489 / 304
Bridgestone	R194	255/70R22.5	650-0627/ 650-0552	777717-572/ 777727-359	600-5580/ 600-4361	580 / 361
Bridgestone	R194	285/75R24.5	650-0605/ 650-0541	777717-514/ 777727-316	600-5513/ 600-4319	513 / 319
Bridgestone	R194	295/75R22.5	650-0612/ 650-0545	777717-525/ 777727-326	600-5529/ 600-4328	529 / 328
GoodYear	G104	255/70R22.5	650-0627/ 650-0552	777717-572/ 777727-359	600-5579/ 600-4360	579 / 360
GoodYear	G124	11R22.5	650-0601/ 650-0537	777717-500/ 777727-310	600-5505/ 600-4314	505 / 314
GoodYear	G124	255/70R22.5	650-0626/ 650-0549	777717-572/ 777727-359	600-5572/ 600-4356	572 / 356
GoodYear	G167	11R22.5	650-0598/ 650-0537	777717-500/ 777727-310	600-5501/ 600-4311	501 / 311
GoodYear	G167	295/75R22.5	650-0605/ 650-0541	777717-514/ 777727-326	600-5515/ 600-4320	515 / 320
GoodYear	G314	11R22.5	650-0605/ 650-0541	777717-510/ 777727-312	600-5512/ 600-4318	512 / 318
GoodYear	G314	11R24.5	650-0593/ 650-0534	777717-484/ 777727-300	600-5488/ 600-4303	488 / 303
GoodYear	G314	285/75R24.5	650-0605/ 650-0541	777717-510/ 777727-316	600-5514/ 600-4320	514 / 320
GoodYear	G314	295/75R22.5	650-0613/ 650-0545	777717-520/ 777727-326	600-5529/ 600-4328	529 / 328
GoodYear	G362	11R24.5	650-0584/ 650-0528	777717-475/ 777727-300	600-5478/ 600-4297	478 / 297
GoodYear	G362	285/75R24.5	650-0598/ 650-0537	777717-500/ 777727-310	600-5501/ 600-4311	501 / 311
GoodYear	G362	295/75R22.5	650-0605/ 650-0541	777717-514/ 777727-326	600-5515/ 600-4320	515 / 320
GoodYear	G372	11R24.5	650-0584/ 650-0528	777717-475/ 777727-297	600-5476/ 600-4296	476 / 296
GoodYear	G372	285/75R24.5	650-0598/ 650-0537	777717-494/ 777727-310	600-5497/ 600-4309	497 / 309
GoodYear	G372	295/75R22.5	650-0605/ 650-0541	777717-510/ 777727-316	600-5512/ 600-4318	512 / 318
Michelin	XDA2	11R22.5	650-0598/ 650-0537	777717-500/ 777727-310	600-5502/ 600-4312	502 / 312
Michelin	XDA2	11R24.5	650-0587/ 650-0528	777717-475/ 777727-294	600-5480/ 600-4298	480 / 298
Michelin	XDA2	255/70R22.5	650-0625/ 650-0549	777717-572/ 777727-350	600-5566/ 600-4352	566 / 352
Michelin	XDA2	275/80R22.5	650-0605/ 650-0541	777717-510/ 777727-326	600-5519/ 600-4323	519 / 323
Michelin	XDA2	275/80R24.5	650-0598/ 650-0537	777717-500/ 777727-310	600-5502/ 600-4312	502 / 312
Michelin	XZA2	11R22.5	650-0601/ 650-0539	777717-510/ 777727-316	600-5510/ 600-4317	510 / 317
Michelin	XZA2	11R24.5	650-0591/ 650-0532	777717-484/ 777727-300	600-5485/ 600-4302	485 / 302
Michelin	XZA2	275/80R22.5	650-0610/ 650-0545	777717-520/ 777727-326	600-5526/ 600-4327	526 / 327
Michelin	XZA2	275/80R24.5	650-0601/ 650-0539	777717-510/ 777727-316	600-5509/ 600-4316	509 / 316
Michelin	XZE	255/70R22.5	650-0626/ 650-0549	777717-572/ 777727-359	600-5574/ 600-4357	574 / 357

Order Yours Today!

Product	Part No.
DataTrac [®] Pro	600-9999
Programmer	801-6000

Calibration and Installation

STEMCO calibrations are based at the mid-life of the tire tread (not the depth of new tire tread), one more reason we can guarantee +/-2% accuracy over the life of the tire.

For proper calibration, all you need to know is the tire make, model and size. Refer to the chart for some of the most popular tires.

Hub caps and hub cap mounts and universal brackets are available for all popular makes and models. For quick and easy installation, use any of three different options: (1) aluminum hub cap with hubo window, (2) grilamid Hubodometer hub cap or (3) bracket.

Warranty

STEMCO DataTrac[®] Pro is warranted for 500,000 miles or 4 years, when installed in accordance with its specifications.

STEMCO LP - USA
 P. O. Box 1989
 Longview, TX 75606-1989
 (903) 758-9981 · 1-800-527-8492
 FAX: 1-800-874-4297
 www.stemco.com

STEMCO - Canada
 5650 Timberlea Blvd. Unit B
 Mississauga, ON L4W 4M6
 (905) 206-9922 · 877-232-9111
 FAX: 877-244-4555

STEMCO - Australia
 Unit 6 CNR Rookwood & Muir Roads
 Yagoona NSW 2199
 Phone: 011-61-2-8713-2502
 FAX: 011-61-2-9793-2544

ISO/TS 16949
 STEMCO and DataTrac are registered trademarks
 of STEMCO LP ©2011 STEMCO LP
 Printed in the USA · Part No. 571-3075
 Hudson 10-597 · 03/11



* Indicates the Revolutions per mile or Kilometer used to program the DataTrac[®] Pro from the Program Part screen.

* If you have a DataTrac[®] p/n 600-1xxx for miles and 600-0xxx for kilometers, the unit contains trip. Follow conversion from DataTrac[®] in the table above.

* Mechanical hubodometers are designated for use in a "range" of RPM or RPK, not a "specific" RPM or RPK. For "exact" Revolutions use DataTrac[®] Pro.

RELIABLE MILEAGE INFORMATION WITH GUARANTEED ACCURACY

HUBODOMETER®



STEMCO's drive-less Hubodometer® offers road-proven accuracy backed by a 500,000 mile warranty.

An Indispensable Tool

The STEMCO Hubodometer® is an indispensable tool for scheduling maintenance, determining lease charges, validating guarantees, and calculating costs per mile.

Reliable Mileage Information

Hubodometers® are calibrated to perform on over 2,500 specific tire models and sizes to further ensure reliable mileage information.

Spring-loaded Counterweight

Virtually eliminates spin when tires hit bumps and potholes, your assurance of greater accuracy.

Preset Your Hubodometer®

STEMCO will preset your Hubodometer® with the mileage data you require for a nominal charge. Allow 3 days for shipping.

500,000 Mile Warranty

Guaranteed over-life-of-tire accuracy backed by 500,000 mile warranty

HUBODOMETER®

GUARANTEED ACCURACY

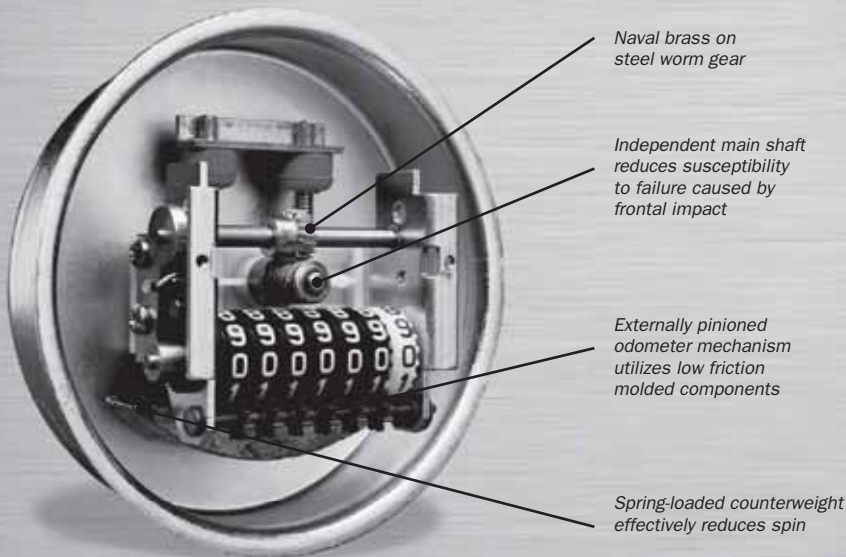


STEMCO®
A Higher Standard of Performance.™
an EnPro Industries company

CONSTRUCTION AND DESIGN

- ☞ Main shaft is independent of front cover, greatly reducing failure caused by frontal impact.
- ☞ Unit is sealed for added durability in a moisture-controlled environment of polycarbonate and steel.
- ☞ Externally pinioned odometer mechanism utilizes low-friction molded components. These features, plus nine permanently lubricated bronze bearings, eliminate wear and ensure long life.
- ☞ Worm drive rotates parts less frequently, reducing wear.
- ☞ Rugged construction. Naval brass on steel. No plastic drive components.

SUPERIOR DESIGN GUARANTEES ±2% ACCURACY



CALIBRATION AND INSTALLATION

To ensure accurate calibration, we've worked with the engineering staffs of all major tire manufacturers. We have compiled fleet data on more than 2,500 tire models and sizes.

In addition, STEMCO calibrations are based at the mid-life of tire tread (not the depth of new tire tread), one more reason we can guarantee ±2% accuracy over the life of the tire.

For proper calibration of any STEMCO Hubodometer®, all you need to know is tire make, model and size. With this information and our Tire Classification catalog (which includes radials and low-profile tires), you can quickly determine the part number for the correct Hubodometer®.

STEMCO offers a pre-set Hubodometer® program at a nominal cost. Pre-set orders are shipped within 3 working days from the Longview, Texas warehouse. For more information, contact STEMCO Customer Service.

For a FREE catalog, call STEMCO at 1-800-527-8492 or your local STEMCO distributor.

Hub caps, hub cap mounts and universal brackets are available for all popular makes and models. For quick and easy installation, use any of three different options: (1) aluminum hub cap with hubo window, (2) grilamid Hubodometer® hub cap or (3) bracket.

WARRANTY

The STEMCO Hubodometer® is warranted for 500,000 miles when installed in accordance with its specifications. See your STEMCO distributor for details.



347-Series

Aluminum Hub cap with Hubo Window



640-Series

Grilamid Hubodometer® Hub Cap



610-Series

Bracket Installation

STEMCO LP - USA
P. O. Box 1989
Longview, TX 75606-1989
(903) 758-9981 · 1-800-527-8492
FAX: 1-800-874-4297
www.stemco.com

STEMCO - Canada
5650 Timberlea Blvd. Unit B
Mississauga, ON L4W 4M6
(905) 206-9922 · 877-232-9111
FAX: 877-244-4555

STEMCO - Australia
Unit 6 CNR Rookwood & Muir Roads
Yagoona NSW 2199
Phone: 011-61-2-8713-2502
FAX: 011-61-2-9793-2544

ISO/TS 16949

STEMCO and Hubodometer are registered trademarks of STEMCO LP ©2011 STEMCO LP Truck Products Division
Printed in the USA · Part No. 571-2905
Hudson 10-182 Rev. 02/11

TQM
TOTAL QUALITY MAINTENANCE™

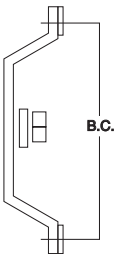
Hubodometer® Specifications

Popular Hubodometers® (in popularity order)

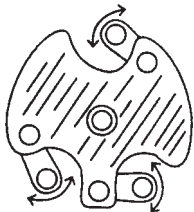


Part Number	RPM	Blank Tenths Part Number	Part Number	RPKM
650-0610	522	650-0611	650-0537	310
650-0598	500	650-0600	650-0532	300
650-0613	532	650-0614	650-0539	315
650-0601	504	650-0602	650-0545	324
650-0605	513	650-0606	650-0541	320
650-0587	480	650-0588	650-0549	357

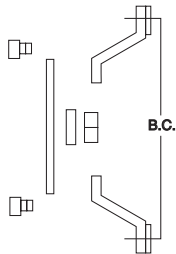
Hubodometer® Brackets



Style A



Style C



Universal Mount

Part Number	Bolt Circle	Stud Size	Height	Part Number	Style
6100001	5 1/4	1/2	1 11/16		A
6100002	5 1/2	5/8	1 11/16		A
6100003	6 3/8 – 6 1/2	1/2 – 9/16	1 11/16		A
6100005	7 1/4	9/16	1 11/16		A
6100006	7	5/8	1 11/16		A
6100007	7	3/4	1 11/16		A
6100008	7 1/2	5/8	1 9/16		A
6100009	7 1/2	5/8	3 11/16		A
6100010	8 5/8	5/8	5 7/16	Mack Mount	A
6100011	5 1/2 – 7 1/2	1/2	1 3/4	Universal Mount	
6100013	5 1/2	7/16	1/4		A
6100014	7 5/8	5/8	4 3/8		A
6100015	2 1/2 – 6 1/2	9/16	1 1/8	Car Mount (5 Stud)	C
6100016	2 1/2 – 6 1/2	5/16 .343	1 1/8	Universal Truck Mount (5 Stud)	C
6100017	5 7/32	5/8	1 11/16		A
6100022	3 9/16	1/2	1/2	Strap and Lock Assembly	
6100023	3 15/16	1/2	1		A
6100024	5 1/2	5/16 – 18 thd	4 1/2	Hardware for Berg Cap	
6100025	4 1/2 – 9	3/16	1 11/16	TMK-90 Truck Mount	
6100028	5 1/2	5/16	5	Sentinel and PSI Caps – 3 Leg	
6100029	6 3/4	5/16	6	Sentinel, PSI, AirGo Caps – 3 Leg	
6100032	7 1/4	9/16	1 1/2		A
6100058	6 1/2	1/2	4 1/2		A
6100059	4	9/16	1 1/2	For Golf Carts	A
6100065	5 1/2	5/16	3 1/2	Fits 4009 Hubcap	A
6100066	6 1/2	5/8	5 1/4		A
6100079	7 1/4	3/4	1 11/16		A
6100084	6 3/4	5/16	5	Sentinel and PSI Caps – 3 Leg, f/4195	
6100090	N/A	N/A	N/A	Mounts on Top of Window Ring	
6100093	262 mm (10.31")	M10	N/A	Meritor Planetary Axle-DTrac Only	
6100094	246 mm (9.70")	M10	N/A	MAN Planetary Axle-DTrac Only	
6410023	N/A	N/A	N/A	Refurb Kit f/MAN Bracket	

Hubodometer® Hub Caps - For Trailer Installations



640-0001



640-0003

Hub cap Includes Gasket	Gasket Part No.	Bolt Circle Diameter	Number of Holes	Bolt Diameter	Aluminum Equivalent
640-0001*	641-0005	5-1/2	6	5/16	347-4009
640-0002*	641-0017	5-1/2	5	5/16	347-4013
640-0003*	330-3077	6-1/4 x 8 UN(M)			347-4075

* Vented

For additional Hubodometer® information, refer to www.stemco.com.

Moisture Ejector

Automatically Eliminates Air System Sludge



The STEMCO Moisture Ejector provides a proven, inexpensive way to help assure the constant removal of oil, carbon, dirt, sludge and water from the air system.

Features and Benefits

☞ **The Moisture Ejector Operates Continuously.** One-second blasts of air occur every time the air compressor governor cuts in and out. These high pressure blasts can powerfully eject over 3 oz. of water, oil and solid contaminants. Over and over, water and other contaminants are purged from the air system.

☞ **Reliable Operation.** In addition to automatic activation, your STEMCO Moisture Ejector can perform reliably for up to five years. Long after some moisture removal systems clog up or lose efficiency.

☞ **Available with Built-in Heater. Excellent for Use on Any Wet Tank.** Use the STEMCO Moisture Ejector on maintenance shop compressor systems, off-highway vehicles, oil field equipment and industrial compressor systems.



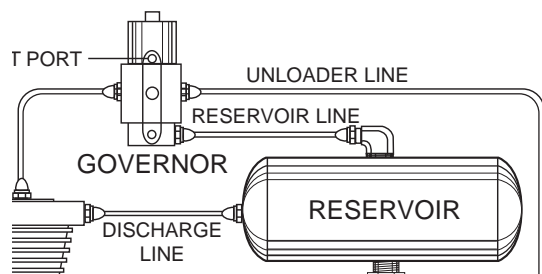
A Higher Standard of Performance.™

Moisture Ejector

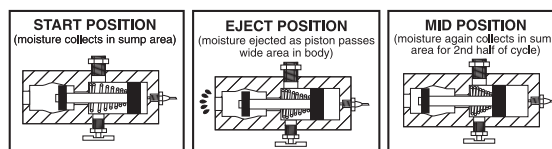
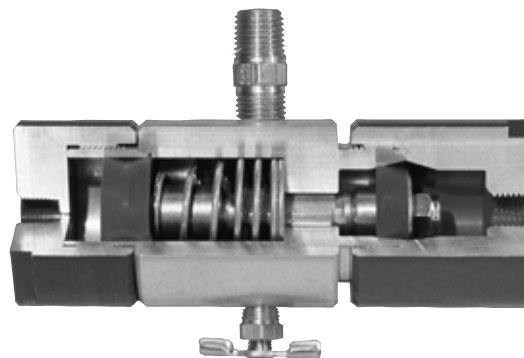
Eliminates Daily Chore of Purging Moisture from the Wet Tank

How the Product Operates

1. The STEMCO Moisture Ejector is connected at the air tank drain with a special 1/4" N.P.T. nipple which is included with ejector.
2. The actuating end connects to the governor unloader port or brake actuating line.
3. The STEMCO Moisture Ejector operates automatically each time the air compressor "cuts in" and "cuts out" when connected to the governor unloader port.
 - A. Air tank pressure furnishes ejection power.
 - B. Up to three ounces (or 5.42 cubic inches) of liquid material can be ejected each time the ejector operates.
 - C. The powerful valve action also ejects foreign matter, carbon compounds, and alkali scales which form in air systems.



PART NO.	DESCRIPTION
STEMCO MOISTURE EJECTOR	
900-1062	Ejector w/Threaded End Cap
900-1063	Ejector w/12V Heater & Threaded End Caps
900-1066	Ejector w/24V Heater & Threaded End Caps
900-1067	Replacement 12V Heater Element
900-1068	Replacement 24V Heater Element
900-1069	Special-Mounting Nipple (1/4" N.P.T.)
900-1080	Ejector Rebuild Kit



Simple Installation

The STEMCO Moisture Ejector is most commonly installed at the wet or primary reservoir drain port. Remove manual drain valve and install STEMCO Moisture Ejector with special 1/4" N.P.T. nipple which is included with the valve. Recommended actuator line is 1/4" O.D. tubing which connects from the actuating port of the STEMCO Moisture Ejector to the unloader port of the governor.

DO NOT remove the threaded nipple supplied with the ejector or change the diameter of the orifice in the actuating end of the unit. The double acting ejector is "balanced" and must have the special nipple and proper orifice size to function properly.

Heated Unit models 900-1063 and 900-1066 have either a 60-watt, 12-volt or 24-volt self-limiting heater element embedded in the body of the ejector. One wire (either one) should be connected to the "hot" side of the ignition and the other wire grounded.

Preventive Maintenance

To assure proper operation and long life of your STEMCO Moisture Ejector, the compartment on the blue actuating end of the unit should be cleaned out at least once in the fall of the year.

This is accomplished by simply removing the actuating air line fitting (blue end) and "blowing-out" with an air hose and nozzle or removing the blue actuating end cap and wiping it out.

STEMCO®

AXLE NUTS

ADVANCED AXLE SPINDLE NUTS

PRO-TORQ®



Longer Tread Life

Fleets save tires, wheels track truer. PRO-TORQ® controls axial motion, holding bearing end play near zero while maintaining exact cup and cone alignment on the spindle. This is good news for radial tires. PRO-TORQ® delivers the adjustment precision which experts agree is needed to maximize radial tire life.

Extended Wheel Seal and Bearing Service

PRO-TORQ® supports seal, bearing and axle manufacturers' specifications. With PRO-TORQ's® tight control on wheel bearing adjustment, fleets minimize premature seal failure and improve extended seal and brake lining programs. PRO-TORQ® compensates for normal bearing wear, permitting precise .001" back-off increments at scheduled preventative maintenance intervals. This keeps bearings properly aligned, running cooler and lasting longer.

Improves ABS

PRO-TORQ's® reliable low end play bearing adjustment and axial motion control helps assure accurate wheel end sensor monitoring of wheel speeds on antilock braking systems.



A Higher Standard of Performance.™
an EnPro Industries company

PRO-TORQ®

Advanced Axle Spindle Nuts



A Higher Standard of Performance.™

an EnPro Industries company

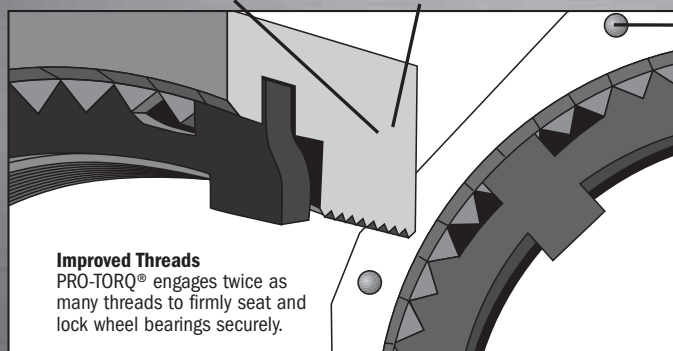
SPINDLE NUT APPLICATIONS	REPLACEMENT KEEPER PART NUMBER	THREAD SIZE	OUTER BEARING CONE/CUP	TOOL SOCKET
TRAILER AXLE				
STEMCO No. 447-4723 Fruehauf Pro-par, Meritor TP *Axle date code post January 1, 2006	450-4723	3.480"-12	HM518445/ HM518410	4 13/16"- 8 point (OTC# 1941)
STEMCO No. 447-4724 22,500#-23,000# Eaton, EST 230-P, EST 225-P, P-22	450-4723	3 1/2"-12	HM518445/ HM518410	4 13/16"- 8 point (OTC# 1941)
STEMCO No. 447-4743 17,000#-22,500# Meritor, Dana, Eaton, Std Forge, Ingersoll	450-4743	2 5/8"-16	HM212049/ HM212011	3 3/4"- 8 point (OTC# 1925)
STEMCO No. 449-4973 Dana Est-230-P, *P22 Axles or TQ *Axle date code prior to January 1, 2006	450-4973	3 1/4"-12	HM518445/ HM518410	4 3/8"- 8 point (OTC# 1917)
STEER AXLE				
STEMCO No. 448-4836 12,000# Meritor, Navistar	450-4836	1 1/2"-12	3782/3720	2 1/2"- 6 point (OTC# 1921)
STEMCO No. 448-4837 12,000# Eaton, Ford, Meritor	450-4837	1 1/2"-18	3782/3720	2 1/2"- 6 point (OTC# 1921)
STEMCO No. 448-4838 Meritor	450-4837	1 1/2"-12	3782/3720	2 1/2"- 6 point (OTC# 1921)
STEMCO No. 448-4839 12,000#, 14,300# Mack	450-4839	1 5/8"-12	45280/45220	2 5/8"- 6 point (OTC# 1922)
STEMCO No. 448-4864 18,000#, 20,000# Mack	450-4864	2"-12	555S/552A	3"- 6 point (OTC# 1906)
STEMCO No. 448-4865 Meritor FL Series	450-4865	1 3/4"-12	555S/552A 3720/3979	3"- 6 point (OTC# 1906)
DRIVE AXLE				
STEMCO No. 449-4904 34,000#, 38,000#, 44,000# Mack	450-4904	2 7/8"-12	47679/47620 575/572 567/563	4 1/8"- 6 point (OTC# 1915)
STEMCO No. 449-4973 34,000#-46,000# Eaton, Meritor, Dana, Navistar, 50,000# Mack	450-4973	3 1/4"-12	580/572	4 3/8"- 8 point (OTC# 1917)
STEMCO No. 449-4974 Meritor, Eaton, Ford, Navistar	450-4743	2 5/8"-12	3984/3920 39590/39520	3 3/4"- 8 point (OTC# 1925)
STEMCO No. 449-4975 19,000# Dana, Navistar, Bluebird	450-4975	2 5/8"-12	3984/3920 39590/39520	3 3/4"- 8 point (OTC# 1925)

Good Wear Resistance

Bearing contact surface is induction hardened. No washers required.

Flat Contact Surface

Improves wheel bearing cup and cone alignment.



Improved Threads

PRO-TORQ® engages twice as many threads to firmly seat and lock wheel bearings securely.

Highly Visible Adjustment Marks

Give mechanics precise control of nut backoff amount during installation.

Infinite Locking Positions

Nut and spring steel keeper mate and lock at any point on the axle spindle in .001" axial increments.

Cost Saving Installation

For more than 10 years, leading fleets have chosen PRO-TORQ® to deliver the longer service life they expect from today's tires, wheel seals and bearings. PRO-TORQ® minimizes variability in wheel bearing adjustment, which means extended maintenance intervals and trouble-free performance from steer, drive and trailer axle wheel ends.

Tight Control on Bearing Adjustment

PRO-TORQ® gives fleets the ability to standardize wheel end maintenance practices and makes repeatable, close tolerance bearing adjustment a reality. From mechanic to mechanic, PRO-TORQ® single nut systems and adjustment procedure will consistently secure the nut with wheel bearing adjustment accuracy in the range of .001-.003" end play.

PRO-TORQ® avoids the extremes of both preload and excessive bearing end play. It gives fleets the tightest adjustment standard in the industry.

Faster to Install, Easier to Lock

PRO-TORQ® assures that bearings are "positive" locked in precise position the first time. That's because PRO-TORQ® uses only one nut — no jamming, juggling or time wasted while repositioning multiple nut assemblies.

Clearance in the threads of traditional "jamming" type nuts can result in a wide range of final settings. A mechanic can unintentionally impose preload on a bearing by overtightening the jamnut. As a result, the outer bearing cone can be pushed further up the spindle and out of its intended position.

PRO-TORQ® takes the guesswork out of bearing adjustment!

STEMCO LP - USA

P. O. Box 1989 · Longview, TX 75606-1989
(903) 758-9981 · 1-800-527-8492 · FAX: 1-800-874-4297
www.stemco.com

STEMCO - Canada

5650 Timberlea Blvd. Unit B · Mississauga, ON L4W 4M6
(905) 206-9922 · 877-232-9111 · FAX: 877-244-4555

STEMCO - Australia

Unit 6 CNR Rookwood & Muir Roads · Yagoona NSW 2199
Phone: 011-61-2-8713-2502 · FAX: 011-61-2-9793-2544

ISO/TS 16949

STEMCO and Pro-Torq registered trademarks
of STEMCO LP ©2010 STEMCO LP
Printed in the USA
Part No. 571-2970
Hudson 10-509 · 08/10



Applications and Specifications

STEMCO Part Number

447-4723

Replacement Keeper No.: 450-4723 TANG
Tool Socket: 4 13/16" - 8 point (OTC# 1941)
Thread Size: 3.480" - 12
Outer Bearing Part No.: HM518445/HM518410

DANA SPICER AXLES * Axle date code
*P-22 Post Jan. 1, 2006

FRUEHAUF AXLES
PROPAR Series

HENDRICKSON AXLES
HP

INGERSOLL AXLES
F24H

MERITOR AXLES
TP Series

STEMCO Part Number

447-4724

Replacement Keeper No.: 450-4723 TANG
Tool Socket: 4 13/16" - 8 point (OTC# 1941)
Thread Size: 3 1/2" - 12
Outer Bearing Part No.: HM518445/HM518410

EATON AXLES
EST 230-P, EST 225-P, P-22

STEMCO Part Number

447-4743

Replacement Keeper No.: 450-4743 TANG
Tool Socket: 3 3/4" - 8 point (OTC# 1925)
Thread Size: 2 5/8" - 16
Outer Bearing Part No.: HM212049/HM212011

DANA SPICER AXLES
D-20, D-21, D-22, DD-21, DD-22, K-21, K-22, K-25,
K-30

EATON AXLES
C, C2, CD, CD2, CE, ESA-225J, EST, EST-225J, EST-
230J, ETA 230C, ETA 225D, ETA 225J, H23L, H25R,
HCE, HJ, HJE, J, JE, JH, LA-15, T-18C, 20L-77, 22L,
22R, 23L, 23R, 25R

continued...

447-4743 Continued

HENDRICKSON AXLES
HN

INGERSOLL AXLES
A22T

MERITOR AXLES
RL Series, RQ Series, TK Series, TKL Series, TKLD
Series,
TL Series, TLD Series, TN Series, TND Series,
TQ Series, TQC Series, TQD Series

STANDARD FORGE
A25, A26, 17,000 and 18,000 lb. Trade

STEMCO Part Number

448-4836

Replacement Keeper No.: 450-4836 D-FLAT
Tool Socket: 2 1/2" - 6 point (OTC# 1921)
Thread Size: 1 1/2" - 12
Outer Bearing Part No.: 3782/3720

DANA SPICER AXLES
D10

EATON AXLES
X-115

FRUEHAUF AXLES
Model 5, TKF

MERITOR AXLES
T-1100

STANDARD FORGE
T 8.5-S

STEMCO Part Number

449-4973

Replacement Keeper No.: 450-4973 TANG
Tool Socket: 4 3/8" - 8 point (OTC# 1917)
Thread Size: 3 1/4" - 12
Outer Bearing Part No.: 580/572
*HM518445/HM518410

DANA SPICER AXLES * Axle date code
EST-230-P, Prior to Jan. 1, 2006
*P-22 TQ

MERITOR AXLES
TR

Pro-Torq® Steer Axle Nuts

Applications and Specifications

STEMCO Part Number

448-4836

Replacement Keeper No.: 450-4836 D-FLAT
Tool Socket: 2 1/2" - 6 point (OTC# 1921)
Thread Size: 1 1/2" - 12
Outer Bearing Part No.: 3782/3720

MERITOR AXLES

FD 900, FD 901, FD 961, FE 900, FE 903, FF 900,
FF 901, FF 921, FF 931, FF 932, FF 933, FF 941, FF
942, FF 943, FF 944, FF 952, FF 961, FG 941

NAVISTAR

I100S

STEMCO Part Number

448-4837

Replacement Keeper No.: 450-4837 TANG
Tool Socket: 2 1/2" - 6 point (OTC# 1921)
Thread Size: 1 1/2" - 18
Outer Bearing Part No.: 3782/3720

EATON AXLES

EFA-12F4, EFA-13F5, E-1200I, FE 931, 12K, 13.2K

FORD AXLES

SIFCO 12,000#., FORD 6,000 lb.

MERITOR AXLES

FE-931

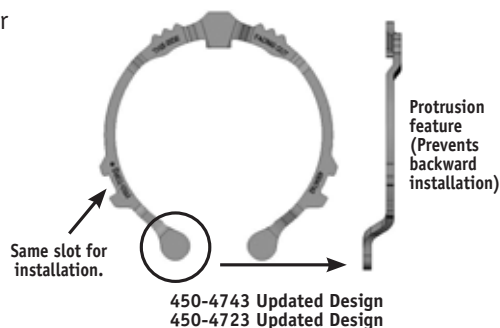
STEMCO Part Number

448-4838

Pro-Torq Nut Number: 448-4836 TANG
Replacement Keeper No.: 450-4837
Tool Socket: 2 1/2" - 6 point (OTC# 1921)
Thread Size: 1 1/2" - 12
Outer Bearing Part No.: 3782/3720

MERITOR AXLES

Steer



STEMCO Part Number

448-4839

Replacement Keeper No.: 450-4839 D-FLAT
Tool Socket: 2 5/8" - 6 point (OTC# 1922)
Thread Size: 1 5/8" - 12
Outer Bearing Part No.: 45220/45280

MACK FRONT AXLES

FAW12, FAWL12, FAW537, FAW5371, FAW14.3,
FAW538, FAW10.5, FAW536, FAW5361

STEMCO Part Number

448-4840

Replacement Keeper No.: 450-4836 D-FLAT
Tool Socket: 2 1/2" - 6 point (OTC# 1921)
Thread Size: 1 1/2" - 18
Outer Bearing Part No.: 3782/3720

HENDRICKSON AUXILIARY AXLE

13,000# Ultra Axle

STEMCO Part Number

448-4863

Replacement Keeper No.: 450-4863 D-FLAT
Tool Socket: 3 1/2" - 6 point (OTC# 1910)
Thread Size: 2 1/4" - 12

ARVINMERITOR® FH AXLE

Steering Spindle
16,500 lbs GAW

STEMCO Part Number

448-4864

Replacement Keeper No.: 450-4864 D-FLAT
Tool Socket: 3" - 6 point (OTC# 1906)
Thread Size: 2" - 12
Outer Bearing Part No.: 5552A/555S

MACK FRONT AXLES

FA18, FAW18, FAW616, FA616, FA20, FAW20,
FAW617, FA617, FAW16, FAW614

STEMCO Part Number

448-4865

Replacement Keeper No.: 450-4865 D-FLAT
Tool Socket: 3" - 6 point (OTC# 1906)
Thread Size: 1 3/4" - 12
Outer Bearing Part No.: 552A/555S, 3979/3720

MERITOR FRONT AXLES

FL

Applications and Specifications

STEMCO Part Number

447-4743

Replacement Keeper No.: 450-4743 TANG

Tool Socket: 3 3/4" - 8 point (OTC# 1925)

Thread Size: 2 5/8" - 16

Outer Bearing Part No.: HM212049/HM212011

MERITOR AXLES

F Series, H Series

STEMCO Part Number

449-4904

Replacement Keeper No.: 450-4904 TANG

Tool Socket: 4 1/8" - 6 point (OTC# 1915)

Thread Size: 2 7/8" - 12

Outer Bearing Part No.: 563/567, 572/575, 47620/47679

MACK AXLES

S-34, S-38, S-44, S-462, SW-56, SW-57, SW-441

STEMCO Part Number

449-4973

Replacement Keeper No.: 450-4973 TANG

Tool Socket: 4 3/8" - 8 point (OTC# 1917)

Thread Size: 3 1/4" - 12

Outer Bearing Part No.: 580/572

DANA SPICER AXLES

W 230-S, W 460-S

EATON AXLES

D 380, D 381, D 380-P, D 381-P, D 400, D 401, D 400-P, D 440-P, D 401-P, D 402-P, D 451-P, D 460-P, D 480-P, D 485-P, DP 380, DP 381, DP 380-P, DP 381-P, DP 340, DP 341, DP 400-P, DP 401-P, DP 440-P, DP 460-P, DP 480-P, DP 550, DP 580-P, DP 650-P, DS 340, DS 341, DS 344, DS 380, DS 381, DS 380-P, DS 381-P, DS 400-P, DS 401-P, DS 404-P, DS 400-P, DS 460-P, DS 480-P, DS 454-P, DT 340, DT 341, DT 380, DT 381, DT 380-P, DT 381-P, DT 400-P, DT 440-P, DT 460-P, DT 480-P, RS 341, RS 381, RS 402, RS 401, RS 460, RS 461, RT 402, 44, 440P, 480P, 1911, 1919, 2011, 19500, 20500, 20501

MACK AXLES

50,000#

MERITOR AXLES

Q Series, QHD, QHR, QT Series, R Series, RL-170, RS Series, RT Series, S Series, S 170, S 280, SQ 100, SQ 100-P, SQD, SQDD, SQHD, SQHP, SQHR, SQR, SQW, SR 170, SR 270, SR 280, SRD, SRDD, SRHD, SSHD, SSSH,

449-4973 Continued

SP, STD, STDD, STHD, SU 170, SU 270, SU 280, SUHD, SW 170, SW 270, SW 280, T Series, U Series, 58000 Series, 59000 Series, 200

NAVISTAR AXLES

14227, 14308, 14309, 14311, 14338, 14342, 14943, 14348, 14364, 14368, 14494

STEMCO Part Number

449-4974

Replacement Keeper No.: 450-4743 TANG

Tool Socket: 3 3/4" - 8 point (OTC# 1925)

Thread Size: 2 5/8" - 12

Outer Bearing Part No.: 3984/3920, 39590/39520

EATON AXLES

D, DT, 32M, 34M, MF, MR, RP, RT, 17800, 17801

FORD AXLES

18,000# Rear

MERITOR AXLES

H-145, H-162, H-172, H-240, H-262, H-350, H-362, L-172

NAVISTAR AXLES

14044, 14186, 14351, RA44

STEMCO Part Number

449-4975

Replacement Keeper No.: 450-4975 TANG

Tool Socket: 3 3/4" - 8 point (OTC# 1925)

Thread Size: 2 5/8" - 12

Outer Bearing Part No.: 3984/3920, 39590/39520

DANA AXLES

J190S

FORD AXLES

GMC

NAVISTAR AXLES

REAR AXLE SCHOOL BUS APPLICATION

19,000#

Pro-Torq® Interchange Guide

PRO-TORQ® Advanced Spindle Nuts

Axilok	STEMCO	BWP	STEMCO	Euclid	STEMCO
AX 12-1500	448-4836	M-1986	447-4743	E-540	447-4743
AX 12-3250	449-4973	M-1990	449-4973	E-572	447-4743
AX 12-3480	447-4723	M-1992	449-4973	E-576	448-4836
AX 12-3500	447-4724	M-1996	447-4723	E-1087	448-4836
AX 16-2625	447-4743			E-2296	448-4836
AX 18-1500	448-4837			E-2299	448-4836
Batco	STEMCO	Ceromet	STEMCO	E-2303	449-4973
06-201	447-4743	150012	448-4836	E-2305	449-4973
06-203	447-4743	150018	448-4837	E-2420	447-4743
06-204	448-4836	262512	449-4974	E-2422	447-4743
06-210	448-4836	262516C	447-4743	E-2460	447-4743
06-226	447-4723	325012	449-4973	E-2466	449-4973
06-348	448-4837	348012	447-4723	E-2468	449-4973
06-354	448-4836	348012E	447-4724	E-2550	447-4723
06-358	448-4836	K1501	450-4836	E-4861	448-4837
06-403	447-4743	K1502	450-4837	E-6140	449-4973
06-404	447-4743	K2625	450-4743		
06-411	449-4973	K3250	450-4973	Ford	STEMCO
06-412	449-4973	K3480	450-4723	D5HZ-3104A	448-4837
06-424	447-4743	Dana	STEMCO	D7HZ-4255A	449-4974
06-425	447-4743	10284	447-4743	D7HZ-4245A	449-4974
06-470	449-4974	10286	447-4743	E4HS-4255-AA	449-4973
06-472	449-4974	10406	447-4743	F2HS-3276-AA	448-4837
06-482	449-4973	10408	447-4743		
06-484	449-4973	Eaton	STEMCO		
BWP	STEMCO	F-940	447-4743		
M-682	447-4743	F-941	447-4743		
M-684	447-4743	F-1529	447-4743		
M-685	448-4836	F-1530	447-4743		
M-1524	448-4836	X-115	448-4836		
M-1956	448-4836	11249	449-4973		
M-1959	448-4836	19186	447-4743		
M-1972	447-4743	31927	449-4973		
M-1974	447-4743	34090	447-4743		
M-1978	449-4973	128333	448-4837		
M-1980	449-4973	820394	447-4743		
M-1984	447-4743	820395	447-4743		

Pro-Torq® Interchange Guide

PRO-TORQ® Advanced Spindle Nuts

Fruehauf	STEMCO	Meritor	STEMCO	Transit	STEMCO
ACE-8510-001 530088	447-4723 448-4836	1227-R-330 1227-R-1240 1227-T-228 1227-T-540 1227-U-541 1227-W-517 1227-X-102 1227-Z-1040 1227-P-1160	449-4973 449-4973 447-4743 447-4743 448-4836 449-4973 448-4836 449-4974 447-4743	TP-1970 TP-1973 TP-1977 TP-1978 TP-1988 TP-1989 TP-1997 TP-1999	448-4836 448-4836 449-4973 449-4973 447-4743 447-4743 447-4743 447-4743
K-B Axle	STEMCO	Navistar	STEMCO		
KBE-10227	447-4743	1607743C1 1607744C1 2037474C1 2501559C1	448-4836 449-4973 448-4837 449-4974		
Kershaw	STEMCO	Spicer	STEMCO		
10284 10286	447-4743 447-4743	M10HN101 M10HN102 M10HN128 M10HN158 M103102-001	447-4743 447-4743 448-4836 447-4743 447-4743		
Leland	STEMCO	Std. Forge	STEMCO		
L-176 L-178 L-195 L-1331 L-1334 L-1347 L-1349 L-1353 L-1355 L-1359 L-1361 L-1365 L-1367 L-1395	447-4743 447-4743 448-4836 448-4836 448-4836 447-4743 447-4743 449-4973 449-4973 447-4743 447-4743 449-4973 449-4973 447-4723	103100-1 103102-001 103103-002 103104-001 103105 105013	447-4743 447-4743 447-4743 447-4743 448-4836 447-4743		
Meritor	STEMCO	Transit	STEMCO		
A-1227-A-105 A-1227-S-331 1227-B-106 1227-B-756 1227-B-1484 1227-C-549 1227-E-1045 1227-K-947 1227-K-1389 1227-L-194 1227-M-715	448-4836 449-4973 448-4836 447-4743 447-4723 447-4743 449-4974 448-4837 447-4723 448-4836 449-4974	TP-157 TP-431 TP-489 TP-490 TP-1572 TP-1943	448-4836 448-4836 447-4743 447-4743 449-4973 449-4973		

PRO-TORQ® SPINDLE NUT WARRANTY

STEMCO warrants that all Product shall conform to descriptions on purchase orders, and shall be free of defects in materials and workmanship which would be discovered by following STEMCO's standards of manufacture and inspection at the time said Product was manufactured. This warranty shall remain in effect for one year following shipment of Product. This warranty is limited to repairing or replacing Product which the parties investigation show were defective at the time of delivery.

All Product subject to this warranty will be returned, F.O.B.: STEMCO LP, 300 Industrial Blvd., Longview, TX 75602, for examination, repair, or replacement.

This warranty does not cover any defect, malfunction, or failure caused by or resulting from improper or unauthorized service maintenance, installation, repair, or use not within the working specifications for which Product was designed, or from abuse, neglect, tampering with, or any other cause beyond the control of STEMCO.

PRO-TORQ® is the registered trademark of STEMCO.

Specifications contained in this catalog were in effect at the time the publication was approved for printing, and are subject to change without notice or liability.



STEMCO®

A Higher Standard of Performance.™

STEMCO - USA

P.O. Box 1989 • Longview, TX 75606-1989
(903) 758-9981 • 1-800-527-8492 • FAX: 1-800-874-4297
www.stemco.com

STEMCO - Canada

5900 Ambler Drive, Units 4 & 5 • Mississauga, ON L4W 2N3
(905) 206-9922 • 877-232-9111 • FAX: 877-244-4555

ISO/TS 16949

STEMCO® Platinum Performance System

PLATINUM PERFORMANCE SYSTEM™

PLATINUM PLUS PERFORMANCE SYSTEM™

The STEMCO Platinum Performance Systems combine premium products that work as a system to ensure the most comprehensive wheel end performance available. All of the significant failure modes found in a typical wheel end have been addressed. High performance STEMCO components are used to specifically enhance three critical areas – sealing, lubricant integrity, and bearing life due to accurate bearing adjustment. By addressing these critical performance areas with advanced technology components, customers are able to use standard hubs and axles for wheel ends that provide outstanding performance at the lowest cost in the industry.

STEMCO now offers a choice of two long-life systems with extended warranty coverage, plus the assurance of a dramatic increase in performance that will lower maintenance costs and protect wheel end investment.

Four Technologically Advanced Products



Guardian® HP

Long-life, axle-installed seal features a high performance sealing lip, and superior contamination exclusion.

Discover®

Long-life, high performance hub-installed seal features a unitized design using a high temperature elastomeric co-polymer sealing element combined with Teflon®.



Endeavor

The Endeavor® seal features a high temperature elastomeric co-polymer sealing element. The revolutionary design incorporates hydrodynamic “pumping” features to keep the lubricant where it is intended to be.



PRO-TORQ®

Advanced Axle Spindle Nuts

Controls axial motion, holding bearing end play at .001” to .003.” That means wheels track truer for longer tire life, extended wheel seal and bearing life and more accurate wheel end sensor monitoring on ABS.



SENTINEL®

The heart of the Platinum Performance System.™ The Sentinel® tamper-proof hub cap technology provides an unmatched filtering system for wheel ends to eliminate contamination of the lubricant from grime, dirt, or water.



Integrated Sentinel® Hub Cap

Integrates the Sentinel® Technology directly into the hub cap with fewer components and greater wheel end visibility.



HEAVY DUTY BEARINGS

STEMCO is able to supply your wheel bearing needs by providing bearings that offer safety, reliability, and performance from a single source. You can be assured that each STEMCO bearing conforms to our stringent quality and performance standards. STEMCO bearings optimize the performance that fleets expect.

STEMCO® Platinum Performance System

PLATINUM PERFORMANCE SYSTEM™

3 YEAR LIMITED WARRANTY

- Guardian® HP, Discover® or Endeavor®
- Pro-Torq® Nut
- Sentinel® or Integrated Sentinel® Hub Cap
- STEMCO Bearings (optional)
- Available for OEM Spec or Fleet Retrofit

PLATINUM PLUS PERFORMANCE SYSTEM™

5 YEAR LIMITED PARTS & LABOR WARRANTY

- Guardian® HP, Discover® or Endeavor®
- Pro-Torq® Nut
- Sentinel® or Integrated Sentinel® Hub Cap
- STEMCO Bearings
- Available for OEM Spec Only

STEMCO Long-life Wheel End Systems Offer:

- **Simplicity** – Proven, known wheel end design.
- **Low Cost** – No costly equipment changes.
- **Durability** – Uses high performance components for sealing, bearings, bearing adjustment and lubricant protection.
- **Field Serviceable** – Standard hub, axle, lubricant and bearings.
- **Reliability** – Address traditional wheel end failure areas with high performance technology products working as a system.



NEW BRAKE SHOES



STEMCO Brake Products New Brake Shoes OEM Quality, Safety, Dependability

- **HEAT TREATING** roller and anchor ends hardens the steel and prevents distortion and mushrooming. Such wear, often found on relined shoes, can result in slippage and cause excessive wear, shortening the life of your shoe.
- **SEAM-WELDING** the webs and tables provides complete welding along the entire brake shoe. Unlike competitors who only spot weld their shoes, STEMCO Brake Products has gone the extra mile to prevent catastrophic failure.
- **E-COATING** stops rust before it starts by electromagnetically bonding the paint to the steel of every new brake shoe, preventing rust-jacking. STEMCO Brake Products shoes are environmentally tested to withstand 1,000 hours of salt spray testing.
- **THICKER STEEL** is used on STEMCO Brake Products brake shoes than on competing brands. STEMCO Brake Products brake shoes are 12 thousandths of an inch thicker than competing shoes for enhanced performance and durability.
- **HARDWARE KITS** are all built to STEMCO Brake Products' high standards for quality, safety and dependability. Hardware kits contain stainless steel bushings, zinc-chromate coated rollers and E-coated springs, designed to be rust-resistant and improve the dependability of your brakes.



STEMCO BRAKE PRODUCTS ALSO OFFERS A FULL LINE OF HIGH PERFORMANCE BRAKE LININGS.

HORIZON SP™

CREST XL

VISTA HP™

ULTRA PEAK™ BRT

ULTRA PEAK™ HH

ULTRA PEAK™ FT

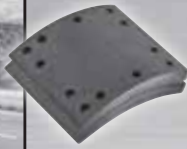


High performance friction with superior service and support. Contact us for brake training.

**STEMCO
BRAKE PRODUCTS™**

www.stemcobreakeproducts.com

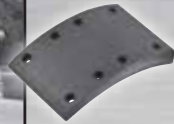
High Performance Brake Linings



HORIZON SP™ The value and performance choice for highway applications.

Horizon SP was specially designed to be a cost effective solution for your long-haul needs. Horizon SP is the standard performance friction formulation for normal-duty cycles, operating environments and loads.

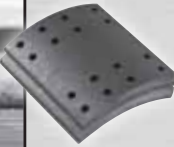
Axle Rating: Horizon SP20 - 20,000 lbs. Horizon SP23 - 23,000 lbs.



CREST XL™ Extra life choice for demanding highway applications.

Whether you're driving an over-the-road truck, tractor or trailer, this unique brake lining is perfect for moderate to heavy-duty long-haul applications. Crest XL exceeds the performance of the competition in the same category due to its superior formulation combined with the Wave Process.

Axle rating: 20,000 lbs.



VISTA HP™ The high performance choice for demanding applications.

If you're looking for superior performance on buses, trucks, tractors or trailers, then look no further. Vista HP offers smooth, noise-free and stable stopping power over a wide range of temperature, pressure and speed variations. As a result, Vista HP high-performance brake linings are ideally suited for the rigors of stop-and-go service.

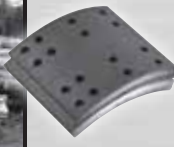
Axle Rating: Vista HP- 23,000 lbs. Vista HP1- 25,000 lbs.



ULTRA PEAK™ BRT Superior technology for bus, refuse and transit applications.

For maximum performance in bus, refuse and transit applications, choose Ultra Peak BRT. This high-quality brake lining has been specially formulated to run quieter and extend lining life and drum life with excellent flexural strength. Ultra Peak BRT has been FMVSS 121 rated up to 26,000 lbs. for transit platforms. In addition, extraordinary flexural strength eliminates the failure mode of friction cracking.

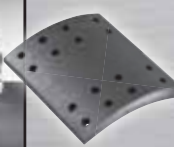
Axle Rating: 23,000 - 26,000 lbs.



ULTRA PEAK™ HH Superior performance for your heavy-haul truck.

Your heavy-haul truck demands superior performance. That's why we offer Ultra Peak HH. This lining was specifically designed for severe service. This combination set includes two heavy-duty premium high-temperature products. Ultra Peak HH has high thermal diffusivity and reduces noise.

Axle rating: 23,000 lbs.



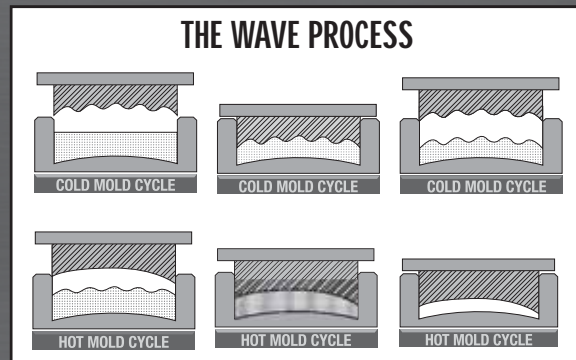
ULTRA PEAK™ FT Outstanding performance for specialty applications.

For specialty applications where performance is key, Ultra Peak FT incorporates the finest raw materials and superior technology to assure maximum performance in the most severe transit and refuse environments. In addition, Ultra Peak FT offers extended brake life cycles and reduces noise.

Axle rating: 26,000 - 29,000 lbs.

CATCH THE WAVE.

Our patented and revolutionary "Wave Process" assures higher performance and a longer life along with a lower noise level. This patented technology begins with the cold mold cycle, which creates the unique wave pattern. Hot molding then forces the waves to condense under heat and pressure. Aligning the friction density into column structures assures less heat susceptibility, which results in quieter, longer lasting brakes.



Friction Manufacturers Interchange

Manufacturer	20,000 lb. AXLE MATERIALS					23,000 lb. AXLE MATERIALS			25,000 – 29,000 lb. AXLE MATERIALS	
	Economy	Standard	Premium	Economy	Standard	Heavy Duty Premium	High Performance Long Life	Severe Service	Transit	Film Transfer
STEMCO BRAKE PRODUCTS.										
Federal Mogul ABEX	VL20	AN6166 XL6014	EN6008-1 EL6011	VL23	AX6149	EX685 SDA6098	Ultra Peak BRT	Vista HP1	Ultra Peak BRT (26K) Ultra Peak FT (29K)	Ultra Peak FT (29K)
Affinia Brake Pro	CM16A CM19A			CM18A	CM21A	CM20	CM22A1	CM29	Metro Combo 685/697 (26K)	CCM2429 (29K) CCM2425
Carlisle	EC20 NA100	MB20	MB21 CF2000	EC23	MB44	MB23	WT56	SD1 MB60	TG2 (26K) WT56 (26K)	
Cobreq	NABK334	NABK090	NABK102	NABK091	NABK110			NABK132	NABK142 (26K) NABK110 (26K)	
Fras-le	F520 F540-1	F550-1		F523	F555-1	F557		F587	787T (28K) F557 (26K)	

STEMCO BRAKE PRODUCTS™



HORIZON SP™ CREST XL™ VISTA HP™ ULTRA PEAK™

To see the full product offering of high performance friction products, visit www.stemcobreakeproducts.com

P.O. Box 1989, Longview, Texas 75606-1989. Tel: 903-758-9981. Fax: 903-232-3508

STEMCO Brake Products, Horizon SP, Crest XL, Vista HP and Ultra Peak are trademarks of STEMCO LP.

Private Label Reference

	20,000 lb. AXLE MATERIALS			23,000 lb. AXLE MATERIALS			25,000 - 29,000 lb. AXLE MATERIALS			
STEMCO BRAKE PRODUCTS	Horizon SP20	Crest XL		Horizon SP23	Vista HP	Ultra Peak BRT	Vista HP1	Ultra Peak BRT (26K) Ultra Peak FT (29K)	Ultra Peak FT (29K)	
Private Label	Economy	Standard	Premium	Economy	Standard	Heavy Duty Premium	High Performance Long Life	Severe Service	Transit	Film Transfer
ArvinMeritor	F520 F540 EG1	F550-1 MG1	MA210 MA212 R201	F523 EG2	F555-1 MG2L MG2	MA310 MA312 R301 F557		R403 F587	787T (28K) F557 (26K) R685/R687 (26K)	
Bendix/Spicer	GREEN	BLUE SILVER	ES310 ES410 ES420		RED YELLOW GOLD	ES600 ES690 ES440		ES1050		
BRF/UAP		M20			M23					
Haldex	2017 (GN) HV77 HV76	2008 (GF)	2015-2 (GR) 2025 (GW) WEDGE	2016 (GD) HV88	2023 (GH)	2020-1 (GG)		2035 (GZ) 2040 (GM) 2030 (GP)	TRANS MAX (TM)	
HD America	H20F	H20		H23F	H23					
Marathon	MV20	UB	HS20	MV23		HS FLOE MBC MBS		TS	HST (25K) KVT (26K) MBST (26K)	
Fleet Pride	OTRI OTR BLACK	OTRII OTR BLUE		OTRIII OTR GREEN	OTRIV OTR RED	OTRV OTR ORG		OTRVI OTR GLD		
Truck Pro	AR1			AR2		AR3	AR4	AR5		

STEMCO-USA
P.O. Box 1989, Longview, Texas 75606-1989 • 903-758-9981 • 1-800-527-8492
STEMCO-Canada
5650 Timberlea Blvd. Unit B • Mississauga, ON L4W 4M6 • (905) 206-9700
www.stemcobrakeproducts.com

STEMCO
BRAKE PRODUCTS™

Engineering Changes

Various sets and components have been discontinued or replaced during STEMCO's many years of service to the industry. Wherever possible, suggested replacements are noted.

Discontinued	Replaced By	Date	Reason
307-0746	307-0723	Nov-97	Obsolete
310-1001	310-1095	Jan-71	Product Improvement
310-1002	310-1093	Mar-70	Spindle Shoulder
310-1003	N/A	Oct-95	Set was 372-7020
310-1004	N/A	Sep-87	Obsolete
310-1005	N/A	Nov-97	Obsolete
310-1006	N/A	Nov-97	Obsolete
310-1007	392-9007	Nov-97	Obsolete
310-1009	382-8052	Nov-97	Obsolete
310-1010	N/A	Oct-95	Set was 372-7005, 372-7055
310-1011	N/A	Oct-95	Set was 382-8023
310-1012	393-0112	Mar-08	Product Improvement
310-1014	N/A	Oct-95	Set was 392-9061
310-1015	N/A	Dec-84	Obsolete
310-1017	382-8017	Nov-97	Obsolete
310-1020	N/A	Oct-86	Obsolete
310-1021	N/A	Oct-95	Set was 372-7025, 392-9021, 392-9046
310-1023	N/A	Sept-98	Obsolete
310-1024	310-1079	Nov-68	Product Improvement
310-1025	310-1088	Apr-69	Product Improvement
310-1026	315-1508	Sept-98	Obsolete
310-1027	N/A	Nov-97	Obsolete
310-1028	N/A	Mar-08	Still available in 382-8028 set
310-1029	N/A	Oct-95	Set was 382-8029
310-1030	N/A	Mar-86	Obsolete
310-1031	310-1051	Nov-65	Product Improvement
310-1032	382-8032	Nov-97	Obsolete
310-1033	N/A	Dec-84	Obsolete
310-1034	N/A	Mar-08	Still available in 382-8028 set
310-1035	N/A	Oct-95	Set was 382-8035
310-1036	382-8036	Jan-03	Still available in 382-8036 set
310-1037	See 382-8064	Sept-98	Obsolete
310-1038	383-0139	Sept-99	Product Improvement
310-1042	N/A	Apr-90	Set was 382-8016
310-1044	N/A	Oct-95	Set was 372-7017
310-1045	N/A	Nov-97	Obsolete
310-1047	N/A	Oct-95	Set was 372-7008
310-1049	N/A	Dec-84	Obsolete
310-1050	382-8010	Nov-97	Obsolete
310-1052	382-8009	Nov-97	Obsolete
310-1054	N/A	Oct-95	Set was 372-7004
310-1054	N/A	Oct-95	Ring was 310-1113 (Obso) in 392-9020 set
310-1055	N/A	Oct-96	Obsolete
310-1056	N/A	Jul-90	Set was 382-8008
310-1057	372-7003	Nov-97	Obsolete
310-1058	N/A	Nov-97	Obsolete
310-1059	N/A	Dec-84	Obsolete
310-1060	N/A	Nov-68	Obsolete
310-1061	N/A	Sept-98	Still available in 382-8005 set
310-1062	392-9035	Nov-97	Obsolete
310-1063	392-9036	Nov-97	Obsolete
310-1064	372-7049 or 392-9038	Nov-97	Obsolete
310-1068	N/A	Nov-97	Obsolete
310-1069	N/A	Dec-84	Obsolete
310-1070	N/A	Dec-84	Obsolete
310-1071	N/A	Jun-87	Obsolete

(Continued Next Page)

Engineering Changes

Various sets and components have been discontinued or replaced during STEMCO's many years of service to the industry. Wherever possible, suggested replacements are noted.

Discontinued	Replaced By	Date	Reason
310-1072	N/A	Dec-86	Obsolete
310-1073	N/A	Sep-84	Obsolete
310-1074	N/A	Dec-86	Obsolete
310-1075	N/A	Dec-84	Obsolete
310-1076	N/A	May-87	Obsolete
310-1080	N/A	Nov-97	Obsolete
310-1083	N/A	Oct-95	Set was 392-9043
310-1084	N/A	Nov-97	Obsolete
310-1085	N/A	Dec-84	Obsolete
310-1086	N/A	Dec-84	Obsolete
310-1087	N/A	Jan-76	Obsolete
310-1090	N/A	Dec-84	Obsolete
310-1091	315-1501	Jan-99	Grit Guard® Interchange
310-1092	N/A	May-90	Set was 382-8043
310-1093	See 382-8053, 382-8056	Sept-98	Obsolete
310-1094	N/A	Jan-76	Clearance For Anti-Skid
310-1095	N/A	Apr-12	Obsolete
310-1096	N/A	Mar-86	Obsolete
310-1100	N/A	Jun-89	Obsolete
310-1104	392-9063	Nov-97	Obsolete
310-1105	N/A	Dec-84	Obsolete
310-1109	N/A	Dec-84	Obsolete
310-1110	N/A	Jul-86	Obsolete
310-1111	315-1502, 315-1525 or 315-1530	Jan-99	Grit Guard® Interchange
310-1113	N/A	Oct-95	Set was 392-9020
310-1114	N/A	Oct-95	Set was 372-7056
310-1116	N/A	Sept-98	Obsolete
310-1115	N/A	Nov-97	Obsolete
310-1118	N/A	Oct-95	Set was 392-9079
310-1120	N/A	Feb-85	Obsolete
310-1121	N/A	Dec-86	Obsolete
310-1122	N/A	Oct-95	Set was 392-9102
310-1131	N/A	Nov-97	Obsolete
310-1233	392-9111	Nov-97	Obsolete
315-1509	392-9095	Nov-97	Obsolete
315-1513	N/A	Sept-98	Obsolete
315-1517	N/A	Sept-98	Still available in 392-9088 set
315-1519	N/A	Sept-98	Still available in 392-9130 set
315-1520	N/A	Jan-99	
315-1530	392-9132	Sept-98	Obsolete
320-2002	320-2129	Mar-75	Grit Guard® Interchange
320-2003	320-2109	Mar-92	Do not use with seal bore diameter greater than 5.758
320-2004	320-2173	Dec-76	Grit Guard® Interchange
320-2005	320-2113	Mar-75	Grit Guard® Interchange
320-2007	N/A	Nov-97	Obsolete
320-2008/310-1079	320-2115/315-1502	Mar-78	Current set 392-9097
320-2008/310-1028	N/A	Oct-95	Set was 392-9054
320-2010	N/A	Oct-95	Set was 392-9010
320-2011	N/A	Feb-85	Obsolete
320-2012	393-0112	Mar-08	Product Improvement
320-2013	320-2109	Sep-69	Product Improvement
320-2014	320-2117	Mar-75	Grit Guard® Interchange
320-2015	N/A	Dec-84	Obsolete
320-2016 (380-8021)	320-2039 (382-8023)	Apr-69	Set obsolete, seal available
320-2016 (390-9015)	320-2102 (392-9099)	Feb-71	Product Improvement
320-2016 (390-9016)	320-2029 (392-9018)	Sep-69	Obsolete 390-9016 set

(Continued Next Page)

Engineering Changes

Various sets and components have been discontinued or replaced during STEMCO's many years of service to the industry. Wherever possible, suggested replacements are noted.

Discontinued	Replaced By	Date	Reason
320-2017	382-8017	Nov-97	Obsolete
320-2019 (380-8019)	320-2050 (382-8009)	Apr-69	Product Improvement
320-2020	N/A	Oct-86	Obsolete
320-2021	N/A	Nov-97	Obsolete
320-2022	N/A	Nov-97	Obsolete
320-2024	320-2162	Mar-75	Grit Guard® Interchange
320-2025	320-2114	Mar-75	Grit Guard® Interchange
320-2026	320-2131	Mar-75	Grit Guard® Interchange
320-2027	N/A	Feb-82	Became 320-2098, now obsolete
320-2028	N/A	Mar-08	Still available in 382-8028 set
320-2029	N/A	Jan-99	Still available in 392-9018 set
320-2030	N/A	Feb-86	Obsolete
320-2032	N/A	Mar-08	Still available in 382-8032 set
320-2033	320-2137	Mar-75	Clear 121 Brakes
320-2034	N/A	Mar-08	Still available in 382-8034 set
320-2035	N/A	Oct-95	Set was 382-8035
320-2036	383-0136/383-0236	Sept-99	Product Improvement
320-2039	383-0139/383-8239	Sept-99	Product Improvement
320-2040	N/A	Sept-98	Obsolete
320-2042	N/A	Apr-90	Set was 382-8016
320-2043	320-2181	Nov-77	Product Improvement
320-2045	N/A	Dec-84	Obsolete
320-2046	372-7006	Jan-99	See 372-7006 set
320-2047	N/A	Jan-92	Set was 382-8013
320-2048	320-2110	Mar-75	Grit Guard® Interchange
320-2049	320-2102	Feb-71	Product Improvement
320-2050	382-8009	Nov-97	Obsolete
320-2051	N/A	Nov-97	Obsolete
320-2052	N/A	Oct-86	Obsolete
320-2053	N/A	Jul-90	Set was 382-8008
320-2054	N/A	Nov-97	Obsolete
320-2055 (380-8006, 380-8007)	320-2086 (382-8001)	Nov-68	Product Improvement
320-2056	382-8005	Jan-99	See 382-8005 set
320-2057	392-9035 or 392-9036	Sept-98	See 392-9035 or 392-9036 set
320-2058	392-9033	Nov-97	Obsolete
320-2060	320-2097	Feb-82	Product Improvement
320-2062	N/A	Oct-95	Set was 392-9037
320-2063	N/A	Dec-83	Obsolete
320-2064	N/A	Mar-72	Obsolete
320-2065	392-9114	Nov-97	Obsolete
320-2069	N/A	Dec-84	Obsolete
320-2070	N/A	Dec-84	Obsolete
320-2071	N/A	Oct-86	Obsolete
320-2072	392-9038	Nov-97	Obsolete
320-2073	N/A	Feb-86	Obsolete
320-2074	N/A	May-87	Obsolete
320-2076	Component (07320-2076)		Component of several seals
320-2084	N/A	Dec-84	Obsolete
320-2086	383-0101	Mar-01	Obsolete
320-2087	N/A	Feb-84	Obsolete
320-2088	429-2988	Jan-76	Product Improvement
320-2091	392-9045	Jan-99	See 392-9045 set
320-2092	N/A	Oct-95	Set was 372-7025, 392-9046
320-2093	N/A	Dec-84	Obsolete
320-2095	320-2213	Aug-90	Product Improvement
320-2096	392-9007	Nov-97	Obsolete

(Continued Next Page)

Engineering Changes

Various sets and components have been discontinued or replaced during STEMCO's many years of service to the industry. Wherever possible, suggested replacements are noted.

Discontinued	Replaced By	Date	Reason
320-2098	N/A	Feb-86	Obsolete
320-2100	320-2233	Jan-87	Product Improvement
320-2101	320-2032	Apr-69	Obsolete
320-2103	N/A	May-90	Set was 382-8043
320-2105	382-8044	Nov-97	Obsolete
320-2108	320-2023	Apr-70	Product Improvement
320-2116	N/A	Nov-97	Obsolete
320-2117	392-9095	Jan-99	See 392-9095 set
320-2119	382-8027	Nov-97	Obsolete
320-2120	N/A	May-86	Obsolete
320-2121	N/A	Feb-86	Obsolete
320-2122	N/A	Feb-86	Obsolete
320-2125	382-8062	Nov-97	Obsolete
320-2126	N/A	Feb-95	Obsolete
320-2127	N/A	May-86	Obsolete
320-2128	N/A	May-86	Obsolete
320-2132	320-2213	Feb-90	Product Improvement
320-2136	372-7049	Jan-03	Still available in 372-7049 set
320-2137	383-0164/383-0264	Sept-99	Product Improvement
320-2146	N/A	Oct-95	Set was 392-9120
320-2154	372-7050	Nov-97	Obsolete
320-2157	N/A	Jan-99	Obsolete
320-2158	N/A	Dec-84	Obsolete
320-2163	372-7093	Nov-97	Obsolete
320-2165	320-2184	May-78	See 320-2184
320-2169	N/A	Feb-84	Obsolete
320-2171	392-9075	Jan-99	See 392-9075 set
320-2178	N/A	Oct-95	Set was 392-9116
320-2180	N/A	Oct-95	Set was 392-9079
320-2184	320-2199	Dec-80	Product Improvement
320-2195	392-9082	Sept-98	Obsolete
320-2216	382-8071	Jan-99	Still available in set
320-2233	392-9111	Nov-97	Obsolete
327-2723	307-0723	Nov-98	Product Improvement
327-2743	307-0743	Nov-98	Product Improvement
328-2836	308-0836	Nov-98	Product Improvement
329-2973	309-0973	Nov-98	Product Improvement
330-3003	N/A	Aug-81	Obsolete 4003 Cap
330-3004	N/A	Aug-81	Obsolete 4004 Cap
330-3008	N/A	Jan-99	Obsolete
330-3014	N/A	Jan-99	Obsolete
330-3016	N/A	Apr-81	Obsolete 4016 Cap
330-3018	N/A	Jan-99	Obsolete
330-3021	N/A	Aug-81	Obsolete 4021 Cap
330-3023	N/A	Dec-84	Obsolete 4023 Cap
330-3026	N/A	Jan-99	Obsolete
330-3027	N/A	Aug-81	Obsolete 4055 Cap
330-3030	N/A	Aug-81	Obsolete 4030 Cap
330-3033	N/A	Aug-81	Obsolete 4033 Cap
330-3038	N/A	Aug-81	Obsolete 4038 Cap
330-3043	N/A	Aug-81	Obsolete 4043 Cap
330-3047	N/A	Jan-06	Obsolete
330-3048	N/A	Aug-81	Obsolete 4048 Cap
330-3050	N/A	Aug-81	Obsolete 4068 Cap
330-3055	330-3077	Aug-81	Obsolete 4055 Cap
330-3058	N/A	Aug-81	Obsolete 4078 Cap

(Continued Next Page)

Engineering Changes

Various sets and components have been discontinued or replaced during STEMCO's many years of service to the industry. Wherever possible, suggested replacements are noted.

Discontinued	Replaced By	Date	Reason
330-3068	N/A	Aug-81	Obsolete 4085 Cap
330-3070	N/A	Aug-81	Obsolete 370-7001 Set
330-3071	N/A	Jan-99	Obsolete
330-3076	N/A	Jan-99	Obsolete
330-3078	N/A	Aug-81	Obsolete 4097 Cap
330-3138	N/A	Jan-99	Obsolete
340-4006	340-4015	Feb-96	Replace with Blank Hubcap
340-4007	340-4070	Mar-81	Product Improvement
340-4008	340-4028	Nov-97	Obsolete
340-4012	N/A	May-95	Obsolete
340-4014	340-4015	Feb-96	Replace with Blank Hubcap
340-4016	N/A	Mar-81	Obsolete
340-4017	N/A	Feb-87	Obsolete
340-4020	N/A	Aug-84	Obsolete
340-4022	N/A	Mar-81	Obsolete
340-4023	N/A	Dec-84	Obsolete
340-4025	343-4025	Dec-84	Made With Pipe Plug Only
340-4026	N/A	Oct-94	Obsolete
340-4027	N/A	Sep-84	Obsolete
340-4029	340-4186	Mar-90	Duplicate hubcap
340-4030	N/A	Mar-81	Obsolete
340-4032	N/A	Sep-84	Obsolete
340-4033	N/A	Mar-81	Obsolete
340-4035	340-4092	Apr-69	Product Improvement
340-4037	N/A	Oct-95	Obsolete
340-4038	N/A	Mar-81	Obsolete
340-4039	340-4198	Nov-88	Product Improvement
340-4040	340-4065	Nov-88	Product Improvement
340-4041	340-4066	Apr-69	Product Improvement
340-4044	N/A	Nov-88	Obsolete
340-4048	340-4249	Apr-69	Product Improvement
340-4050	340-4042	Nov-88	Product Improvement
340-4051	N/A	Oct-95	Obsolete
340-4052	N/A	Mar-81	Obsolete
340-4053	N/A	Nov-88	Obsolete
340-4055	N/A	Mar-81	Obsolete
340-4058	N/A	Nov-88	Obsolete
340-4060	N/A	Sep-84	Obsolete
340-4061	N/A	Mar-81	Obsolete
340-4063	N/A	Feb-87	Obsolete
340-4064	343-4064	Oct-95	Available with pipe plug only
340-4067	N/A	Nov-88	Obsolete
340-4068	N/A	Mar-81	Obsolete
340-4070	340-4015	Feb-96	Replace with blank hub cap
340-4071	N/A	Mar-81	Obsolete
340-4072	N/A	Mar-81	Obsolete
340-4074	N/A	Mar-81	Obsolete
340-4076	340-4059	Mar-81	Product Improvement
340-4077	N/A	Mar-81	Obsolete
340-4078	N/A	Mar-81	Obsolete
340-4079	N/A	Mar-81	Obsolete
340-4081	N/A	Mar-81	Obsolete
340-4083	N/A	Sep-84	Obsolete
340-4085	N/A	Mar-81	Obsolete
340-4086	N/A	Sep-84	Obsolete
340-4087	N/A	Mar-81	Obsolete

(Continued Next Page)

Engineering Changes

Various sets and components have been discontinued or replaced during STEMCO's many years of service to the industry. Wherever possible, suggested replacements are noted.

Discontinued	Replaced By	Date	Reason
340-4089	N/A	Mar-81	Obsolete
340-4090	N/A	Mar-89	Obsolete
340-4091	340-4024	Feb-86	Obsolete
340-4093	340-4249	Jul-85	Obsolete
340-4094	340-4249	Jul-85	Obsolete
340-4096	340-4066	Nov-88	Product Improvement
340-4097	N/A	Mar-81	Obsolete
340-4099	343-4099	Feb-84	Made With Pipe Plug Only
340-4102	340-4012	Oct-95	Duplicate hubcap
340-4103	340-4098	Nov-88	Will be 1/2" taller, all other dimensions same
340-4110	N/A	Feb-84	Obsolete
340-4116	N/A	Mar-81	Obsolete
340-4117	N/A	Sep-86	Obsolete
340-4124	343-4124	Oct-86	Made With Pipe Plug Only
340-4135	343-4135	Mar-81	Made With Pipe Plug Only
340-4136	N/A	Nov-97	Obsolete
340-4138	N/A	Mar-81	Obsolete
340-4147	340-4249	Oct-87	Product Improvement
340-4148	340-4009	Sep-86	Obsolete
340-4150	343-4150	Jan-08	Obsolete
340-4154	N/A	Oct-95	Obsolete
340-4158	340-4157	Oct-95	Duplicate hubcap
340-4170	N/A	Oct-90	Obsolete
340-4177	N/A	Oct-90	Obsolete
340-4273	342-4009	Oct-95	Replace with Dirt Exclusion grease hubcap
340-4296	N/A	Jan-99	Obsolete
340-4305	N/A	Apr-12	Obsolete
340-4316	342-4075	Oct-95	Replace with Dirt Exclusion grease hubcap
340-4324	340-4095	Oct-95	Same hubcap with red plug instead of blue
340-4325	340-4034	Oct-95	Same hubcap with red plug instead of blue
340-4350	340-4370	Jan-06	Obsolete due to PSI system change
340-4351	340-4371	Jan-06	Obsolete due to PSI system change
340-4352	340-4372	Jan-06	Obsolete due to PSI system change
341-4009	34x-4075*	Jan-99	Obsolete
341-4013	N/A	Nov-97	Obsolete
341-4024	343-4024	Aug-95	Obsolete Ventless hubcap
341-4034	343-4034	Nov-97	Obsolete
341-4036	343-4036	Nov-97	Obsolete
341-4046	343-4046	Nov-97	Obsolete
341-4066	343-4066	Nov-97	Obsolete
341-4149	343-4149	Aug-95	Obsolete Ventless hubcap
341-4249	343-4249	Aug-95	Obsolete Ventless hubcap
341-4075	34x-4075*	Jan-99	Obsolete
341-4095	343-4095	Nov-97	Obsolete
341-4195	343-4195	Nov-97	Obsolete
341-4269	343-4269	Nov-97	Obsolete
341-4281	343-4281	Aug-95	Obsolete Ventless hubcap
341-4295	343-4295	Nov-97	Obsolete
341-4296	N/A	Sept-98	Obsolete
341-4302	347-4075	Aug-95	Obsolete Ventless hubcap
342-4019	340-4019	Nov-97	Obsolete
342-4034	340-4034	Nov-97	Obsolete
342-4036	340-4036	Nov-97	Obsolete
342-4066	340-4066	Nov-97	Obsolete
342-4149	340-4149	Nov-97	Obsolete
342-4339	354-4009	Nov-97	Obsolete

* Any Hub Cap Prefix (vented)

(Continued Next Page)

Engineering Changes

Various sets and components have been discontinued or replaced during STEMCO's many years of service to the industry. Wherever possible, suggested replacements are noted.

Discontinued	Replaced By	Date	Reason
342-4341	354-4075	Nov-97	Obsolete
342-4342	N/A	Jan-99	Obsolete
343-4003	N/A	Mar-81	Obsolete
343-4004	N/A	Mar-81	Obsolete
343-4005	N/A	Mar-81	Obsolete
343-4006	340-4015	Feb-96	Replace with blank hub cap, Not available with Pipe Plug
343-4007	340-4015	Mar-81	Replace with blank hub cap, Not available with Pipe Plug
343-4012	N/A	May-95	Obsolete
343-4014	340-4015	Jul-84	Replace with blank hub cap, Not available with Pipe Plug
343-4015	340-4015	Oct-95	Not Available with Pipe Plug
343-4017	340-4017	Feb-84	Cannot Be Made With Pipe Plug
343-4018	343-4028	Nov-97	Obsolete
343-4020	N/A	Oct-95	Obsolete
343-4021	N/A	Mar-81	Obsolete
343-4022	N/A	Mar-81	Obsolete
343-4023	N/A	Sep-88	Obsolete
343-4026	N/A	Sep-84	Obsolete
343-4027	N/A	Sep-88	Obsolete
343-4029	343-4186	Mar-90	Duplicate hubcap
343-4030	N/A	Mar-81	Obsolete
343-4031	340-4031	Oct-95	Obsolete
343-4032	N/A	Sep-84	Obsolete
343-4033	N/A	Mar-81	Obsolete
342-4034	340-4034	Nov-97	Obsolete
343-4039	N/A	Sep-88	Obsolete
343-4040	340-4040	Feb-84	Cannot Be Made With Pipe Plug
343-4041	343-4066	Mar-81	Product Improvement
343-4043	N/A	Mar-81	Obsolete
343-4044	N/A	Sep-88	Obsolete
343-4051	N/A	May-90	Obsolete
343-4053	N/A	Mar-81	Obsolete
343-4054	N/A	Sep-83	Obsolete
343-4055	N/A	Mar-81	Obsolete
343-4057	340-4054	Nov-97	Obsolete
343-4058	340-4058	Feb-84	Cannot Be Made With Pipe Plug
343-4060	N/A	Sep-84	Obsolete
343-4063	N/A	Feb-87	Obsolete
343-4067	N/A	Sep-88	Obsolete
343-4068	N/A	Mar-81	Obsolete
343-4070	340-4015	Feb-96	Replace with blank hub cap, Not available with Pipe Plug
343-4071	N/A	Mar-81	Obsolete
343-4074	N/A	Mar-81	Obsolete
343-4076	343-4059	Apr-81	Product Improvement
343-4078	N/A	Mar-81	Obsolete
343-4079	N/A	Mar-81	Obsolete
343-4081	N/A	Mar-81	Obsolete
343-4083	N/A	Sep-84	Obsolete
343-4084	N/A	Sep-84	Obsolete
343-4085	N/A	Mar-81	Obsolete
343-4086	N/A	Sep-84	Obsolete
343-4087	N/A	Mar-81	Obsolete
343-4088	N/A	Apr-86	Obsolete
343-4089	N/A	Mar-81	Obsolete
343-4090	N/A	Jul-84	Obsolete
343-4091	N/A	Jul-84	Obsolete
343-4093	343-4249	Jul-85	Obsolete

(Continued Next Page)

Engineering Changes

Various sets and components have been discontinued or replaced during STEMCO's many years of service to the industry. Wherever possible, suggested replacements are noted.

Discontinued	Replaced By	Date	Reason
343-4094	343-4249	Jul-85	Obsolete
343-4096	343-4066	Mar-89	Duplicate hubcap
343-4097	N/A	Mar-81	Obsolete
343-4099	343-4092	Nov-97	Obsolete
343-4101	343-4095 (5-1/2) or 343-4249 (5-9/16)	Nov-97	Obsolete
343-4102	343-4012	Dec-83	Duplicate hubcap
343-4103	343-4098	Nov-88	Will be 1/2" taller
343-4104	N/A	Aug-81	Obsolete
343-4106	343-4009	Mar-81	Duplicate hubcap
343-4110	N/A	Feb-84	Obsolete
343-4111	343-4028	Aug-81	Duplicate Cap
343-4112	343-4092	Mar-81	Duplicate Cap
343-4113	343-4249	May-85	Duplicate Cap
343-4114	343-4042	Aug-81	Duplicate Cap
343-4115	343-4186	Aug-81	Duplicate Cap
343-4116	N/A	Mar-81	Obsolete
343-4117	N/A	Sep-84	Obsolete
343-4118	N/A	Feb-84	Obsolete
343-4119	340-4119	Mar-81	Cannot Be Made With Pipe Plug
343-4120	N/A	Feb-84	Obsolete
343-4121	343-4066	Aug-81	Duplicate Cap
343-4123	343-4049	Aug-81	Duplicate Cap
343-4124	343-4024	Mar-90	Ford #, replace with aftermarket p/n
343-4125	343-4024	Aug-81	Duplicate Cap
343-4126	343-4046	Aug-81	Duplicate Cap
343-4128	343-4028	Nov-97	Obsolete
343-4129	343-4186	Mar-90	Ford #, replace with aftermarket p/n
343-4131	N/A	May-85	Obsolete
343-4135	N/A	Sep-84	Obsolete
343-4136	N/A	Feb-84	Obsolete
343-4138	N/A	Mar-81	Obsolete
343-4141	343-4024	Feb-88	Product Improvement
343-4142	N/A	Sep-83	Obsolete
343-4146	N/A	Feb-83	Obsolete
343-4148	343-4099	Aug-81	Duplicate Cap
343-4151	N/A	Nov-97	Obsolete
343-4154	N/A	Feb-84	Obsolete
343-4159	343-4025	Aug-81	Duplicate Cap
343-4164	343-4080	Aug-81	Duplicate Cap
343-4173	343-4092	Jul-88	Duplicate cap
343-4177	N/A	Oct-90	Obsolete
343-4182	343-4009	May-90	Utility #, replace with aftermarket p/n
343-4183	343-4092	Jul-87	Duplicate cap
343-4188	343-4009	Sep-86	Obsolete
343-4269	N/A	Jan-08	Obsolete
343-4270	343-4295	Oct-95	Obsolete
343-4282	343-4195	Oct-95	Same hubcap with standard pipe plug
343-4301	343-4046	Nov-97	Obsolete
343-4312	343-4092	Oct-95	Same hubcap with standard pipe plug
343-4317	343-4025	Oct-95	Same hubcap with standard pipe plug
343-4318	343-4024	Oct-95	Same hubcap with standard pipe plug
343-4319	343-4046	Oct-95	Same hubcap with standard pipe plug
343-4340	343-4263	Nov-97	Obsolete
343-4350	343-4370	Jan-06	Obsolete due to PSI system change
343-4351	343-4371	Jan-06	Obsolete due to PSI system change
343-4352	343-4372	Jan-06	Obsolete due to PSI system change

(Continued Next Page)

Engineering Changes

Various sets and components have been discontinued or replaced during STEMCO's many years of service to the industry. Wherever possible, suggested replacements are noted.

Discontinued	Replaced By	Date	Reason
344-4009	343-4009	Aug-95	Obsolete Dirt Exclusion Oil hubcap
344-4013	343-4013	Aug-95	Obsolete Dirt Exclusion Oil hubcap
344-4024	343-4024	Aug-95	Obsolete Dirt Exclusion Oil hubcap
344-4034	343-4034	Aug-95	Obsolete Dirt Exclusion Oil hubcap
344-4036	343-4036	Aug-95	Obsolete Dirt Exclusion Oil hubcap
344-4066	343-4066	Aug-95	Obsolete Dirt Exclusion Oil hubcap
344-4075	343-4075	Aug-95	Obsolete Dirt Exclusion Oil hubcap
344-4095	343-4095	Aug-95	Obsolete Dirt Exclusion Oil hubcap
344-4149	343-4149	Aug-95	Obsolete Dirt Exclusion Oil hubcap
344-4195	343-4195	Aug-95	Obsolete Dirt Exclusion Oil hubcap
344-4249	343-4249	Aug-95	Obsolete Dirt Exclusion Oil hubcap
344-4250	343-4250	Aug-95	Obsolete Dirt Exclusion Oil hubcap
344-4269	343-4269	Aug-95	Obsolete Dirt Exclusion Oil hubcap
344-4281	343-4281	Aug-95	Obsolete Dirt Exclusion Oil hubcap
345-4190	343-4095	Nov-97	Obsolete
345-4281	343-4281	Nov-97	Obsolete
345-4286	340-4046	Nov-97	Obsolete
345-4329	343-4095	Nov-97	Obsolete
346-Series	340-Series	Dec-93	Obsolete chrome hubcaps, use 340-Series
347-4019	N/A	Oct-95	Obsolete
347-4059	N/A	Oct-95	Obsolete
347-4122	N/A	Oct-95	Obsolete
355-5501	N/A	Oct-95	Obsolete
355-5502	N/A	Oct-95	Obsolete
355-5503	N/A	Oct-95	Obsolete
355-5505	N/A	Oct-95	Obsolete
355-5508	N/A	Oct-95	Obsolete
355-5510	N/A	Oct-95	Obsolete
355-5516	N/A	Oct-95	Obsolete
356-5606	N/A	Oct-95	Obsolete
357-5705	N/A	Oct-95	Obsolete
357-5708	N/A	Dec-84	Obsolete
357-5713	N/A	Oct-95	Obsolete
357-5715	N/A	Oct-95	Obsolete
357-5718	N/A	Oct-95	Obsolete
358-8001	N/A	Dec-84	Obsolete
358-8002	N/A	Oct-80	Obsolete
358-8011	N/A	Aug-81	Obsolete
358-8016	N/A	Aug-81	Obsolete
358-8017	N/A	Aug-81	Obsolete
359-5918	359-5912	May-96	Replace With Window Kit
359-5927	359-5912	May-79	Product Improvement
359-5928	359-5918	May-79	Product Improvement
359-5943	N/A	Feb-89	Obsolete
359-5955	N/A	Feb-84	Obsolete
359-5956	N/A	Feb-84	Obsolete
359-5959	359-5999	Jul-87	Product Improvement
359-5960	N/A	Aug-81	Obsolete
359-5961	N/A	Aug-81	Obsolete
359-5962	N/A	Sep-84	Obsolete
359-5967	359-5912	May-79	Product Improvement
359-5969	359-5918	May-79	Product Improvement
359-5983	359-5999	May-96	Replace With Window Kit
359-5984	N/A	Feb-85	Obsolete
359-5986	N/A	Feb-85	Obsolete
359-5989	N/A	Feb-85	Obsolete

(Continued Next Page)

Engineering Changes

Various sets and components have been discontinued or replaced during STEMCO's many years of service to the industry. Wherever possible, suggested replacements are noted.

Discontinued	Replaced By	Date	Reason
359-5994	359-5995	May-96	Replace With Window Kit
359-5993	359-6032	Nov-87	Product Improvement
359-5998	359-5983	Jan-87	Product Improvement
359-6062	N/A	Sept-98	Obsolete
359-6063	N/A	Sept-98	Obsolete
359-6086	359-6094	May-96	Replace With Window Kit
359-6087	359-6095	May-96	Replace With Window Kit
359-6088	359-6096	May-96	Replace With Window Kit
359-6091	359-5983	Aug-95	Obsolete
359-6092	359-5994	Aug-95	Obsolete
359-6093	359-5918	Aug-95	Obsolete
359-6097	359-5999	Aug-95	Obsolete
359-6098	359-5995	Aug-95	Obsolete
359-6099	359-5912	Aug-95	Obsolete
359-6107	359-6113	May-96	Replace With Window Kit
364-6403	364-6435	May-79	Product Improvement
364-6414	N/A	Oct-95	Obsolete
364-6416	N/A	Oct-95	Obsolete
364-6433	N/A	Oct-95	Obsolete
364-6437	N/A	Oct-95	Obsolete
364-6438	N/A	Oct-95	Obsolete
370-7002	N/A	Apr-84	Obsolete
370-7003	372-7003	Feb-90	Packaging Improvement
370-7004	372-7004 Obsolete	Feb-90	See comments under 372-7004
370-7005	372-7005 Obsolete	Feb-90	See comments under 372-7005
370-7006	372-7006	Feb-90	Packaging Improvement
370-7007	372-7097	Jan-76	Product Improvement/Grit Guard®
370-7008	372-7008 Obsolete	Feb-90	See comments under 372-7008
370-7009	372-7009 Obsolete	Feb-90	See comments under 372-7009
370-7011	N/A	Jan-85	Obsolete
370-7012	372-7095	Jan-76	Product Improvement/Grit Guard®
370-7013	372-7098	Feb-90	Product Improvement/Grit Guard®
370-7014	372-7098	Jan-76	Consolidate/Grit Guard®
370-7015	372-7015	Feb-90	Packaging Improvement
370-7016	N/A	Apr-84	Obsolete
370-7017	372-7017 Obsolete	Feb-90	See comments under 372-7017
370-7018	372-7018 Obsolete	Feb-90	See comments under 372-7018
370-7019	N/A	Apr-84	Obsolete
370-7020	372-7020 Obsolete	Feb-90	See comments under 372-7020
370-7022	372-7022	Feb-90	Packaging Improvement
370-7024	372-7024	Feb-90	Packaging Improvement
370-7025	372-7025 Obsolete	Feb-90	Obsolete
370-7026	372-7026 Obsolete	Feb-90	See comments under 372-7026
370-7027	372-7027 Obsolete	Feb-90	See comments under 372-7027
370-7028	372-7028 Obsolete	Feb-90	See comments under 372-7028
370-7030	N/A	Aug-81	Obsolete
370-7031	372-7098	Jan-76	Covers 1955 Axle/Grit Guard®
370-7032	N/A	Jan-80	Obsolete
370-7036	N/A	Jan-80	Obsolete
370-7043	372-7097	Feb-90	Product Improvement/Grit Guard®
370-7044	372-7095	Nov-89	Product Improvement/Grit Guard®
370-7045	310-1007 & 320-2007 available	Mar-86	Obsolete Seal Set
370-7046	372-7046	Feb-90	Packaging Improvement
370-7048	372-7048 Obsolete	Feb-90	See comments under 372-7048
370-7049	372-7049	Feb-90	Packaging Improvement
370-7052	N/A	Jan-80	Obsolete

(Continued Next Page)

Engineering Changes

Various sets and components have been discontinued or replaced during STEMCO's many years of service to the industry. Wherever possible, suggested replacements are noted.

Discontinued	Replaced By	Date	Reason
370-7053	N/A	Jan-80	Obsolete
370-7055	372-7055 Obsolete	Feb-90	See Comments under 372-7055
370-7056	372-7056 Obsolete	Feb-90	See Comments under 372-7056
370-7061	320-2137 & 310-1026	Apr-84	Seal & ring available, bushing 364-6433 obsolete
370-7062	372-7062	Feb-90	Packaging Improvement
370-7091	372-7091	Feb-90	Packaging Improvement
370-7095	372-7095	Feb-90	Packaging Improvement
370-7096	372-7096	Feb-90	Packaging Improvement
370-7097	372-7097	Feb-90	Packaging Improvement
370-7098	372-7098	Feb-90	Packaging Improvement
370-7099	372-7099	Feb-90	Packaging Improvement
371-0013	307-0713	Jan-99	Obsolete
371-0023	307-0723	Jan-99	Obsolete
371-0043	307-0743	Jan-99	Obsolete
371-0201	371-0023 & 343-4075	Mar-94	Obsolete
371-0202	371-0023 & 343-4195	Mar-94	Obsolete
371-0203	371-0043 & 343-4009	Mar-94	Obsolete
371-0204	371-0043 & 343-4013	Mar-94	Obsolete
371-0205	371-0013 & 343-4009	Mar-94	Obsolete
371-0206	371-0023 & 347-4075	Mar-94	Obsolete
372-7004	320-2041 still available	Oct-95	Ring was 310-1054
372-7005	N/A	Oct-95	Obsolete
372-7008	N/A	Oct-95	Obsolete
372-7009	N/A	Oct-95	Ring was 310-1036
372-7012	320-2040 & 310-1037	Oct-95	Components available
372-7013	372-7098	Jan-99	Obsolete
372-7017	320-2041 still available	Oct-95	Ring was 310-1044
372-7018	320-2029 & 310-1018	Oct-95	Components available
372-7020	320-2023 still available	Oct-95	Ring was 310-1003
372-7023	372-7099	Feb-90	Product Improvement/Grit Guard®
372-7024	320-2173 still available		Ring was 310-1023
372-7025	N/A	Oct-95	Obsolete
372-7026	320-2173 still available	Oct-95	Ring was 310-1005
372-7027	320-2173 still available	Oct-95	Ring was 310-1006
372-7028	320-2173 still available	Oct-95	Ring was 310-1080
372-7043	372-7097	Jan-99	Obsolete
372-7044	N/A	Jan-99	Obsolete
372-7045	310-1007 & 320-2007 available	Mar-86	Components available
372-7048	320-2072 & 310-1064	Oct-95	Components available
372-7051	320-2157 & 310-1067	Oct-95	Components available
372-7053	320-2163 & 310-1026	Oct-95	Components available
372-7055	320-2031 still available	Oct-95	Ring was 310-1010
372-7056	320-2031 still available	Oct-95	Ring was 310-1114
372-7100	N/A	Nov-97	Obsolete
377-7713	307-0713	Jul-89	Packaging Improvement
377-7723	307-0723	Jul-89	Packaging Improvement
377-7743	307-0743	Jul-89	Packaging Improvement
377-7744	307-0744	Jul-89	Packaging Improvement
380-8001	382-8001	Feb-90	Packaging Improvement
380-8002	N/A	Dec-86	Obsolete
380-8004	N/A	Apr-84	Obsolete
380-8005	382-8005	Feb-90	Packaging Improvement
380-8006	382-8001	Nov-68	Product Improvement
380-8007	382-8001	Nov-68	Product Improvement
380-8008	382-8008 Obsolete	Feb-90	Obsolete
380-8009	382-8009	Feb-90	Packaging Improvement

(Continued Next Page)

Engineering Changes

Various sets and components have been discontinued or replaced during STEMCO's many years of service to the industry. Wherever possible, suggested replacements are noted.

Discontinued	Replaced By	Date	Reason
380-8010	382-8010	Feb-90	Packaging Improvement
380-8011	382-8011	Feb-90	Packaging Improvement
380-8012	N/A	Oct-86	Obsolete
380-8013	N/A	Apr-84	Obsolete
380-8014	382-8052	Jan-78	Product Improvement
380-8015	382-8053	Mar-70	Axle Ring Change
380-8016	382-8016 Obsolete	Feb-90	Obsolete
380-8017	382-8017	Feb-90	Packaging Improvement
380-8018	382-8018 Obsolete	Feb-90	See comments under 382-8018
380-8019	382-8009	Apr-69	Product Improvement
380-8020	N/A	Oct-86	Obsolete
380-8021	382-8023 Obsolete	Oct-69	See comments under 382-8023
380-8023	382-8023 Obsolete	Feb-90	See comments under 382-8023
380-8025	382-8025 Obsolete	Feb-90	See comments under 382-8025
380-8026	N/A	Apr-84	Obsolete
380-8027	382-8027	Feb-90	Packaging Improvement
380-8028	382-8028	Feb-90	Packaging Improvement
380-8029	382-8029 Obsolete	Feb-90	See comments under 382-8029
380-8030	N/A	Feb-86	Obsolete
380-8032	382-8032	Feb-90	Packaging Improvement
380-8033	N/A	Apr-84	Obsolete
380-8034	382-8034	Feb-90	Packaging Improvement
380-8035	382-8035 Obsolete	Feb-90	Obsolete
380-8036	382-8036	Feb-90	Packaging Improvement
380-8037	382-8064	Jan-76	Clear 121 Brakes
380-8039	382-8039	Feb-90	Packaging Improvement
380-8040	N/A	Apr-84	Obsolete
380-8041	N/A	Apr-84	Obsolete
380-8042	382-8042	Feb-90	Packaging Improvement
380-8043	382-8043 Obsolete	Feb-90	Obsolete
380-8044	382-8044	Feb-90	Packaging Improvement
380-8045	382-8045	Feb-90	Packaging Improvement
380-8046	382-8053	Jan-78	Product Improvement
380-8047	382-8047 Obsolete	Apr-84	See comments under 382-8047
380-8050	N/A	Apr-84	Obsolete
380-8051	N/A	Apr-84	Obsolete
380-8052	382-8052	Feb-90	Packaging Improvement
380-8053	382-8053	Feb-90	Packaging Improvement
380-8054	382-8056	Dec-80	Product Improvement
380-8055	N/A	Dec-86	Obsolete
380-8056	382-8056	Feb-90	Packaging Improvement
380-8060	382-8060	Feb-90	Packaging Improvement
380-8061	382-8062	Apr-72	Product Improvement
380-8062	382-8062	Feb-90	Packaging Improvement
380-8063	382-8063	Feb-90	Packaging Improvement
380-8064	382-8064	Feb-90	Packaging Improvement
380-8066	382-8066	Feb-90	Packaging Improvement
380-8067	382-8056	May-78	Hub Bore Change
380-8068	N/A	Apr-84	Obsolete
380-8069	382-8069 Obsolete	Feb-90	See comments under 382-8069
380-8071	382-8071	Feb-90	Packaging Improvement
381-0014	N/A	Nov-97	Obsolete
381-0028	382-8028	Aug-95	Obsolete
381-0034	382-8034	Aug-95	Obsolete
381-0036	308-0836	Jan-99	Obsolete
381-0056	382-8056	Aug-95	Obsolete

(Continued Next Page)

Engineering Changes

Various sets and components have been discontinued or replaced during STEMCO's many years of service to the industry. Wherever possible, suggested replacements are noted.

Discontinued	Replaced By	Date	Reason
381-0064	382-8064	Aug-95	Obsolete
381-0107	N/A	Nov-97	Obsolete
381-0301	381-0036 & 343-4034	Mar-94	Obsolete
381-0302	381-0036 & 343-4013	Mar-94	Obsolete
381-0303	382-8056 & 343-4281	Mar-94	Obsolete
381-0304	382-8064 & 343-4149	Mar-94	Obsolete
381-0305	382-8064 & 343-4281	Mar-94	Obsolete
381-0306	381-0036 & 343-4149	Mar-94	Obsolete
381-0307	381-0036 & 343-4024	Mar-94	Obsolete
381-0309	382-8028 & 343-4036	Mar-94	Obsolete
381-0310	382-8028 & 343-4281	Mar-94	Obsolete
381-0311	382-8034 & 343-4066	Mar-94	Obsolete
381-0312	381-0148 & 343-4269	Mar-94	Obsolete
381-0313	381-0150 & 343-4295	Mar-94	Obsolete
382-8001	383-0101	Mar-01	Obsolete - Replace w/Voyager®
382-8008	N/A	Jul-90	Obsolete
382-8016	N/A	Apr-90	Obsolete
382-8018	320-2018 & 310-1008	Oct-95	Components available
382-8023	320-2039 still available	Oct-95	Ring was 310-1011
382-8025	320-2031 & 310-1036	Oct-95	Components available
382-8029	320-2029 still available	Oct-95	Ring was 310-1029
382-8035	N/A	Oct-95	Obsolete
382-8039	383-8139/383-8239	Sept-99	Product Improvement Voyager®/Discover®
382-8043	N/A	May-90	Obsolete
382-8047	320-2116 & 310-1096	Oct-95	Components available
382-8053	308-0853 & 383-0153	Aug-02	Obsolete
382-8056	308-0856 & 383-0156	May-00	Obsolete
382-8069	N/A	Oct-95	Obsolete
382-8071	383-0171	Jan-03	Obsolete
382-8073	320-2063 & 310-1013	Oct-95	Components available
385-0836	308-0836	Oct-95	Aftermarket replacement
385-8027	382-8027	Oct-95	Aftermarket replacement
385-8029	320-2029 still available	Oct-95	Ring was 310-1029
385-8045	382-8045	Oct-95	Aftermarket replacement
387-8736	308-0836	Jul-89	Packaging Improvement
387-8753	308-0853	Jul-89	Packaging Improvement
387-8755	308-0855	Jul-89	Packaging Improvement
387-8756	308-0856	Jul-89	Packaging Improvement
387-8763	308-0863	Jul-89	Packaging Improvement
387-8764	308-0864	Jul-89	Packaging Improvement
387-8766	308-0866	Jul-89	Packaging Improvement
390-9001	392-9001	Feb-90	Packaging Improvement
390-9002	392-9094	Jan-76	Product Improvement/Grit Guard®
390-9003	392-9094	Feb-90	Product Improvement/Grit Guard®
390-9004	392-9112	Feb-90	Product Improvement/Grit Guard®
390-9005	392-9088	Jan-76	Product Improvement/Grit Guard®
390-9006	392-9092	Jul-89	Product Improvement/Grit Guard®
390-9007	392-9007	Feb-90	Packaging Improvement
390-9008	N/A	Jan-80	Obsolete
390-9010	392-9010 Obsolete	Feb-90	See comments under 392-9010
390-9012	392-9012	Feb-90	Packaging Improvement
390-9014	392-9095	Jan-76	Product Improvement/Grit Guard®
390-9015	392-9099	Jan-76	Product Improvement/Grit Guard®
390-9016	392-9018	Aug-69	Product Improvement
390-9018	392-9018	Feb-90	Packaging Improvement
390-9019	392-9019 Obsolete	Feb-90	See comments under 392-9019

(Continued Next Page)

Engineering Changes

Various sets and components have been discontinued or replaced during STEMCO's many years of service to the industry. Wherever possible, suggested replacements are noted.

Discontinued	Replaced By	Date	Reason
390-9020	392-9020 Obsolete	Feb-90	See comments under 392-9020
390-9021	392-9021 Obsolete	Feb-90	See comments under 392-9021
390-9022	392-9097	Jan-76	Product Improvement/Grit Guard®
390-9023	392-9001	Jan-76	Product Improvement
390-9024	392-9087	Jan-76	Product Improvement/Grit Guard®
390-9025	392-9096	Jan-76	Product Improvement/Grit Guard®
390-9026	392-9092	Jan-76	Product Improvement/Grit Guard®
390-9027	392-9087	Jan-76	Product Improvement/Grit Guard®
390-9028	392-9112	Feb-90	Eliminate Locator Ring/Grit Guard®
390-9029	392-9098	Sep-70	Product Improvement/Grit Guard®
390-9030	392-9098	Jan-76	Product Improvement/Grit Guard®
390-9031	392-9099	Jan-76	Product Improvement/Grit Guard®
390-9032	392-9032	Feb-90	Packaging Improvement
390-9033	392-9033 Obsolete	Feb-90	See comments under 392-9033
390-9034	392-9034	Feb-90	Packaging Improvement
390-9035	392-9035	Feb-90	Packaging Improvement
390-9036	392-9036	Feb-90	Packaging Improvement
390-9037	392-9037 Obsolete	Feb-90	Obsolete
390-9038	392-9038	Feb-90	Packaging Improvement
390-9039	N/A	Feb-86	Obsolete
390-9040	N/A	Apr-84	Obsolete
390-9041	N/A	May-87	Obsolete
390-9042	392-9020 Obsolete	Jan-76	See comments under 392-9020
390-9043	392-9043 Obsolete	Feb-90	See comments under 392-9043
390-9044	392-9098	Jan-76	Product Improvement/Grit Guard®
390-9045	392-9045	Feb-90	Packaging Improvement
390-9046	392-9046 Obsolete	Feb-90	See comments under 392-9046
390-9047	392-9112	Feb-90	Product Improvement/Grit Guard®
390-9048	392-9089	Feb-90	Product Improvement
390-9049	N/A	Mar-86	Obsolete
390-9050	392-9048 Obsolete	Feb-82	See comments under 392-9048
390-9051	N/A	Feb-82	Obsolete
390-9052	392-9096	Jan-76	Product Improvement/Grit Guard®
390-9053	392-9053	Feb-90	Packaging Improvement
390-9054	392-9054 Obsolete	Feb-90	See comments under 392-9054
390-9055	N/A	Apr-84	Obsolete
390-9056	392-9099	Feb-90	Packaging Improvement/Grit Guard®
390-9057	392-9057	Feb-90	Packaging Improvement
390-9058	N/A	Aug-81	Obsolete
390-9059	392-9131	Jan-76	Product Improvement/Grit Guard®
390-9060	392-9132	Nov-89	Product Improvement/Grit Guard®
390-9061	392-9095	Jul-89	Product Improvement/Grit Guard®
390-9062	392-9062	Feb-90	Packaging Improvement
390-9063	392-9063	Feb-90	Packaging Improvement
390-9064	392-9088	Nov-89	Product Improvement/Grit Guard®
390-9065	392-9096	Jul-89	Product Improvement/Grit Guard®
390-9067	N/A	Apr-84	Obsolete
390-9070	392-9087	Jul-89	Product Improvement/Grit Guard®
390-9072	392-9087	Jan-76	Product Improvement/Grit Guard®
390-9073	392-9098	Feb-90	Product Improvement/Grit Guard®
390-9079	392-9079 Obsolete	Feb-90	Obsolete
390-9081	392-9081	Feb-90	Packaging Improvement
390-9082	N/A	Feb-84	Obsolete
390-9083	N/A	Apr-84	Obsolete
390-9087	392-9087	Feb-90	Packaging Improvement
390-9088	392-9088	Feb-90	Packaging Improvement

(Continued Next Page)

Engineering Changes

Various sets and components have been discontinued or replaced during STEMCO's many years of service to the industry. Wherever possible, suggested replacements are noted.

Discontinued	Replaced By	Date	Reason
390-9089	392-9089	Feb-90	Packaging Improvement
390-9090	392-9112	Feb-90	Packaging Improvement
390-9092	392-9092	Feb-90	Packaging Improvement
390-9094	392-9094	Feb-90	Packaging Improvement
390-9095	392-9095	Feb-90	Packaging Improvement
390-9096	392-9096	Feb-90	Packaging Improvement
390-9097	392-9132	Feb-90	Packaging Improvement
390-9098	392-9131	Feb-90	Packaging Improvement
390-9099	392-9099	Feb-90	Packaging Improvement
390-9109	392-9111	Jun-87	Product Improvement
390-9111	392-9111	Feb-90	Packaging Improvement
391-0003	309-0903	Aug-95	Obsolete Replace with Guardian®
391-0004	309-0904	Aug-95	Obsolete Replace with Guardian®
391-0008	N/A	Aug-95	Obsolete
391-0012	309-0912	Aug-95	Obsolete Replace with Guardian®
391-0023	N/A	Aug-95	Obsolete
391-0060	309-0960	Aug-95	Obsolete Replace with Guardian®
391-0064	309-0964	Aug-95	Obsolete Replace with Guardian®
391-0070	309-0970	Aug-95	Obsolete Replace with Guardian®
391-0073	309-0973	Jan-99	Obsolete
391-0113	N/A	Nov-97	Obsolete
391-0116	N/A	Aug-95	Obsolete
391-0132	N/A	Nov-97	Obsolete
391-0155	N/A	Nov-97	Obsolete
392-9003	392-9094	Jan-99	Obsolete
392-9006	320-2131 & 310-1026	Oct-95	Components available
392-9010	N/A	Oct-95	Seal was 320-2010
392-9019	N/A	Oct-95	Obsolete
392-9020	320-2115 still available	Oct-95	Ring was 310-1113
392-9021	320-2021 still available	Oct-95	Ring was 310-1021
392-9033	310-1093 still available	Oct-95	Seal was 320-2058
392-9034	393-0134	Jan-03	Obsolete
392-9037	N/A	Oct-95	Obsolete, seal was 320-2062
392-9043	N/A	Oct-95	Ring was 310-1083
392-9046	N/A	Oct-95	Obsolete, seal was 320-2092, ring was 310-1021
392-9048	320-2097 & 310-1067	Oct-95	Components available
392-9054	N/A	Oct-95	Seal was 320-2008
392-9056	392-9099	Jan-99	Obsolete
392-9060	392-9132	Jan-99	Obsolete
392-9061	320-2117 still available	Oct-95	Ring was 310-1014
392-9064	392-9088	Jan-99	Obsolete
392-9065	392-9096	Jan-99	Obsolete
392-9076	320-2106 & 310-1116	Oct-95	Components available
392-9079	N/A	Oct-95	Obsolete, seal was 320-2180, ring was 310-1118
392-9070	392-9087	Jan-99	Obsolete
392-9073	392-9131	Jan-99	Obsolete
392-9090	392-9112	Feb-90	Product Improvement
392-9097	392-9132	Jan-97	Product Improvement
392-9098	392-9131	Jan-97	Product Improvement
392-9102	320-2039 still available	Oct-95	Ring was 310-1122
392-9116	310-1067 still available	Oct-95	Seal was 320-2178
392-9117	320-2137 & 315-1508	Oct-95	Components available
392-9118	N/A	Oct-95	Obsolete
392-9119	320-2036 still available	Oct-95	Ring was 310-1114
392-9120	310-1107 still available	Oct-95	Seal was 320-2146
392-9122	320-2059 & 310-1067	Oct-95	Components available

(Continued Next Page)

Engineering Changes

Various sets and components have been discontinued or replaced during STEMCO's many years of service to the industry. Wherever possible, suggested replacements are noted.

Discontinued	Replaced By	Date	Reason
392-9123	320-2007 & 310-1007	Oct-95	Components available
392-9124	320-2021 & 310-1079	Oct-95	Components available
395-9001	392-9001	Oct-95	Aftermarket replacement
395-9038	392-9038	Oct-95	Aftermarket replacement
395-9088	392-9088	Oct-95	Aftermarket replacement
395-9096	392-9096	Oct-95	Aftermarket replacement
395-9098	392-9131	Oct-95	Aftermarket replacement
397-9703	309-0903	Jul-89	Packaging Improvement
397-9704	309-0904	Jul-89	Packaging Improvement
397-9712	309-0912	Jul-89	Packaging Improvement
397-9715	309-0915	Jul-89	Packaging Improvement
397-9735	309-0935	Jul-89	Packaging Improvement
397-9748	309-0948	Jul-89	Packaging Improvement
397-9757	309-0957	Jul-89	Packaging Improvement
397-9760	309-0960	Jul-89	Packaging Improvement
397-9761	309-0961	Jul-89	Packaging Improvement
397-9764	309-0964	Jul-89	Packaging Improvement
397-9765	309-0965	Jul-89	Packaging Improvement
397-9770	309-0970	Jul-89	Packaging Improvement
397-9773	309-0973	Jul-89	Packaging Improvement
419-1901	460-6012	Oct-95	Set still available
419-1939	460-6007	Oct-95	Set still available
419-1940	460-6006	Oct-95	Set still available
419-1941	460-6011	Oct-95	Set still available
419-1946	460-6001/6002/6009	Oct-95	Set still available
419-1981	460-6003	Oct-95	Set still available
419-1982	460-6004/6005	Oct-95	Set still available
419-1983	460-6083	Oct-95	Set still available
419-1984	460-6084	Oct-95	Set still available
429-0013	307-0713	Apr-12	
429-2901	460-6012	Oct-95	Set still available
429-2937	460-6006/6007/6084	Oct-95	Set still available
429-2938	460-6006/6007/6084	Oct-95	Set still available
429-2941	460-6011/6083	Oct-95	Set still available
429-2944	460-6001	Oct-95	Set still available
429-2945	460-6001	Oct-95	Set still available
429-2977	460-6003	Oct-95	Set still available
429-2978	460-6003	Oct-95	Set still available
429-2979	460-6004	Oct-95	Set still available
429-2980	460-6004	Oct-95	Set still available
429-2982	460-6005	Oct-95	Set still available
429-2983	460-6002	Oct-95	Set still available
429-2988	N/A		
460-6005	N/A	Apr-12	Obsolete
460-6008	N/A	Feb-94	Obsolete
460-6009	N/A	May-90	Obsolete
460-6013	N/A	Apr-91	Obsolete
550-5002	555-5002	Feb-90	Product Improvement
550-5004	555-5004	Feb-90	Product Improvement
550-5007	555-5007	Feb-90	Product Improvement
550-5011	555-5011	Feb-90	Product Improvement
550-5013	N/A	Apr-69	Obsolete
550-5014	555-5014	Feb-90	Product Improvement
550-5017	N/A	Aug-81	Obsolete 308-8011 Dust Shield
550-5018	N/A	Aug-81	Obsolete 308-9058 Set
550-5019	N/A	Aug-81	Obsolete 308-8016 Dust Shield

(Continued Next Page)

Engineering Changes

Various sets and components have been discontinued or replaced during STEMCO's many years of service to the industry. Wherever possible, suggested replacements are noted.

Discontinued	Replaced By	Date	Reason
550-5020	N/A	Aug-81	Obsolete 308-8017 Dust Shield
550-5023	555-5023	Feb-90	Product Improvement
550-5027	N/A	Feb-84	Obsolete
550-5031	555-5031	Feb-90	Product Improvement
550-5039	555-5039	Feb-90	Product Improvement
550-5051	555-5004	Apr-69	Duplicate Tool
550-5053	N/A	Feb-84	Obsolete
550-5060	555-5060	Feb-90	Product Improvement
550-5061	555-5061	Feb-90	Product Improvement
550-5062	555-5062	Feb-90	Product Improvement
550-5064	555-5064	Feb-90	Product Improvement
550-5065	550-5008	Apr-69	Duplicate Tool
550-5066	555-5066	Feb-90	Product Improvement
550-5068	555-5069	Apr-69	Duplicate Tool
550-5069	555-5069	Feb-90	Product Improvement
550-5070	555-5070	Feb-90	Product Improvement
550-5071	555-5071	Feb-90	Product Improvement
550-5072	555-5072	Feb-90	Product Improvement
550-5074	555-5074	Feb-90	Product Improvement
550-5075	555-5072	Apr-69	Duplicate Tool
550-5076	555-5076	Feb-90	Product Improvement
550-5080	N/A	Feb-84	Obsolete
550-5086	N/A	Feb-84	Obsolete
550-5087	N/A	Feb-84	Obsolete
550-5088	555-5088	Feb-90	Product Improvement
550-5089	555-5089	Feb-90	Product Improvement
550-5090	N/A	Feb-84	Obsolete
550-5092	N/A	Feb-84	Obsolete
550-5098	555-5098	Feb-90	Product Improvement
550-5099	555-5011	Feb-84	Obsolete
550-5100	555-5100	Feb-90	Product Improvement
551-5304	N/A	Oct-95	Obsolete
551-5305	N/A	Dec-83	Obsolete
551-5322	551-5412	Dec-97	Product Improvement
551-5326	N/A	Mar-08	Obsolete
551-5329	N/A	Oct-95	Obsolete
551-5338	N/A	Oct-95	Obsolete
551-5348	N/A	Oct-95	Obsolete
551-5358	N/A	Oct-95	Obsolete
551-5379	N/A	Oct-95	Obsolete
551-5380	N/A	Oct-95	Obsolete
551-5382	N/A	Oct-95	Obsolete
551-5397	551-5405	Jul-86	Product Improvement
551-5399	551-5322	Jul-85	Obsolete
552-5201	See Catalog	Mar-08	Use appropriate 555 series tool
552-5202	N/A	Aug-81	Obsolete 370-7030 Set
552-5203	See catalog	Oct-95	Use appropriate 555 series tool
552-5204	552-5227	Jan-93	Design Improvement
552-5205	See catalog	Oct-95	Use appropriate 555 series tool
552-5208	552-5230	Jan-93	Design Improvement
552-5209	See catalog	Oct-95	Use appropriate 555 series tool
552-5217	552-5221	Jan-93	Design Improvement
552-5218	See catalog	Oct-95	Use appropriate 555 series tool
552-5219	See catalog	Oct-95	Use appropriate 555 series tool
552-5220	See Catalog	Mar-08	Use appropriate 555 series tool
552-5226	See Catalog	Mar-08	Use appropriate 555 series tool

(Continued Next Page)

Engineering Changes

Various sets and components have been discontinued or replaced during STEMCO's many years of service to the industry. Wherever possible, suggested replacements are noted.

Discontinued	Replaced By	Date	Reason
552-5227	See catalog	Oct-95	Use appropriate 555 series tool
552-5229	552-5239	Jan-93	Design Improvement
552-5230	See Catalog	Mar-08	Use appropriate 555 series tool
552-5240	552-5203	Jan-93	Design Improvement
552-5233	See Catalog	Mar-08	Use appropriate 555 series tool
552-5241	552-5289	Jan-93	Design Improvement
552-5245	See catalog	Oct-95	Use appropriate 555 series tool
552-5251	N/A	Mar-81	Obsolete
552-5254	See catalog	Oct-95	Use appropriate 555 series tool
552-5255	N/A	Feb-84	Obsolete
552-5257	See catalog	Oct-95	Use appropriate 555 series tool
552-5261	N/A	Aug-81	Obsolete
552-5265	N/A	Aug-81	Obsolete
552-5266	N/A	Feb-84	Obsolete
552-5272	See catalog	Oct-95	Use appropriate 555 series tool
552-5275	552-5288	Jun-78	Product Compatibility
552-5283	See catalog	Oct-95	Use appropriate 555 series tool
552-5284	See catalog	Oct-95	Use appropriate 555 series tool
552-5289	See catalog	Oct-95	Use appropriate 555 series tool
552-5290	See catalog	Oct-95	Use appropriate 555 series tool
552-5291	N/A	Aug-00	Obsolete
552-5292	N/A	Aug-00	Obsolete
552-5293	N/A	Aug-00	Obsolete
552-5294	N/A	Aug-00	Obsolete
552-5297	See catalog	Oct-95	Use appropriate 555 series tool
553-5300's All except as follows	551-5300's All	Feb-82	Material Change
553-5306	551-5353	Mar-80	Product Improvement
553-5313	551-5401	Dec-84	Product Improvement
553-5316	551-5400	Feb-82	Product Improvement
553-5330	N/A	Mar-81	Obsolete
553-5348 (320-2048)	551-5322 (320-2110)	Mar-76	Obsolete Seal
553-5350	551-5347	Apr-69	Obsolete
553-5354	551-5316	Apr-69	Product Improvement
553-5358 (320-2033)	551-5327 (320-2137)	Jan-76	Obsolete Seal
553-5358 (320-2040)	551-5321 (320-2118)	Oct-83	Obsolete Seal
553-5360	N/A	Aug-81	Obsolete
553-5389 (320-2014)	551-5325 (320-2117)	Mar-71	Obsolete Seal
553-5392 (320-2024)	551-5333 (320-2162)	Jan-76	Obsolete Seal
555-5038	N/A	Oct-95	Obsolete
555-5081	N/A	Mar-08	Obsolete
555-5085	N/A	Oct-95	Obsolete
555-5091	N/A	Oct-95	Obsolete
555-5104	N/A	Oct-95	Obsolete
555-5206	N/A	Oct-95	Obsolete
555-5206	N/A	Oct-95	Obsolete
558-5800's series	551-series	Jul-84	Obsolete
558-5959	N/A	Oct-95	Obsolete
558-5960	N/A	Oct-95	Obsolete
558-5961	N/A	Oct-95	Obsolete
558-5962	N/A	Oct-95	Obsolete
570-0030	N/A	Oct-95	Obsolete
610-0043	N/A	Nov-97	Obsolete
610-0044	N/A	Nov-97	Obsolete
610-0082	N/A	Nov-97	Obsolete
610-0085	610-0028	Nov-97	Obsolete
640-0009	N/A	Nov-97	Obsolete

Engineering Changes

Various sets and components have been discontinued or replaced during STEMCO's many years of service to the industry. Wherever possible, suggested replacements are noted.

Discontinued	Replaced By	Date	Reason
641-0017	330-3013	Nov-97	Obsolete
641-0018	330-3015	Nov-97	Obsolete
641-0025	330-3056	Nov-97	Obsolete
641-0026	N/A	Nov-97	Obsolete
641-0027	N/A	Nov-97	Obsolete
900-0204	N/A	Nov-97	Obsolete
900-0210	N/A	Nov-97	Obsolete
900-0256	N/A	Nov-97	Obsolete
900-0257	N/A	Nov-97	Obsolete
900-0272	N/A	Nov-97	Obsolete
900-0311	900-0363	May-03	Obsolete
900-0362	N/A	Nov-97	Obsolete
900-1085	N/A	Nov-97	Obsolete

Seal Sets
Seal Section

Installation
Tools

Component
Specs

Pro-Torq®

Long-Life
Systems

Engineering
Changes

Cross
Reference

Installation
Instructions

Cross Reference

Information contained in this section is furnished as a guide.
Verify specific application elsewhere in this catalog when possible.

Competitive Part No.	Competitor's Name	STEMCO Misc Products	STEMCO Std/ Grit Guard®	STEMCO Guardian®	STEMCO Voyager®	STEMCO Discover®
003102611	Western Star	310-1037				
01005503	Dexter		372-7097	307-0743	373-0143	373-0243
02000655	Timpte	330-3009				
02009111	Timpte		372-7097	307-0743	373-0143	373-0243
02009913	Timpte	340/343-4009				
027003942	GMC/Volvo	343-4249				
027023479	Western Star	343-4095				
027074450	GMC/Volvo	320-2106				
027074962	GMC/Volvo		392-9131	309-0973	393-0173	393-0273
027077882	Western Star	310-1111				
027125816	GMC/Volvo		392-9131	309-0973	393-0173	393-0273
06-201	Batco	447-4743				
06-203	Batco	447-4743				
06-204	Batco	448-4836				
06-210	Batco	448-4836				
06-226	Batco	447-4723				
06-348	Batco	448-4837				
06-354	Batco	448-4836				
06-358	Batco	448-4836				
06-403	Batco	447-4743				
06-404	Batco	447-4743				
06-411	Batco	449-4973				
06-412	Batco	449-4973				
06-424	Batco	447-4743				
06-425	Batco	447-4743				
06-470	Batco	449-4974				
06-472	Batco	449-4974				
06-482	Batco	449-4973				
06-484	Batco	449-4973				
1008569	Eaton	330-3009				
100858201	Eaton		382-8036	308-0836	383-0136	383-0236
100858401	Eaton		382-8036	308-0836	383-0136	383-0236
10284	Dana	447-4743				
10284	Kershaw	447-4743				
10286	Dana	447-4743				
10286	Kershaw	447-4743				
103100-1	Std. Forge	447-4743				
103102-001	Std. Forge	447-4743				
103103-002	Std. Forge	447-4743				
103104-001	Std. Forge	447-4743				
103105	Std. Forge	448-4836				
10406	Dana	447-4743				
10408	Dana	447-4743				
105013	Std. Forge	447-4743				
10895522	GMC/Volvo			308-0870		
11249	Eaton	449-4973				
11724	Dexter	320-2110				
119427	Eaton	460-6002				
119429	Eaton	460-6006				
119431	Eaton	460-6001				
119457	Eaton	460-6002				
1199A1665	Meritor		392-9021			
1199B1614	Meritor		392-9021			
1199B1666	Meritor	310-1111				
1199E1669	Meritor	315-1502				
1199G1151	Meritor	310-1095				

- When using HM516449A, use 392-9130 set.
- Use 0912 w/ 5.687 bore only; Use 0915 w/ 5.50 bore only.
- Obsolete set, components still available.
- Order kit # 383-8139 for Voyager® and 383-8239 for Discover®.

(Continued Next Page)

Shaded numbers indicate obsolete part numbers, refer to Engineering Changes for more information.

Cross Reference

Information contained in this section is furnished as a guide.
Verify specific application elsewhere in this catalog when possible.

Competitive Part No.	Competitor's Name	STEMCO Misc Products	STEMCO Std/ Grit Guard®	STEMCO Guardian®	STEMCO Voyager®	STEMCO Discover®
1199J2428	Meritor		392-9087	309-0970		
1199N2926	Meritor					
1199R2722	Meritor	310-1018				
1199S3633	Meritor	310-1008				
1199U2517	Meritor	310-1037				
1199V1296	Meritor	310-1012/1091				
1199Y3431	Meritor	315-1502				
1199Z3094	Meritor	315-1504				
1199Z3146	Meritor		392-9087	309-0970		
1204	C/R		382-8025 ☒			
1205	C/R		392-9018			
1207	C/R		392-9096	309-0965		
1208	C/R		392-9132	309-0960		
1211	C/R		392-9131	309-0973	393-0173	393-0273
1212	C/R		392-9062			
1213	C/R		392-9087	309-0970		
1214	C/R		392-9099	309-0912/0915 ☒	393-0112	393-0212
1215	C/R		392-9131	309-0973	393-0173	393-0273
1216	C/R		392-9087	309-0970		
1219	C/R		392-9057	309-0957		
121SR19	Mack	330-3009				
1225L948	Meritor	364-6435				
1227-B-106	Meritor	448-4836				
1227-B-756	Meritor	447-4743				
1227-B-1484	Meritor	447-4723				
1227-C-549	Meritor	447-4743				
1227-E-1045	Meritor	449-4974				
1227-K-1389	Meritor	447-4723				
1227-L-194	Meritor	448-4836				
1227-M-715	Meritor	449-4974				
1227-R-330	Meritor	449-4973				
1227-R-1240	Meritor	449-4973				
1227-T-228	Meritor	447-4743				
1227-T-540	Meritor	447-4743				
1227-U-541	Meritor	448-4836				
1227-W-517	Meritor	449-4973				
1227-X-102	Meritor	448-4836				
1227-Z-1040	Meritor	449-4974				
1227-P-1160	Meritor	447-4743				
12375801	A M General	340-4296				
1244N1210	Meritor	310-1066				
1244U879	Meritor	310-1089				
127043	Eaton	320-2106				
127044	Eaton	310-1111				
127719	Eaton	460-6006				
127720	Eaton	460-6001				
127721	Eaton	460-6002				
128113	Crane	330-3009				
128333	Eaton	448-4837				
1282	C/R	340-4975				
1283	C/R	640-0003				
1284	C/R	349-4975				
128355	Eaton	320-2102				
128356	Eaton	315-1501				
1306	C/R		392-9038			
1307	C/R		392-9035	309-0935		

☐ When using HM516449A, use 392-9130 set.

☒ Use 0912 w/ 5.687 bore only; Use 0915 w/ 5.50 bore only.

☓ Obsolete set, components still available.

☑ Order kit # 383-8139 for Voyager® and 383-8239 for Discover®.

(Continued Next Page)

Shaded numbers indicate obsolete part numbers, refer to Engineering Changes for more information.

Cross Reference

Information contained in this section is furnished as a guide.
Verify specific application elsewhere in this catalog when possible.

Competitive Part No.	Competitor's Name	STEMCO Misc Products	STEMCO Std/ Grit Guard®	STEMCO Guardian®	STEMCO Voyager®	STEMCO Discover®
1308	C/R		392-9099	309-0912/0915}2}	393-0112	393-0212
1311	C/R	349-4024				
1321	C/R		392-9018			
1322	C/R		392-9057	309-0957		
1343	C/R	349-4009				
13567	Crane	320-2137				
13568	Crane	320-2106				
1399	C/R	349-4195				
1436860008	Westport	343-4024				
1436860010	Westport	343-4249				
1436860011	Westport	343-4095				
1436900006	Westport		382-8036	308-0836	383-0136	383-0236
1436900007	Westport		372-7097	307-0743	373-0143	373-0243
150012	Ceromet	448-4836				
150018	Ceromet	448-4837				
15507089	GMC		382-8064	308-0864	383-0164	383-0264
15511620	GMC/Volvo	359-5970				
15519908	GMC/Volvo		382-8071		383-0171	
15519910	GMC/Volvo	320-2216				
15520072	GMC/Volvo		382-8009			
15520073	GMC/Volvo	343-4198				
15527755	GMC/Volvo		382-8063	308-0863		
15527780	GMC/Volvo		382-8053	308-0853	383-0153	
15527781	GMC/Volvo		392-9033			
15534441	GMC/Volvo	359-5968				
1554331C1	Navistar		382-8036	308-0836	383-0136	383-0236
15550869	GMC/Volvo		392-9131	309-0973	393-0173	393-0273
15556130	GMC/Volvo	343-4249				
15556131	GMC/Volvo	330-3122				
15557677	GMC/Volvo		392-9131	309-0973	393-0173	393-0273
15557678	GMC/Volvo		392-9099	309-0912	393-0112	393-0212
15587578	GMC/Volvo	340-4263				
15587579	GMC/Volvo	340-4263				
15588691	GMC/Volvo					
15588692	GMC/Volvo					
15588693	GMC/Volvo					
15611171	GMC/Volvo		382-8029			
15611171	GMC/Volvo		392-9018			
15663537	GMC/Volvo		382-8036	308-0836	383-0136	383-0236
15679880	GMC/Volvo		392-9131	309-0973	393-0173	393-0273
15679881	GMC/Volvo		392-9099	309-0912	393-0112	393-0212
15687419	GMC/Volvo		382-8064	308-0864	383-0164	383-0264
15703555	GMC/Volvo		392-9099	309-0912	393-0112	393-0212
15844467	GMC/Volvo			308-0870		
15965961	GMC/Volvo	320-2029				
15965962	GMC/Volvo	310-1018				
15982869	GMC/Volvo		392-9131	309-0973	393-0173	393-0273
1600	CR	347-4009				
1607743C1	Navistar	448-4836				
1607744C1	Navistar	449-4973				
1608	CR	340-4065				
1609948C1	Navistar	320-2106				
1611843C91	Navistar		382-8036	308-0836	383-0136	383-0236
1612	CR	343-4024				
1612823C1	Navistar		382-8056	308-0856	383-0156	
1612877C91	Navistar		382-8064	308-0864	383-0164	383-0264

- When using HM516449A, use 392-9130 set.
- Use 0912 w/ 5.687 bore only; Use 0915 w/ 5.50 bore only.
- Obsolete set, components still available.
- Order kit # 383-8139 for Voyager® and 383-8239 for Discover®.

(Continued Next Page)

Shaded numbers indicate obsolete part numbers, refer to Engineering Changes for more information.

Cross Reference

Information contained in this section is furnished as a guide.
Verify specific application elsewhere in this catalog when possible.

Competitive Part No.	Competitor's Name	STEMCO Misc Products	STEMCO Std/ Grit Guard®	STEMCO Guardian®	STEMCO Voyager®	STEMCO Discover®
1613	CR	343-4249				
1615304C1	Navistar		382-8036	308-0836	383-0136	383-0236
1615305C1	Navistar		392-9131	309-0973	393-0173	393-0273
1623	C/R	343-4066				
1627	C/R	343-4019				
1630	C/R	343-4014				
1642	C/R	343-4013				
1643	C/R	343-4009				
1643	C/R	343-4249				
1644	CR	343-4009				
1649628C1	Navistar		372-7097	307-0743	373-0143	373-0243
1654330C1	Navistar		392-9099	309-0912/0915	393-0112	393-0212
1654331C1	Navistar		382-8036	308-0836	383-0136	383-0236
1655102C1	Navistar		382-8056	308-0856	383-0156	
1657081C91	Navistar	343-4249				
1659759C91	Navistar		382-8066	308-0866	383-0166	
1660383C91	Navistar	340-4332				
1660994C1	Navistar		382-8064	308-0864	383-0164	383-0264
1663974C91	Navistar		392-9036			
166437R91	Navistar		392-9099	309-0912/0915	393-0112	393-0212
1665	CR	343-4042				
1669	CR	343-4025				
1670	CR	343-4072				
1680802C1	Navistar		392-9131	309-0973	393-0173	393-0273
1681	CR	343-4186				
1682	CR	343-4075				
1685942C91	Navistar		392-9088	309-0964		
1688203C1	Navistar		382-8036	308-0836	383-0136	383-0236
1691	CR	340-4098				
16911843C91	Navistar		382-8036	308-0836	383-0136	383-0236
1696	CR	343-4195				
1698	CR	340-4080				
1698	CR	343-4164				
1702	CR	343-4036				
1703	CR	343-4249				
1704	CR	343-4049				
1711	CR	343-4024				
1715	CR	343-4028				
1720	CR	343-4082				
1723	CR	343-4066				
1727	CR	343-4019				
1732	CR	340-4070 ¹				
1736	CR	343-4012				
1737	CR	340-4015				
1738	CR	343-4011				
1741	CR	343-4059				
1742	CR	343-4013				
1743	CR	343-4009				
1743	CR	343-4046				
1743	CR	343-4095				
1753	CR	343-4249				
1754	CR	343-4057				
1764	CR	340-4037				
1769	C/R	343-4025				
1770	C/R	343-4034				
1781	C/R	343-4186				

¹ When using HM516449A, use 392-9130 set.

² Use 0912 w/ 5.687 bore only; Use 0915 w/ 5.50 bore only.

³ Obsolete set, components still available.

⁴ Order kit # 383-8139 for Voyager® and 383-8239 for Discover®.

(Continued Next Page)

Shaded numbers indicate obsolete part numbers, refer to Engineering Changes for more information.

Cross Reference

Information contained in this section is furnished as a guide.
Verify specific application elsewhere in this catalog when possible.

Competitive Part No.	Competitor's Name	STEMCO Misc Products	STEMCO Std/ Grit Guard®	STEMCO Guardian®	STEMCO Voyager®	STEMCO Discover®
1787	C/R	343-4092				
1788	C/R	343-4249				
1790	C/R	343-4098				
1798	C/R	343-4080				
1800	C/R	347-4009				
1801	C/R	347-4013				
1803	C/R	343-4149				
1808	C/R	343-4065				
1811	C/R	343-4024				
1823	C/R	343-4042				
1827	C/R	343-4002				
1842	C/R	343-4013				
1843	C/R	343-4009				
1843	C/R	343-4046				
1843	C/R	343-4095				
1865	C/R	343-4066				
1869	C/R	343-4025				
1870	C/R	343-4034				
1881	C/R	343-4028				
1890	C/R	343-4249				
1898	C/R	343-4080				
19186	Eaton	447-4743				
19QJ238	Mack	343-4025				
19QJ29302A	Mack	343-4024/4308				
19QJ29304	Mack	343-4095				
19QJ29304A	Mack	343-4095/4309				
19QJ310	Mack	343-4025				
19QJ313	Mack	343-4009				
19QJ318	Mack	343-4098				
19QJ319	Mack	343-4249				
19QJ324	Mack	343-4095				
19QJ325	Mack	343-4092				
19QJ325P2	Mack	343-4092/4312				
19QJ332	Mack	343-4249				
19QJ334	Mack	343-4024				
19QJ335	Mack	343-4264				
19QJA29302	Mack	343-4024				
19QJA29304	Mack	343-4095				
19QJA310	Mack	343-4025				
19QJA310P1	Mack	343-4025				
19QJA315	Mack	343-4057				
19QJA319	Mack	343-4249				
19QJA320	Mack	343-4249				
2009947C91	Navistar	343-4281				
2029409	GMC/Volvo	320-2102				
2033466C91	Navistar	343-4065				
2033863C91	Navistar	343-4009				
2034224	GMC/Volvo		382-8032			
2034230	GMC/Volvo		382-8017			
2034237	GMC/Volvo		392-9057	309-0957		
203452	Manac	330-3009/3067				
203453	Manac	343-4009				
203467	Manac	315-1504				
203469	Manac	310-1048				
203470	Manac	320-2110				
2036166	GMC/Volvo	315-1501				

- When using HM516449A, use 392-9130 set.
- Use 0912 w/ 5.687 bore only; Use 0915 w/ 5.50 bore only.
- Obsolete set, components still available.
- Order kit # 383-8139 for Voyager® and 383-8239 for Discover®.

(Continued Next Page)

Shaded numbers indicate obsolete part numbers, refer to Engineering Changes for more information.

Cross Reference

Information contained in this section is furnished as a guide.
Verify specific application elsewhere in this catalog when possible.

Competitive Part No.	Competitor's Name	STEMCO Misc Products	STEMCO Std/ Grit Guard®	STEMCO Guardian®	STEMCO Voyager®	STEMCO Discover®
2037474C1	Navistar	448-4837				
2039149	GMC/Volvo		382-8017			
2039419	GMC/Volvo		382-8017			
2045996	GMC/Volvo		382-8001		383-0101	
2056780	GMC/Volvo	359-5991				
2059246	GMC/Volvo	359-5995				
2064489	GMC/Volvo		392-9057	309-0957		
2071314	Crane	310-1037				
2071319	Crane	310-1111				
2071760	Crane	315-1502				
2078026	GMC/Volvo		392-9132	309-0960		
2079222	GMC/Volvo	359-5990				
2094440	GMC/Volvo	320-2029				
2099450	GMC/Volvo	320-2104				
2208A885	Meritor	330-3060				
2208C575	Meritor	330-3009				
2208C835	Meritor	330-3040				
2208E889	Meritor	330-3024				
2208N820	Meritor	330-3097				
2208U1113	Meritor	330-3118				
2222	National					
2245A27	Meritor	310-1089				
2297M6981	Meritor	315-1525				
2302130	GMC/Volvo	310-1123				
231206	National		392-9111			
2317614	GMC/Volvo		392-9131	309-0973	393-0173	393-0273
23590	C/R PlusXL				383-0175	
240694R1	Navistar	359-6032				
2413360	GMC/Volvo		392-9053			
2428573	GMC/Volvo	343-4042				
2444414	GMC/Volvo	343-4066				
2455044	GMC/Volvo	330-3009				
2455048	GMC/Volvo	310-1012				
2455091	GMC/Volvo	310-1034				
2455092	GMC/Volvo	320-2034				
2455093	GMC/Volvo	330-3041				
2455943	GMC/Volvo	320-2017				
2455944	GMC/Volvo	310-1017				
2456738	GMC/Volvo	320-2008				
2456739	GMC/Volvo	310-1079				
2477708	GMC/Volvo	320-2036				
2485338	GMC/Volvo	310-1018				
2498220	GMC/Volvo		382-8064	308-0864	383-0164	383-0264
2501559C1	Navistar	449-4974				
254032C91	Navistar		392-9053			
260421C1	Navistar	343-4092				
26209	C/R	429-0004				
26220	C/R	429-0004				
26239	C/R	429-0004				
262512	Ceromet	449-4974				
262516C	Ceromet	447-4743				
26373	C/R	429-0003				
26378	C/R	460-6002				
2674	National		382-8044			
26762	C/R	429-0004				
2708026	GMC/Volvo		392-9132	309-0960		

- 1 When using HM516449A, use 392-9130 set.
- 2 Use 0912 w/ 5.687 bore only; Use 0915 w/ 5.50 bore only.
- 3 Obsolete set, components still available.
- 4 Order kit # 383-8139 for Voyager® and 383-8239 for Discover®.

(Continued Next Page)

Shaded numbers indicate obsolete part numbers, refer to Engineering Changes for more information.

Cross Reference

Information contained in this section is furnished as a guide.
Verify specific application elsewhere in this catalog when possible.

Competitive Part No.	Competitor's Name	STEMCO Misc Products	STEMCO Std/ Grit Guard®	STEMCO Guardian®	STEMCO Voyager®	STEMCO Discover®
27295	C/R	429-0008				
27430	C/R					
27438	C/R		382-8043			
27461	C/R	460-6005				
27467	C/R	460-6005				
27500	C/R	460-6005				
27542	C/R	429-0009				
27558	C/R	460-6004				
27565	C/R	429-0009				
2757682	GMC/Volvo		392-9096	309-0965		
277428C91	Navistar	320-2029				
278616C91	Navistar	320-2117				
280886C91	Navistar		392-9099	309-0912/0915 2	393-0112	393-0212
283109C1	Navistar	359-5995				
283110C1	Navistar	359-5990				
283111C1	Navistar	359-5997				
283112C1	Navistar	359-5992				
283113C1	Navistar	359-5996				
283114C1	Navistar	359-5991				
28425	CR		392-9063			
28426	CR		392-9063			
286517C91	Navistar	320-2137				
286518C1	Navistar	310-1037				
28745	C/R		382-8066	308-0866	383-0166	
28758	C/R		382-8066	308-0866	383-0166	
28820	C/R		372-7046			
28828	C/R		382-8018			
28830	C/R		382-8044			
28832	C/R		382-8044			
29288	C/R	460-6003				
29292	C/R	460-6006				
29316	C/R	429-0006				
29322	C/R	429-0006				
29380	C/R	429-0006				
29381	C/R	429-0013				
29480	C/R PlusXL				383-0176	
29528	C/R	429-0012				
2960381	Dodge		392-9010			
296393C91	Navistar		382-8036	308-0836	383-0136	383-0236
296395C91	Navistar		392-9088	309-0964		
296409C91	Navistar	320-2010				
296436C1	Navistar	330-3036				
296438C91	Navistar		372-7099	307-0713	373-0113	373-0213
296441C91	Navistar		392-9095	309-0961		
29865	C/R	429-0005				
29867	C/R	429-0005				
29912	C/R	460-6007				
29961	C/R	460-6007				
29QJ110A	Mack		382-8023			
29QJ123	Mack		382-8023			
29QJ127	Mack	310-1041				
29QJ210	Mack	310-1051				
29QJ211	Mack	310-1038				
29QJ212	Mack	310-1037				
29QJ219	Mack	310-1111				
29QJ222	Mack	315-1516				

- When using HM516449A, use 392-9130 set.
- Use 0912 w/ 5.687 bore only; Use 0915 w/ 5.50 bore only.
- Obsolete set, components still available.
- Order kit # 383-8139 for Voyager® and 383-8239 for Discover®.

(Continued Next Page)

Shaded numbers indicate obsolete part numbers, refer to Engineering Changes for more information.

Cross Reference

Information contained in this section is furnished as a guide.
Verify specific application elsewhere in this catalog when possible.

Competitive Part No.	Competitor's Name	STEMCO Misc Products	STEMCO Std/ Grit Guard®	STEMCO Guardian®	STEMCO Voyager®	STEMCO Discover®
29QJ229	Mack	310-1111				
29QJ230	Mack	310-1089				
29QJ233	Mack	310-1079				
29QJ235	Mack	310-1103				
29QJ2930	Mack	315-1502				
29QJ29301	Mack	315-1502				
29QJ29302	Mack	310-1036				
29QJ29304	Mack	310-1093				
29QJ29305	Mack	315-1501				
30007	C/R	429-0005				
30057	C/R	460-6012				
301	NOK		372-7098	307-0713	373-0113	373-0213
301401	Pioneer Weston		372-7098	307-0713	373-0113	373-0213
30153	C/R	429-0010				
302	NOK		372-7099	307-0723	373-0123	373-0223
302200	Pioneer Weston		372-7099	307-0723	373-0123	373-0223
302402	Pioneer Weston		372-7099	307-0723	373-0123	373-0223
303	NOK		372-7097	307-0743	373-0143	373-0243
303100	Pioneer Weston		372-7097	307-0743	373-0143	373-0243
30323	NOK		372-7018			
30323	NOK		382-8029			
30323	NOK		392-9018			
303403	Pioneer Weston		372-7097	307-0743	373-0143	373-0243
304	NOK		392-9131	309-0973	393-0173	393-0273
30445	C/R	429-0010				
304404	Pioneer Weston		372-7095	307-0744	373-0144	
305	NOK		382-8036	308-0836	383-0136	383-0236
305132C92	Navistar	343-4186				
305133C1	Navistar	330-3028				
305387C1	Navistar	310-1089				
305405	Pioneer Weston		392-9094	309-0903		
306	NOK		392-9099	309-0912/0915 2	393-0112	393-0212
306408	Pioneer Weston		392-9087	309-0970		
307	NOK		392-9088	309-0964		
307408	Pioneer Weston		392-9131	309-0973	393-0173	393-0273
308	NOK		392-9132	309-0960		
308408	Pioneer Weston		392-9132	309-0960		
309409	Pioneer Weston		392-9099	309-0912/0915 2	393-0112	393-0212
30QJ256	Mack	315-1511				
30QJ258	Mack	315-1515				
3102611	GMC/Volvo	310-1037				
310410	Pioneer Weston		392-9088	309-0964		
311411	Pioneer Weston		392-9096	309-0965		
31175	C/R		382-8009			
31182	C/R	Same as 31175 used	for worn hubs or oversize seal bore			
31203	C/R		382-8009			
312100	Pioneer Weston		382-8036	308-0836	383-0136	383-0236
31244	C/R	320-2022				
31244	C/R		382-8010			
31264						
31266	C/R	320-2125				
31266	C/R		382-8062			
31269	C/R		382-8010			
31270	C/R		382-8010			
31271	C/R		382-8010			
31281	C/R		372-7049			

1 When using HM516449A, use 392-9130 set.

2 Use 0912 w/ 5.687 bore only; Use 0915 w/ 5.50 bore only.

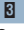
3 Obsolete set, components still available.

4 Order kit # 383-8139 for Voyager® and 383-8239 for Discover®.


(Continued Next Page)


Shaded numbers indicate obsolete part numbers, refer to Engineering Changes for more information.


Cross Reference

Competitive Part No.	Competitor's Name	STEMCO Misc Products	STEMCO Std/ Grit Guard®	STEMCO Guardian®	STEMCO Voyager®	STEMCO Discover®
31288	C/R		392-9038			
31299	C/R		392-9038			
31301	C/R		392-9038			
31307	C/R		372-7048 			
31307	C/R		392-9038			
3130997908	Bluebird		382-8036	308-0836	383-0136	383-0236
314755C91	Navistar	343-4066				
315100	Pioneer Weston		382-8064	308-0864	383-0164	383-0264
317100	Pioneer Weston		382-8056	308-0856	383-0156	
31927	Eaton	449-4973				
319506C91	Navistar		382-8053	308-0853	383-0153	
31955	C/R		382-8035			
31960	C/R		382-8035			
31961	C/R		382-8035			
3208J1076	Meritor	330-3041				
32385	C/R	429-0007				
32397	C/R	429-0007				
324043R91	Navistar		392-9033			
32410	C/R	460-6011				
32449	C/R		382-8017			
32452	C/R		382-8010			
32453	C/R		382-8010			
32467	C/R		382-8010			
32470	C/R		382-8017			
32477	C/R		382-8017			
32501	C/R		382-8010			
325012	Ceromet	449-4973				
32502	C/R		382-8010			
32510	C/R		382-8017			
32540	C/R		382-8017			
32564	C/R		382-8017			
326283C91	Navistar		392-9095	309-0961		
32710	C/R		392-9038			
32870	C/R	429-0011				
32QJ112B	Mack		392-9092	309-0965		
32QJ127A	Mack		392-9131	309-0973	393-0173	393-0273
32QJ131A	Mack		382-8064	308-0864	383-0164	383-0264
32QJ179	Mack	320-2106				
32QJ225	Mack	320-2039				
32QJ228	Mack	320-2009				
32QJ235	Mack	320-2023				
32QJ237	Mack	320-2106				
32QJ238	Mack		382-8010			
32QJ240	Mack	320-2097				
32QJ241	Mack	320-2129				
32QJ243	Mack	320-2213				
32QJ245	Mack	320-2137				
32QJ246	Mack		382-8011			
32QJ248	Mack		382-8039		383-0139	383-0239
32QJ249	Mack	320-2118				
32QJ251	Mack	320-2099				
32QJ252	Mack		382-8064	308-0864	383-0164	383-0264
32QJ260	Mack	320-2001				
32QJ262	Mack		382-8039		383-0139	383-0239
32QJ263	Mack		392-9094	309-0903	393-0103	393-0203
32QJ265	Mack		392-9081	309-0960		

 When using HM516449A, use 392-9130 set.

 Use 0912 w/ 5.687 bore only; Use 0915 w/ 5.50 bore only.

 Obsolete set, components still available.

 Order kit # 383-8139 for Voyager® and 383-8239 for Discover®.

(Continued Next Page)

Shaded numbers indicate obsolete part numbers, refer to Engineering Changes for more information.

Cross Reference

Information contained in this section is furnished as a guide.
Verify specific application elsewhere in this catalog when possible.

Competitive Part No.	Competitor's Name	STEMCO Misc Products	STEMCO Std/ Grit Guard®	STEMCO Guardian®	STEMCO Voyager®	STEMCO Discover®
32QJ267	Mack		392-9131	309-0973	393-0173	393-0273
32QJ268	Mack		392-9094	309-0903	393-0103	393-0203
32QJ269	Mack		382-8036	308-0836	383-0136	383-0236
32QJ270	Mack		382-8064	308-0864	383-0164	383-0264
32QJ271	Mack		392-9112 1	309-0904	393-0104	393-0204
32QJ276	Mack		392-9089	309-0948	393-0148	
32QJ29302	Mack	320-2036				
32QJ29315	Mack		382-8036	308-0836	383-0136	383-0236
32QJ29316	Mack		392-9131	309-0973	393-0173	393-0273
32QJ29318	Mack		392-9094	309-0904	393-0104	393-0204
32QJ29320	Mack		382-8064	308-0864	383-0164	383-0264
330783408	Western Star		392-9131	309-0973	393-0173	393-0273
331471C91	Navistar	320-2102				
33254	C/R	429-0011				
33751	C/R	429-0014				
337711C92	Navistar		392-9099	309-0912/0915 2	393-0112	393-0212
338877R91	Navistar		392-9036			
340107C92	Navistar		392-9088	309-0964		
34046	Eaton		392-9088	309-0964		
34090	Eaton	447-4743				
340929C91	Navistar		392-9036			
341SR36	Mack	310-1088				
341SR38	Mack	310-1007				
341SR41	Mack		392-9095	309-0961		
34383	C/R		392-9035	309-0935		
34384	C/R PlusXL		392-9035	309-0935		
34385	C/R		392-9035	309-0935		
34386	C/R		392-9035	309-0935		
34387	C/R Classic		392-9035	309-0935		
348012	Ceromet	447-4723				
348012E	Ceromet	447-4724				
34882	C/R	429-0002				
34885	C/R		382-8063	308-0863		
34891	C/R	429-0002				
34971	C/R PlusXL		382-8063	308-0863		
34972	C/R		382-8063	308-0863		
34975	C/R Classic		382-8063	308-0863		
34980	C/R		382-8063	308-0863		
34994	C/R PlusXL		392-9036			
34999	C/R		392-9036			
35000	C/R Classic		392-9036			
35001	C/R LongLife		392-9036			
35012	C/R		392-9036			
35029	C/R		392-9036			
35058	C/R PlusXL		382-8036	308-0836	383-0136	383-0236
35059	C/R		382-8036	308-0836	383-0136	383-0236
35060	C/R		382-8035			
35062	C/R		382-8036	308-0836	383-0136	383-0236
35066	C/R Classic		382-8036	308-0836	383-0136	383-0236
35072	C/R	Same as 35066 used for worn hubs or				
35075	C/R	oversize seal bore	372-7005			
35075	C/R		372-7006			
35075	C/R		382-8025			
35093	C/R		372-7005			
35093	C/R		372-7006			
35093	C/R		372-7009			

❑ When using HM516449A, use 392-9130 set.

❑ Use 0912 w/ 5.687 bore only; Use 0915 w/ 5.50 bore only.

❑ Obsolete set, components still available.

❑ Order kit # 383-8139 for Voyager® and 383-8239 for Discover®.

❑ Seal 320-2102 installs in bearing cup bore or use Guardian® 309-0912 in seal bore.

(Continued Next Page)

Shaded numbers indicate obsolete part numbers, refer to Engineering Changes for more information.

Cross Reference

Information contained in this section is furnished as a guide.
Verify specific application elsewhere in this catalog when possible.

Competitive Part No.	Competitor's Name	STEMCO Misc Products	STEMCO Std/ Grit Guard®	STEMCO Guardian®	STEMCO Voyager®	STEMCO Discover®
35102	C/R		382-8036	308-0836	383-0136	383-0236
35103	C/R LongLife		382-8036	308-0836	383-0136	383-0236
357	National	330-3077				
35810	C/R		392-9035	309-0935		
35820	C/R					
359922C91	Navistar		382-8064	308-0864	383-0164	383-0264
362402R91	Navistar		382-8032			
36274	C/R					
36282	C/R		382-8034			
36285	C/R w/455035		382-8032			
36285	C/R		382-8034			
36314	C/R		392-9037			
36357	C/R w/455037		382-8011			
36357	C/R		382-8071		383-0171	
36358	C/R Classic		382-8071		383-0171	
36363	C/R		382-8011			
36364	C/R		382-8011			
36365	C/R		382-8011			
36365	C/R Classic		382-8071		383-0171	
36369	C/R		382-8011			
36370	C/R		382-8011			
36378	C/R		372-7005			
36378	C/R		372-7006			
36378	C/R		382-8025			
36382	C/R		382-8034			
364SZ100	Mack		382-8036	308-0836	383-0136	383-0236
364SZ202	Mack		392-9131	309-0973	393-0173	393-0273
364SZ203	Mack		392-9095	309-0961		
364SZ206	Mack		382-8036	308-0836	383-0136	383-0236
36506	Eaton		392-9099	309-0912/0915	393-0112	393-0212
370001A	National		382-8036	308-0836	383-0136	383-0236
370002A	National		372-7006			
370002A	National		372-7009			
370002A	National		382-8025			
370003A	National		392-9131	309-0973	393-0173	393-0273
370004A	National		392-9001			
370005A	National		392-9020			
370005A	National		392-9132	309-0960		
370006A	National		392-9087	309-0970		
370007A	National		382-8028			
370007A	National		392-9043			
370008A	National		372-7018			
370008A	National		382-8029			
370008A	National		392-9018			
370009A	National		392-9057	309-0957		
370010A	National		372-7046			
370010A	National		382-8018			
370011A	National		382-8011			
370011A	National		382-8071		383-0171	
370012A	National		382-8032			
370012A	National		382-8034			
370013A	National		372-7005			
370014A	National		372-7049			
370014A	National		382-8010			
370014A	National		382-8062			
370015A	National		382-8052			

- When using HM516449A, use 392-9130 set.
- Use 0912 w/ 5.687 bore only; Use 0915 w/ 5.50 bore only.
- Obsolete set, components still available.
- Order kit # 383-8139 for Voyager® and 383-8239 for Discover®.

(Continued Next Page)

Shaded numbers indicate obsolete part numbers, refer to Engineering Changes for more information.

Cross Reference

Information contained in this section is furnished as a guide.
Verify specific application elsewhere in this catalog when possible.

Competitive Part No.	Competitor's Name	STEMCO Misc Products	STEMCO Std/ Grit Guard®	STEMCO Guardian®	STEMCO Voyager®	STEMCO Discover®
370018A	National		382-8017			
370019A	National		392-9092	309-0965		
370020A	National		382-8060			
370021A	National		392-9088	309-0964		
370022A	National		392-9094	309-0903	393-0103	393-0203
370023A	National		392-9099 ☐	309-0912/0915	393-0112	393-0212
370024A	National		392-9099 ☐	309-0915	393-0115	
370025A	National		372-7097	307-0743	373-0143	373-0243
370026A	National		372-7022			
370027A	National		372-7025			
370027A	National		392-9021			
370027A	National		392-9046			
370028A	National		392-9007			
370029A	National		372-7008			
370030A	National		392-9095	309-0961		
370031A	National		392-9112 ☐	309-0904	393-0104	393-0204
370033A	National		382-8039		383-0139	383-0239
370033A	National		392-9010			
370034A	National		392-9131	309-0973	393-0173	393-0273
370036A	National		372-7003			
370036A	National		372-7098	307-0713	373-0113	373-0213
370036A	National		392-9032			
370037A	National		372-7095	307-0744	373-0144	
370038A	National					
370039A	National					
370043A	National					
370046A	National		392-9038			
370047A	National		392-9035	309-0935		
370048A	National		382-8064	308-0864	383-0164	383-0264
370051A	National					
370054A	National		382-8044			
370057A	National		372-7004			
370057A	National		382-8045			
370057A	National		392-9019 ☐			
370063A	National					
370064A	National					
370065A	National		372-7099	307-0723	373-0123	373-0223
370066A	National		382-8001		383-0101	
370069A	National		392-9048 ☐	309-0948	393-0148	
370078A	National					
370086A	National					
370094A	National					
370106A	National		392-9045			
370107A	National		372-7091		373-0191	
370109A	National					
370119A	National					
370120A	National		392-9053			
370121A	National		392-9062			
370124A	National		382-8053	308-0853	383-0153	
370131A	National		382-8056	308-0856	383-0156	
370132A	National		382-8063	308-0863		
370145A	National		382-8009			
370150A	National		382-8066	308-0866	383-0166	
370165A	National		392-9099	309-0912/0915		
370166A	National					
370169A	National		392-9036			

- ☐ When using HM516449A, use 392-9130 set.
 ☑ Use 0912 w/ 5.687 bore only; Use 0915 w/ 5.50 bore only.
 ☒ Obsolete set, components still available.
 ☓ Order kit # 383-8139 for Voyager® and 383-8239 for Discover®.

(Continued Next Page)

Shaded numbers indicate obsolete part numbers, refer to Engineering Changes for more information.

Cross Reference

Information contained in this section is furnished as a guide.
Verify specific application elsewhere in this catalog when possible.

Competitive Part No.	Competitor's Name	STEMCO Misc Products	STEMCO Std/ Grit Guard®	STEMCO Guardian®	STEMCO Voyager®	STEMCO Discover®
370173A 370175A 370178A	National National National		392-9081 392-9033	309-0960		
370179A 370181A 370182A	National National National		382-8027 392-9132 382-8064	309-0960 308-0864	383-0164	383-0264
370191A 370192A 370192A	National National National		372-7015 372-7017			
370195A 370198A 370199A	National National National		392-9034 382-8039		393-0134 383-0139 383-0175	383-0239
370211A 370212A 370215A	National National National				383-0176	
370219A 370220A 370338A	National National National		392-9111 372-7095	307-0744	373-0144	
370349A 370349A 370349A	National National National		372-7003 372-7098 392-9032	307-0713	373-0113	373-0213
37532 37532 37561	C/R C/R C/R		382-8032 382-8035 382-8035			
376590A 3796564 3796575	National GMC/Volvo GMC/Volvo		372-7099 392-9057 392-9057	307-0723 309-0957 309-0957	373-0123	373-0223
380001A 380003A 380019C91	National National Navistar		382-8036 392-9131 392-9099	308-0836 309-0973 309-0912/0915	383-0136 393-0173 393-0112	383-0236 393-0273 393-0212
380022A 380023A 380025A	National National National		392-9094 392-9099 372-7097	309-0903 309-0912/0915 307-0743	393-0103 393-0112 373-0143	393-0203 393-0212 373-0243
380031A 380036A 380036A	National National National		392-9112 □ 372-7003 372-7098	309-0904	393-0104	393-0204
380036A 380048A 380065A	National National National		392-9032 382-8064 372-7099	308-0864 307-0723	383-0164 373-0123	383-0264 373-0223
380131A 3827712 383706C91	National Dodge Navistar		382-8056 382-8063 392-9001	308-0856 308-0863	383-0156	
383716C91 383718C1 383727C1	Navistar Navistar Navistar	320-2046 310-1008 330-3040				
383728C1 383733C1 386590A	Navistar Navistar National	330-3056 330-3001	372-7099	307-0723	373-0123	373-0223
38703 38706 38709	C/R C/R C/R		392-9010 392-9010 392-9010			
38736 38745 38747	C/R C/R C/R		392-9099 392-9099	309-0912/0915 309-0912/0915	393-0112 393-0112	393-0212 393-0212
38748 38750	C/R C/R Classic		392-9099 392-9099	309-0915 309-0915	393-0115	

- When using HM516449A, use 392-9130 set.
- ▣ Use 0912 w/ 5.687 bore only; Use 0915 w/ 5.50 bore only.
- ▣ Obsolete set, components still available.
- ▣ Order kit # 383-8139 for Voyager® and 383-8239 for Discover®.

(Continued Next Page)

Shaded numbers indicate obsolete part numbers, refer to Engineering Changes for more information.

Cross Reference

Information contained in this section is furnished as a guide.
Verify specific application elsewhere in this catalog when possible.

Competitive Part No.	Competitor's Name	STEMCO Misc Products	STEMCO Std/ Grit Guard®	STEMCO Guardian®	STEMCO Voyager®	STEMCO Discover®
38774	C/R		392-9099	309-0912/0915	393-0112	393-0212
38776	C/R PlusXL		392-9099	309-0912	393-0112	393-0212
38777	C/R		392-9099	309-0912/0915	393-0112	393-0212
38778	C/R		392-9099	309-0912/0915	393-0112	393-0212
38779	C/R		392-9099	309-0912/0915	393-0112	393-0212
38780	C/R Classic		392-9099	309-0912/0915	393-0112	393-0212
38782	C/R		392-9099	309-0912/0915	393-0112	393-0212
38783	C/R LongLife		392-9099	309-0912	393-0112	393-0212
388250C91	Navistar	343-4025				
39378	C/R		392-9018			
39380	C/R		372-7018			
39380	C/R		382-8029			
39380	C/R		392-9018			
39381	C/R		382-8039		383-0139	383-0239
39385	C/R		372-7018			
39385	C/R		382-8029			
39385	C/R		392-9018			
3941956	Volvo		392-9131	309-0973	393-0173	393-0273
39420	C/R		392-9057	309-0957		
3942006	Volvo		382-8036	308-0836	383-0136	383-0236
39423	C/R		392-9057	309-0957		
39425	C/R		392-9057	309-0957		
39426	C/R		308-0870	308-0870		
39430	C/R		392-9018			
39448886	GMC/Volvo	320-2050				
394735C91	Navistar	343-4092				
3948884	GMC/Volvo	310-1052				
394894C91	Navistar		382-8036	308-0836	383-0136	383-0236
396526C91	Navistar		392-9096	309-0965		
3974846	Navistar		392-9045			
398124C1	Navistar	310-1089				
39975	C/R		382-8039		383-0139	383-0239
39977	C/R		382-8023			
39977	C/R		382-8039		383-0139	383-0239
39979	C/R PlusXL		382-8039		383-0139	383-0239
39980	C/R		382-8039		383-0139	383-0239
39981	C/R		382-8039		383-0139	383-0239
39988	C/R Classic		382-8039		383-0139	383-0239
39990	C/R		382-8039		383-0139	383-0239
3W5687	Caterpillar	343-4009				
3W6998	Caterpillar	330-3009				
4000531R91	Navistar	460-6011				
40023	C/R		382-8029			
40035	C/R		382-8052			
40036	C/R		382-8029			
40040	C/R		382-8052			
40049	C/R		382-8039		383-0139	383-0239
40051	C/R		382-8039		383-0139	383-0239
40052	C/R		382-8039		383-0139	383-0239
40077	C/R		382-8001		383-0101	
40078	C/R		382-8001		383-0101	
40080	C/R		382-8001		383-0101	
40082	C/R		382-8001		383-0101	
400855C91	Navistar		382-8028			
40086	C/R Classic		382-8001		383-0101	
40088	C/R		382-8001		383-0101	

- 1 When using HM516449A, use 392-9130 set.
- 2 Use 0912 w/ 5.687 bore only; Use 0915 w/ 5.50 bore only.
- 3 Obsolete set, components still available.
- 4 Order kit # 383-8139 for Voyager® and 383-8239 for Discover®.

(Continued Next Page)

Shaded numbers indicate obsolete part numbers, refer to Engineering Changes for more information.

Cross Reference

Information contained in this section is furnished as a guide.
Verify specific application elsewhere in this catalog when possible.

Competitive Part No.	Competitor's Name	STEMCO Misc Products	STEMCO Std/ Grit Guard®	STEMCO Guardian®	STEMCO Voyager®	STEMCO Discover®
40090	C/R LongLife		382-8001		383-0101	
40091	C/R PlusXL		382-8001		383-0101	
40108	C/R		392-9032			
401265	Mechanex/Barrier	330-3077				
40129	C/R PlusXL		372-7098	307-0713	373-0113	373-0213
40130	C/R		372-7098	307-0713	373-0113	373-0213
40130	C/R		392-9032			
40133	C/R		372-7098	307-0713	373-0113	373-0213
40133	C/R		392-9032			
40136	C/R		372-7003			
40136	C/R Classic		372-7098	307-0713	373-0113	373-0213
40136	C/R		392-9032			
40139	C/R Same as 40136	used for worn hubs or	oversize seal bore			
40146	C/R		372-7098	307-0713	373-0113	373-0213
40147	C/R LongLife		372-7098	307-0713	373-0113	373-0213
401502	Mechanex/Barrier	330-3014				
401503	Mechanex/Barrier	330-3002				
401504	Mechanex/Barrier	330-3024				
401507	Mechanex/Barrier	330-3041				
401508	Mechanex/Barrier	330-3018				
401508	Mechanex/Barrier	330-3028				
401508	Mechanex/Barrier	330-3120				
401510	Mechanex/Barrier	330-3041				
401511	Mechanex/Barrier	330-3060				
401514	Mechanex/Barrier	330-3034				
401516	Mechanex/Barrier	330-3025				
401516	Mechanex/Barrier	330-3035				
401519	Mechanex/Barrier	330-3012				
401524	Mechanex/Barrier	330-3097				
401524	Mechanex/Barrier	330-3122				
401911P	Mechanex/Barrier	340-4975				
40210	C/R		392-9099	309-0912/0915	393-0112	393-0212
40350	C/R		392-9018			
40360	C/R		392-9099	309-0912/0915	393-0112	393-0212
405367C91	Navistar	460-6004				
407505	Eaton		382-8044			
410324472709	Mack		392-9111			
41035000787789	Mack		392-9111			
411601P	Midland	343-4009				
411604P	Midland	343-4008				
411605P	Midland	343-4095				
411605P	Midland	343-4098				
411605P	Midland	343-4249				
411608P	Midland	343-4013				
411610P	Midland	340-4014				
411616P	Midland	343-4002				
411620P	Midland	343-4066				
411622P	Midland	343-4042				
411625P	Midland	343-4018				
411627P	Midland	343-4028				
411629P	Midland	343-4186				
411630P	Midland	343-4024				
411635P	Midland	343-4065				
411640P	Midland	343-4034				
411644P	Midland	343-4092				
411646P	Midland	343-4025				

- When using HM516449A, use 392-9130 set.
- Use 0912 w/ 5.687 bore only; Use 0915 w/ 5.50 bore only.
- Obsolete set, components still available.
- Order kit # 383-8139 for Voyager® and 383-8239 for Discover®.

(Continued Next Page)

Shaded numbers indicate obsolete part numbers, refer to Engineering Changes for more information.

Cross Reference

Information contained in this section is furnished as a guide.
Verify specific application elsewhere in this catalog when possible.

Competitive Part No.	Competitor's Name	STEMCO Misc Products	STEMCO Std/ Grit Guard®	STEMCO Guardian®	STEMCO Voyager®	STEMCO Discover®
411650P	Midland	343-4012				
411655P	Midland	343-4075				
411688P	Midland	343-4095				
411845P	Midland	343-4149				
411883P	Midland	343-4080				
411917P	Midland	340-4119				
411967P	Midland	343-4046				
4131005	Trailmobile	330-3009				
4131008	Trailmobile	330-3013				
4131012	Trailmobile	330-3019				
4131013	Trailmobile	330-3024				
4131018	Trailmobile	330-3077				
4131024	Trailmobile	330-3104				
4131025	Trailmobile	330-3067				
4131026	Trailmobile	330-3118				
4131027	Trailmobile	330-3122				
4131056	Trailmobile	330-3056				
4131096	Trailmobile	343-4095				
4131097	Trailmobile	343-4195				
4131100	Trailmobile	343-4009				
4131103	Trailmobile	343-4013				
4131107	Trailmobile	343-4019				
4131111	Trailmobile	343-4059				
4131115	Trailmobile	343-4075				
4131121	Trailmobile	340-4163				
4131122	Trailmobile	359-5981				
4131123	Trailmobile	359-5990				
4131124	Trailmobile	343-4249				
4131128	Trailmobile	343-4009				
4131135	Trailmobile		372-7098	307-0713	373-0113	373-0213
4131144	Trailmobile		372-7099	307-0723	373-0123	373-0223
4131145	Trailmobile		372-7091		373-0191	
4131150	Trailmobile		372-7097	307-0743	373-0143	373-0243
4131151	Trailmobile		372-7095	307-0744	373-0144	
4131159	Trailmobile		372-7091		373-0191	
4131160	Trailmobile		372-7095	307-0744	373-0144	
4131162	Trailmobile		372-7097	307-0743	373-0143	373-0243
4131163	Trailmobile		372-7098	307-0713	373-0113	373-0213
4131164	Trailmobile		372-7099	307-0723	373-0123	373-0223
4131166	Trailmobile		392-9088	309-0964		
4131167	Trailmobile		392-9132	309-0960		
4131169	Trailmobile		392-9132	309-0960		
4131170	Trailmobile		392-9131	309-0973	393-0173	393-0273
4131171	Trailmobile		392-9131	309-0973	393-0173	393-0273
4131173	Trailmobile		392-9099	309-0912/0915	393-0112	393-0212
4131188	Trailmobile		392-9087	309-0970		
4131189	Trailmobile		392-9087	309-0970		
4131191	Trailmobile		392-9012	309-0912	393-0112	393-0212
4131192	Trailmobile		392-9099	309-0912/309-0915	393-0112	393-0212
4131193	Trailmobile		392-9088	309-0964		
4131194	Trailmobile		392-9094	309-0903		
4131197	Trailmobile		392-9112	309-0904		
4131199	Trailmobile		392-9081	309-0960		
4131204	Trailmobile		382-8064	308-0864		
4131206	Trailmobile		382-8056	308-0856		
4131210	Trailmobile		372-7098	307-0713	373-0113	373-0213

- 1 When using HM516449A, use 392-9130 set.
 2 Use 0912 w/ 5.687 bore only; Use 0915 w/ 5.50 bore only.
 3 Obsolete set, components still available.
 4 Order kit # 383-8139 for Voyager® and 383-8239 for Discover®.

(Continued Next Page)

Shaded numbers indicate obsolete part numbers, refer to Engineering Changes for more information.

Cross Reference

Information contained in this section is furnished as a guide.
Verify specific application elsewhere in this catalog when possible.

Competitive Part No.	Competitor's Name	STEMCO Misc Products	STEMCO Std/ Grit Guard®	STEMCO Guardian®	STEMCO Voyager®	STEMCO Discover®
4131211	Trailmobile		372-7099	307-0723	373-0123	373-0223
4131212	Trailmobile		372-7097	307-0743	373-0143	373-0243
4131213	Trailmobile		372-7095	307-0744	373-0144	
4131214	Trailmobile		382-8036	308-0836	383-0136	383-0236
4131215	Trailmobile		382-8056	308-0856	383-0156	
4131216	Trailmobile		382-8064	308-0864	383-0164	383-0264
4131220	Trailmobile		382-8036	308-0836	383-0136	383-0236
4131223	Trailmobile		392-9088	309-0964		
4131224	Trailmobile		392-9087	309-0970		
4131225	Trailmobile		392-9112	309-0904	393-0104	393-0204
4131226	Trailmobile		392-9131	309-0973	393-0173	393-0273
4131227	Trailmobile		392-9132	309-0960		
4131229	Trailmobile		392-9112	309-0904	393-0104	393-0204
4131230	Trailmobile		392-9132	309-0960		
4131231	Trailmobile		392-9131	309-0973	393-0173	393-0273
4131232	Trailmobile		392-9088	309-0964		
4131234	Trailmobile		372-7098	307-0713	373-0113	373-0213
4131235	Trailmobile		372-7097	307-0743	373-0143	373-0243
4131236	Trailmobile		372-7099	307-0723	373-0123	373-0223
4131243	Trailmobile	359-5915				
4131244	Trailmobile	359-5995				
4131249	Trailmobile		382-8036	308-0836	383-0136	383-0236
4131250	Trailmobile		382-8056	308-0856	383-0156	
4131251	Trailmobile		382-8064	308-0864	383-0164	383-0264
414467C91	Navistar		372-7095	307-0744	373-0144	
414467C93	Navistar	320-2118				
415027	National		372-7006			
415027	National		382-8025			
415058	National		392-9112	309-0904	393-0104	393-0204
415060	National		392-9096	309-0965		
415200	National		392-9033			
415371	National		392-9088	309-0964		
415371	National		392-9094	309-0903	393-0103	393-0203
41550	C/R		392-9045			
416125	National		382-8011			
416125	National		382-8071			
416130	National		382-8052			
416297	National		392-9038			
416865	National		392-9007			
416888	National		392-9033			
416892	National		392-9088	309-0964		
416895C1	Navistar	310-1093				
417134	National		382-8018			
417158	National		382-8066	308-0866	383-0166	
417172	National		382-8010			
417352	National		382-8017			
417491	National		382-8045			
417505	National		392-9099	309-0912/0915	393-0112	393-0212
417506	National		392-9057	309-0957		
417530	National		382-8053	308-0853	383-0153	
417531	National		382-8056	308-0856	383-0156	
41AX207	Mack		382-8060			
41SR31	Mack	343-4049				
42478	Great Dane		372-7097	307-0743	373-0143	373-0243
42525	Great Dane		372-7099	307-0723	373-0123	373-0223
42550	C/R		392-9045			

- When using HM516449A, use 392-9130 set.
- Use 0912 w/ 5.687 bore only; Use 0915 w/ 5.50 bore only.
- Obsolete set, components still available.
- Order kit # 383-8139 for Voyager® and 383-8239 for Discover®.

(Continued Next Page)

Shaded numbers indicate obsolete part numbers, refer to Engineering Changes for more information.

Cross Reference

Information contained in this section is furnished as a guide.
Verify specific application elsewhere in this catalog when possible.

Competitive Part No.	Competitor's Name	STEMCO Misc Products	STEMCO Std/ Grit Guard®	STEMCO Guardian®	STEMCO Voyager®	STEMCO Discover®
42622	C/R		372-7062			
42622	C/R		372-7099	307-0723	373-0123	373-0223
42623	C/R		372-7062			
42623	C/R Classic		372-7099	307-0723	373-0123	373-0223
42624	C/R		372-7091		373-0191	
42625	C/R	Same as 42623 used for worn hubs or oversize seal bore				
42627	C/R PlusXL		372-7099	307-0723	373-0123	373-0223
426297	National		392-9038			
42630	C/R		372-7099	307-0723	373-0113	373-0213
42631	C/R LongLife		372-7099	307-0723	373-0123	373-0223
42644	C/R		392-9112 □	309-0904	393-0104	393-0204
42650	C/R		392-9112 □	309-0904	393-0104	393-0204
42671	C/R		392-9112 □	309-0904	393-0104	393-0204
42672	C/R Classic		392-9112 □	309-0904	393-0104	393-0204
42673	C/R PlusXL		392-9112 □	309-0904	393-0104	393-0204
426834C1	Navistar	343-4065				
42699	C/R		392-9095	309-0961		
427552R91	Navistar	320-2036				
427553R91	Navistar	343-4066				
427555R2	Navistar	310-1036				
42800	C/R		392-9095	309-0961		
428119C91	Navistar	320-2102				
428120C1	Navistar	315-1501				
428121C1	Navistar	310-1095				
428455C91	Navistar	320-2106				
428456C1	Navistar	315-1502				
431615R3	Navistar	310-1021				
431616R92	Navistar	320-2113				
431619R91	Navistar		372-7098	307-0713	373-0113	373-0223
431620R91	Navistar	343-4009				
431620R92	Navistar	343-4009				
431621R2	Navistar	330-3009/3067				
431622R1	Navistar	320-2109				
43751	C/R		372-7095	307-0744	373-0144	
43752	C/R Classic		372-7095	307-0744	373-0144	
43753	C/R		372-7095	307-0744	373-0144	
43754	C/R PlusXL		372-7095	307-0744	373-0144	
43760	C/R		382-8064	308-0864	383-0164	383-0264
43761	C/R PlusXL		382-8064	308-0864	383-0164	383-0264
43762	C/R		382-8064	308-0864	383-0164	383-0264
43763	C/R		382-8064	308-0864	383-0164	383-0264
43764	C/R Classic		382-8064	308-0864	383-0164	383-0264
43765	C/R LongLife					
43795	C/R		392-9095	309-0961		
43800	C/R w/455034		382-8060			
43820	C/R		392-9092	309-0965		
43820	C/R		392-9096	309-0965		
43860	C/R Classic		392-9096	309-0965		
43861	C/R		392-9096	309-0965		
43865	C/R		392-9092	309-0965		
43875	C/R		392-9131	309-0973	393-0173	393-0273
44068	Great Dane	343-4009				
447550C91	Navistar		372-7005			
447551C91	Navistar		392-9131	309-0973	393-0173	393-0273
447551C92	Navistar	310-1013				
447554C91	Navistar					

- When using HM516449A, use 392-9130 set.
 □ Use 0912 w/ 5.687 bore only; Use 0915 w/ 5.50 bore only.
 □ Obsolete set, components still available.
 □ Order kit # 383-8139 for Voyager® and 383-8239 for Discover®.

(Continued Next Page)

Shaded numbers indicate obsolete part numbers, refer to Engineering Changes for more information.

Cross Reference

Information contained in this section is furnished as a guide.
Verify specific application elsewhere in this catalog when possible.

Competitive Part No.	Competitor's Name	STEMCO Misc Products	STEMCO Std/ Grit Guard®	STEMCO Guardian®	STEMCO Voyager®	STEMCO Discover®
447556C91	Navistar		382-8053	308-0853	383-0153	
447558C91	Navistar		382-8018			
447559C91	Navistar		382-8028			
447559C92	Navistar	320-2028				
447560C91	Navistar		382-8029			
447561C91	Navistar		382-8036	308-0836	383-0136	383-0236
447561C92	Navistar	320-2036				
447562C91	Navistar		382-8064	308-0864	383-0164	383-0264
447563C91	Navistar		392-9001			
447563C92	Navistar	320-2001				
447564C91	Navistar		392-9088	309-0964		
447564C92	Navistar	320-2113				
447565C91	Navistar		392-9010			
447567C91	Navistar		392-9095	309-0961		
447567C92	Navistar	320-2117				
447568C91	Navistar		392-9021			
447568C92	Navistar	320-2021				
447569C91	Navistar		392-9096	309-0965		
447569C92	Navistar		392-9096	309-0965		
447574C91	Navistar		392-9131	309-0973	393-0173	393-0273
447574C92	Navistar		392-9131	309-0973	393-0173	393-0273
44916	C/R PlusXL		382-8053	308-0853	383-0153	
44919	C/R		382-8053	308-0853	383-0153	
44920	C/R		382-8053	308-0853	383-0153	
44922	C/R Classic		382-8053	308-0853	383-0153	
44930	C/R		392-9033			
44963	C/R		392-9033			
44964	C/R Classic		392-9033			
44967	C/R		392-9033			
44968	C/R		392-9033			
44975	C/R		392-9033			
450023	C/R	330-3109	392-9033			
45010	C/R		392-9033			
450155	C/R	330-3106				
450208	C/R	310-1022				
450293	C/R	330-3122				
450358	National	460-6004				
450409	C/R	310-1057				
45066	C/R		392-9094	309-0903	393-0103	393-0203
45069	C/R		392-9094	309-0903	393-0103	393-0203
45070	C/R		392-9094	309-0903	393-0103	393-0203
450741	C/R	330-3025				
450742	C/R	330-3012				
450743	C/R	330-3042				
450744	C/R	330-3056				
450747	C/R	330-3007				
450748	C/R	330-3041				
450749	C/R	330-3028				
450751	C/R	330-3009/3067				
450752	C/R	330-3060				
450755	C/R	330-3024				
450757	C/R	330-3037				
450760	C/R	330-3008				
450762	C/R	330-3062				
450765	C/R	330-3040				
450767	C/R	330-3015				

- When using HM516449A, use 392-9130 set.
- Use 0912 w/ 5.687 bore only; Use 0915 w/ 5.50 bore only.
- Obsolete set, components still available.
- Order kit # 383-8139 for Voyager® and 383-8239 for Discover®.

(Continued Next Page)

Shaded numbers indicate obsolete part numbers, refer to Engineering Changes for more information.

Cross Reference

Information contained in this section is furnished as a guide.
Verify specific application elsewhere in this catalog when possible.

Competitive Part No.	Competitor's Name	STEMCO Misc Products	STEMCO Std/ Grit Guard®	STEMCO Guardian®	STEMCO Voyager®	STEMCO Discover®
450768	C/R	330-3034				
450769	C/R	330-3011				
450775	C/R	330-3013				
450777	C/R	330-3019				
450778	C/R	330-3031				
450781	C/R	330-3097				
450788	C/R	330-3122/3067				
450875	C/R	330-3105				
450876	C/R	330-3106				
450877	C/R	330-3107				
450878	C/R	330-3108				
450879	C/R	330-3109				
45093	C/R PlusXL		392-9094	309-0903	393-0103	393-0203
45095			382-8056	308-0856	383-0156	
45097	C/R		392-9094	309-0903	393-0103	393-0203
45098	C/R		392-9094	309-0903	393-0103	393-0203
450980	C/R	330-3110				
450981	C/R	330-3111				
450982	C/R	330-3112				
450983	C/R	330-3113				
450984	C/R	330-3114				
450985	C/R	330-3115				
45099	C/R Classic		392-9094	309-0903	393-0103	393-0203
45102	C/R		382-8056	308-0856	383-0156	
45103	C/R Classic		382-8056	308-0856	383-0156	
45108	C/R		392-9094	309-0903	393-0103	393-0203
45115	C/R		392-9088	309-0964		
45149	C/R		392-9088	309-0964		
45150	C/R		392-9088	309-0964		
45152	C/R		392-9131	309-0973	393-0173	393-0273
45157	C/R PlusXL		392-9088	309-0964		
45158	C/R		392-9088	309-0964		
45160	C/R Classic		392-9088	309-0964		
45162	C/R		372-7017			
453027C1	Navistar		392-9001			
453644	C/R	330-3122/3067				
453645	C/R	330-3025				
453646	C/R	330-3105				
4543V	National	460-6011				
455001	CR	310-1050				
455004	CR	310-1035				
455011	CR	310-1010				
455014	CR	310-1029				
455019	CR	310-1095				
455022	National		372-7008			
455023	CR	357-5706				
455030	CR	310-1044				
455031	CR	310-1038				
455033	CR	310-1011				
455034	CR	310-1041				
455035	CR	310-1032				
455037	CR	310-1051				
455052	CR	310-1051				
455058	National		392-9112	309-0904	393-0104	393-0204
455060	National		392-9096	309-0965		
455062	National		392-9088	309-0964		

- 1 When using HM516449A, use 392-9130 set.
 2 Use 0912 w/ 5.687 bore only; Use 0915 w/ 5.50 bore only.
 3 Obsolete set, components still available.
 4 Order kit # 383-8139 for Voyager® and 383-8239 for Discover®.

(Continued Next Page)

Shaded numbers indicate obsolete part numbers, refer to Engineering Changes for more information.

Cross Reference

Information contained in this section is furnished as a guide.
Verify specific application elsewhere in this catalog when possible.

Competitive Part No.	Competitor's Name	STEMCO Misc Products	STEMCO Std/ Grit Guard®	STEMCO Guardian®	STEMCO Voyager®	STEMCO Discover®
455068	National		392-9019			
455070	National		392-9007			
455091	National		392-9034			
455137	National		382-8017			
455173	National		392-9036			
455188	National		382-8023			
455188	National		382-8039		383-0139	383-0239
455200	National		392-9033			
455209	National		382-8060			
455211	National		372-7097	307-0743	373-0143	373-0243
455285	National		392-9007			
455355	National		382-8066	308-0866	383-0166	
455513	National		382-8001			
455547	National		392-9010			
455858	National		392-9035	309-0935		
455958	National		392-9099	309-0912/0915	393-0112	393-0212
4563V	National	460-6003				
4564V	National	460-6005				
456618	National		392-9099	309-0912/0915	393-0112	393-0212
456865N	National		392-9007			
45742	Great Dane	330-3009				
45951	Great Dane	320-2110				
45952	Great Dane	315-1504				
46200	CR		392-9094	309-0903	393-0103	393-0203
46211	CR		392-9094	309-0903	393-0103	393-0203
46300	C/R PlusXL		372-7097	307-0743	373-0143	373-0243
46304	C/R		372-7097	307-0743	373-0143	373-0243
46305	C/R Classic		372-7097	307-0743	373-0143	373-0243
46306	C/R		372-7097	307-0743	373-0143	373-0243
46308	C/R LongLife		372-7097	307-0743	373-0143	373-0243
46324	C/R		392-9088	309-0964		
46331	C/R		392-9088	309-0964		
46390	C/R		372-7022			
46390	C/R		372-7099	307-0723	373-0123	373-0223
465510C91	Navistar	320-2164				
46841	Victor		372-7099	307-0723	373-0123	373-0223
469844C1	Navistar		382-8066	308-0866	383-0166	
469845C1	Navistar		392-9036			
47017	Great Dane	347-4009				
47245	C/R		392-9111			
472HH101	Dana	460-6007				
47394	C/R		372-7098	307-0713	373-0113	373-0213
47394	C/R		392-9032			
47483	C/R		392-9066			
47548	Great Dane	343-4195				
47549	Great Dane	343-4009				
47550	Great Dane	343-4075				
47555	Great Dane		372-7099	307-0723	373-0123	373-0223
47556	Great Dane		372-7097	307-0743	373-0113	373-0213
47690	C/R		392-9132	309-0960		
47691/47692	C/R PlusXL		392-9131	309-0973	393-0173	393-0273
47693	C/R LongLife		392-9131	309-0973	393-0173	393-0273
47694	C/R Narrow version of 47695 for ABS					
47695	C/R		392-9131	309-0973	393-0173	393-0273
47696	C/R		392-9131	309-0973	393-0173	393-0273
47697	C/R Classic		392-9131	309-0973	393-0173	393-0273

- When using HM516449A, use 392-9130 set.
- Use 0912 w/ 5.687 bore only; Use 0915 w/ 5.50 bore only.
- Obsolete set, components still available.
- Order kit # 383-8139 for Voyager® and 383-8239 for Discover®.

(Continued Next Page)

Shaded numbers indicate obsolete part numbers, refer to Engineering Changes for more information.

Cross Reference

Information contained in this section is furnished as a guide.
Verify specific application elsewhere in this catalog when possible.

Competitive Part No.	Competitor's Name	STEMCO Misc Products	STEMCO Std/ Grit Guard®	STEMCO Guardian®	STEMCO Voyager®	STEMCO Discover®
47698	C/R	Same as 47697 used for worn hubs or oversize seal bore				
47699	C/R		392-9087	309-0970		
47802	Victor		392-9096	309-0965		
47803	Victor		392-9132	309-0960		
48000	C/R Classic		392-9132	309-0960		
48001	C/R		392-9132	309-0960		
48001	C/R		392-9081			
48002	C/R PlusXL		392-9081	309-0960		
48086	Victor		372-7097	307-0743	373-0143	373-0243
48088	Victor		372-7098	307-0713	373-0113	373-0213
48089	Victor		392-9131	309-0973	393-0173	393-0273
48090	Victor		382-8036	308-0836	383-0136	383-0236
48091	Victor		392-9099	309-0912/0915	393-0112	393-0212
48093	Victor		392-9088	309-0964		
48095	Victor		392-9094	309-0903	393-0103	393-0203
48096	Victor		392-9035	309-0935		
48097	Victor		382-8056	308-0856	383-0156	
48098	Victor		392-9112	309-0904	393-0104	393-0204
48297	C/R		372-7025			
48297	C/R		392-9021			
48297	C/R		392-9046			
48298	C/R	320-2001 w/310-1021				
48690	C/R Classic		392-9034		393-0134	
48691	C/R		392-9034		393-0134	
48693	C/R		392-9034		393-0134	
48700	C/R		392-9034		393-0134	
48701	C/R		392-9034		393-0134	
4874N	National	460-6004				
48769	CR		392-9019			
48776	CR		392-9019			
48792	CR		392-9019			
48794	CR		382-8028			
48796	CR		382-8045			
48844	CR		392-9001			
48882	CR		392-9132	309-0960		
48883	CR		382-8028			
48884	CR		392-9001			
48884	CR		392-9062			
48886	CR		382-8045			
49050	CR		392-9131	309-0973	393-0173	393-0273
490577C92	Navistar		382-8056	308-0856	383-0156	
490578C91	Navistar	320-2181				
49966	CR		392-9007			
500200C91	Navistar	320-2199				
5010196	Trailmobile	320-2110				
5010198	Trailmobile	315-1504				
50124	CR		392-9007			
50148	CR	320-2001				
50150	CR	320-2001				
504081	CR		392-9094	309-0903	393-0103	393-0203
506085	Eaton	343-4024				
506089	Eaton	343-4249				
506161	Eaton	330-3024				
50640	CR		392-9131	309-0973	393-0173	393-0273
506635	Eaton	310-1048				
506775	Eaton		382-8064	308-0864	383-0164	383-0264

- 1 When using HM516449A, use 392-9130 set.
 2 Use 0912 w/ 5.687 bore only; Use 0915 w/ 5.50 bore only.
 3 Obsolete set, components still available.
 4 Order kit # 383-8139 for Voyager® and 383-8239 for Discover®.

(Continued Next Page)

Shaded numbers indicate obsolete part numbers, refer to Engineering Changes for more information.

Cross Reference

Information contained in this section is furnished as a guide.
Verify specific application elsewhere in this catalog when possible.

Competitive Part No.	Competitor's Name	STEMCO Misc Products	STEMCO Std/ Grit Guard®	STEMCO Guardian®	STEMCO Voyager®	STEMCO Discover®
5076	CR		392-9018			
507842C91	Navistar	320-2199				
507844C91	Navistar	320-2164				
509053	CR		382-8017			
509154C91	Navistar		382-8045			
510589C91	Navistar	343-4049				
510589C93	Navistar	343-4101				
512656C1	Navistar	310-1048				
512657C1	Navistar	320-2110				
5141050	GMC/Volvo		382-8017			
521162	CR		382-8052			
52658	CR		392-9089	309-0948	393-0148	
52660	CR		392-9089	309-0948	393-0148	
52664	CR		392-9089	309-0948	393-0148	
527501	White		382-8010			
527502	White		382-8035			
527503	White		382-8034			
530088	Fruehauf	448-4836				
530480	Fruehauf		372-7099	307-0723	373-0123	373-0223
54395	CR		392-9001			
54533HA	Navistar		392-9036			
5465	National		392-9057	309-0957		
5471	National		372-7025			
5471	National		392-9021			
5471	National		392-9046			
5473	National		392-9001			
547915C91	Navistar		392-9099	309-0912/0915	393-0112	393-0212
5481	National		372-7025			
5481	National		392-9131	309-0973	393-0173	393-0273
548347C91	Navistar		392-9131	309-0973	393-0173	393-0273
548347C92	Navistar		392-9131	309-0973	393-0173	393-0273
54935	C/R		392-9001			
5495	National		392-9087	309-0970		
55122	C/R					
55172	C/R					
55175	C/R		392-9053			
55177	C/R		392-9053			
56153R91	Navistar		392-9021			
562932C1	Navistar		382-8028			
5667	National		392-9099	309-0915		
5751	National		392-9038			
578913C1	Navistar	320-2041				
58394	Eaton		392-9088	309-0964		
587989C91	Navistar		382-8056	308-0856	383-0156	
589822C91	Navistar		382-8053	308-0853	383-0153	
591587C1	Navistar		382-8056	308-0855		
594962C1	Navistar		392-9131	309-0973	393-0173	393-0273
594963C1	Navistar		392-9099	309-0912/0915	393-0112	393-0212
594964C1	Navistar		382-8064	308-0864	383-0164	383-0264
594965C1	Navistar		382-8066	308-0866	383-0166	
594966C1	Navistar		382-8053	308-0853	383-0153	
596555C1	Navistar		382-8036	308-0836	383-0136	383-0236
596556C1	Navistar		392-9001			
60501012	Trailmobile		372-7097	307-0743	373-0143	373-0243
61001G	TriSeal	330-3001				
61002G	TriSeal	330-3019				

- When using HM516449A, use 392-9130 set.
- Use 0912 w/ 5.687 bore only; Use 0915 w/ 5.50 bore only.
- Obsolete set, components still available.
- Order kit # 383-8139 for Voyager® and 383-8239 for Discover®.

(Continued Next Page)

Shaded numbers indicate obsolete part numbers, refer to Engineering Changes for more information.

Cross Reference

Information contained in this section is furnished as a guide.
Verify specific application elsewhere in this catalog when possible.

Competitive Part No.	Competitor's Name	STEMCO Misc Products	STEMCO Std/ Grit Guard®	STEMCO Guardian®	STEMCO Voyager®	STEMCO Discover®
61006G	TriSeal	330-3006				
61009G	TriSeal	330-3009				
61011G	TriSeal	330-3011				
61012G	TriSeal	330-3012				
61014G	TriSeal	330-3014				
61015G	TriSeal	330-3015				
61017G	TriSeal	330-3017				
61018G	TriSeal	330-3018				
61022G	TriSeal	330-3022				
61024G	TriSeal	330-3024				
61025G	TriSeal	330-3025				
61026G	TriSeal	330-3026				
61027G	TriSeal	330-3102				
61028G	TriSeal	330-3028				
61031G	TriSeal	330-3031				
61032G	TriSeal	330-3032				
61034G	TriSeal	330-3034				
61036G	TriSeal	330-3036				
61037G	TriSeal	330-3037				
61039G	TriSeal	330-3039				
61040G	TriSeal	330-3040				
61041G	TriSeal	330-3041				
61042G	TriSeal	330-3042				
61044G	TriSeal	330-3044				
61045G	TriSeal	330-3045				
61046G	TriSeal	330-3046				
61047G	TriSeal	330-3047				
61054G	TriSeal	330-3054				
61056G	TriSeal	330-3056				
61060G	TriSeal	330-3060				
61062G	TriSeal	330-3062				
61066G	TriSeal	330-3066				
61067G	TriSeal	330-3067				
61076G	TriSeal	330-3076				
61077G	TriSeal	330-3077				
61079G	TriSeal	330-3079				
61080G	TriSeal	330-3080				
61090G	TriSeal	330-3090				
61094G	TriSeal	330-3094				
61105G	TriSeal	330-3105				
61106G	TriSeal	330-3106				
61107G	TriSeal	330-3107				
61108G	TriSeal	330-3108				
61109G	TriSeal	330-3109				
61111G	TriSeal	330-3111				
61112G	TriSeal	330-3112				
61113G	TriSeal	330-3113				
61114G	TriSeal	330-3114				
62001	TriSeal	355-5501				
62002	TriSeal	355-5502				
62003	TriSeal	355-5503				
62005	TriSeal	355-5505				
62006	TriSeal	355-5506				
62007	TriSeal	355-5507				
62010	TriSeal	355-5510				
62016	TriSeal	355-5516				

- 1 When using HM516449A, use 392-9130 set.
- 2 Use 0912 w/ 5.687 bore only; Use 0915 w/ 5.50 bore only.
- 3 Obsolete set, components still available.
- 4 Order kit # 383-8139 for Voyager® and 383-8239 for Discover®.

(Continued Next Page)

Shaded numbers indicate obsolete part numbers, refer to Engineering Changes for more information.

Cross Reference

Information contained in this section is furnished as a guide.
Verify specific application elsewhere in this catalog when possible.

Competitive Part No.	Competitor's Name	STEMCO Misc Products	STEMCO Std/ Grit Guard®	STEMCO Guardian®	STEMCO Voyager®	STEMCO Discover®
6270	National		372-7018			
6270	National		382-8029			
6270	National		392-9018			
63003	TriSeal	310-1003				
63005	TriSeal	310-1005				
63006	TriSeal	310-1006				
63007	TriSeal	310-1007				
63008	TriSeal	310-1008				
63009	TriSeal	310-1009				
63010	TriSeal	310-1010				
63011	TriSeal	310-1011				
63012	TriSeal	310-1012				
63013	TriSeal	310-1013				
63014	TriSeal	310-1014				
63017	TriSeal	310-1017				
63018	TriSeal	310-1018				
63021	TriSeal	310-1021				
63026	TriSeal	310-1026				
63028	TriSeal	310-1028				
63029	TriSeal	310-1029				
63032	TriSeal	310-1032				
63034	TriSeal	310-1034				
63035	TriSeal	310-1035				
63037	TriSeal	310-1037				
63038	TriSeal	310-1038				
63041	TriSeal	310-1041				
63043	TriSeal	310-1043				
63044	TriSeal		310-1044			
63047	TriSeal		310-1047			
63050	TriSeal		310-1050			
63051	TriSeal		310-1051			
63052	TriSeal		310-1052			
63053	TriSeal		310-1053			
63054	TriSeal		310-1054			
63057	TriSeal		310-1057			
63062	TriSeal		310-1062			
63063	TriSeal		310-1063			
63064	TriSeal		310-1064			
63079	TriSeal		310-1079			
63080	TriSeal		310-1080			
63083	TriSeal		310-1083			
63088	TriSeal		310-1088			
63091	TriSeal		310-1091			
63092	TriSeal		310-1092			
63093	TriSeal		310-1093			
63095	TriSeal		310-1095			
63H13	Crane		343-4264			
63H16	Crane		343-4095			
63H7	Crane		343-4009			
64002	TriSeal		343-4019			
64006	TriSeal		343-4006			
64009	TriSeal		343-4009			
64009H	TriSeal		347-4009			
64012	TriSeal		343-4012			
64013	TriSeal		343-4013			
64014	TriSeal		340-4014			

- When using HM516449A, use 392-9130 set.
- Use 0912 w/ 5.687 bore only; Use 0915 w/ 5.50 bore only.
- Obsolete set, components still available.
- Order kit # 383-8139 for Voyager® and 383-8239 for Discover®.

(Continued Next Page)

Shaded numbers indicate obsolete part numbers, refer to Engineering Changes for more information.

Cross Reference

Information contained in this section is furnished as a guide.
Verify specific application elsewhere in this catalog when possible.

Competitive Part No.	Competitor's Name	STEMCO Misc Products	STEMCO Std/ Grit Guard®	STEMCO Guardian®	STEMCO Voyager®	STEMCO Discover®
64018	TriSeal		343-4018			
64024	TriSeal		343-4024			
64025	TriSeal		343-4025			
64028	TriSeal		343-4028			
64029	TriSeal		343-4186			
64034	TriSeal		343-4034			
64042	TriSeal		343-4042			
64046	TriSeal		343-4046			
64046	TriSeal		343-4095			
64046	TriSeal		343-4249			
64049	TriSeal		343-4049			
64059	TriSeal		343-4059			
64065	TriSeal		343-4065			
64066	TriSeal		343-4066			
64075A	TriSeal		343-4075			
64075G	TriSeal		342-4075			
64075P	TriSeal		340-4975			
64092	TriSeal		343-4092			
64098	TriSeal		343-4098			
64249	TriSeal		343-4249			
64656	Eaton		460-6006			
64999	TriSeal		359-5990			
65000U	TriSeal			382-8053	308-0853	383-0153
65000W	TriSeal			382-8052		
65000W	TriSeal			382-8053	308-0853	383-0153
65005	TriSeal			382-8009		
65011W	TriSeal			392-9035	309-0935	
65011W	TriSeal		392-9036			
65016	TriSeal		382-8017			
65024U	TriSeal		392-9099	309-0915		
65027	TriSeal		392-9045			
65027U	TriSeal		392-9045			
65028	TriSeal		372-7025			
65028	TriSeal		392-9046			
65030U	TriSeal		392-9089	309-0948	393-0148	
65030W	TriSeal		392-9089	309-0948	393-0148	
65044	TriSeal		392-9007			
65052W	TriSeal		392-9099	309-0912/0915	393-0112	393-0212
65054W	TriSeal		392-9057	309-0957		
65055W	TriSeal		382-8044			
65056U	TriSeal		392-9131	309-0973	393-0173	393-0273
65056W	TriSeal		392-9131	309-0973	393-0173	393-0273
65060U	TriSeal		372-7097	307-0743	373-0143	373-0243
65060W	TriSeal		372-7097	307-0743	373-0143	373-0243
65065W	TriSeal		392-9020			
65065W	TriSeal		392-9132	309-0960		
65069	TriSeal		382-8027			
65070	TriSeal		392-9054			
65071U	TriSeal		392-9112	309-0904	393-0104	393-0204
65071U	TriSeal		392-9130	309-0904	393-0104	393-0204
65071W	TriSeal		392-9112	309-0904	393-0104	393-0204
65072W	TriSeal		392-9088	309-0964		
65073W	TriSeal		372-7005			
65073W	TriSeal		372-7006			
65073W	TriSeal		372-7008			
65073W	TriSeal		372-7056			

1 When using HM516449A, use 392-9130 set.

2 Use 0912 w/ 5.687 bore only; Use 0915 w/ 5.50 bore only.

3 Obsolete set, components still available.

4 Order kit # 383-8139 for Voyager® and 383-8239 for Discover®.

(Continued Next Page)

Shaded numbers indicate obsolete part numbers, refer to Engineering Changes for more information.

Cross Reference

Information contained in this section is furnished as a guide.
Verify specific application elsewhere in this catalog when possible.

Competitive Part No.	Competitor's Name	STEMCO Misc Products	STEMCO Std/ Grit Guard®	STEMCO Guardian®	STEMCO Voyager®	STEMCO Discover®
65073W	TriSeal		382-8011			
65078U	TriSeal		382-8056	308-0856	383-0156	
65078W	TriSeal		382-8056	308-0856	383-0156	
65084W	TriSeal		392-9088	309-0964		
65092U	TriSeal		382-8064	308-0864	383-0164	383-0264
65092W	TriSeal		382-8064	308-0864	383-0164	383-0264
65111U	TriSeal		392-9035	309-0935		
65116U	TriSeal		382-8017			
65120U	TriSeal					
65152U	TriSeal		392-9099	309-0912/0915	393-0112	393-0212
65156U	TriSeal		392-9131	309-0973	393-0173	393-0273
65165U	TriSeal		392-9081	309-0960		
65165U	TriSeal		392-9132	309-0960		
65172U	TriSeal		392-9088	309-0964		
65184U	TriSeal		392-9096	309-0965		
65261U	TriSeal		372-7098	307-0713	373-0113	373-0213
65261W	TriSeal		372-7003			
65261W	TriSeal		372-7098	307-0713	373-0113	373-0213
65262U	TriSeal		372-7099	307-0723	373-0123	373-0223
65262W	TriSeal		372-7022			
65262W	TriSeal		372-7099	307-0723	373-0123	373-0223
65262W	TriSeal		382-8060			
65263U	TriSeal		382-8036	308-0836	383-0136	383-0236
65263W	TriSeal		382-8036	308-0836	383-0136	383-0236
65267	TriSeal		382-8029			
65267	TriSeal		392-9018			
65269W	TriSeal		392-9001			
65269W	TriSeal					
65270U	TriSeal		392-9094	309-0903	393-0103	393-0203
65270W	TriSeal		392-9094	309-0903	393-0103	393-0203
65271W	TriSeal		372-7026			
65271W	TriSeal		372-7027			
65271W	TriSeal		372-7028			
65271W	TriSeal		372-7091		373-0191	
65272W	TriSeal		392-9094	309-0903	393-0103	393-0203
65275	TriSeal		392-9010			
65276	TriSeal		392-9099	309-0912/0915	393-0112	393-0212
65277W	TriSeal		392-9095	309-0961		
65280	TriSeal		372-7046			
65280	TriSeal		382-8018			
65283U	TriSeal		392-9087	309-0970		
65283W	TriSeal		392-9087	309-0970		
65285W	TriSeal		392-9092	309-0965		
65287W	TriSeal		382-8028			
65287W	TriSeal		392-9043			
65289	TriSeal		382-8032			
65291U	TriSeal		382-8034			
65291W	TriSeal		382-8034			
65292	TriSeal		382-8035			
65293	TriSeal		382-8010			
65294	TriSeal		382-8023			
65294	TriSeal		382-8039			
65294U	TriSeal		382-8023			
65294U	TriSeal		382-8039		383-0139	383-0239
65297W	TriSeal		392-9054			
65298U	TriSeal		372-7095	307-0744	373-0144	

- When using HM516449A, use 392-9130 set.
- Use 0912 w/ 5.687 bore only; Use 0915 w/ 5.50 bore only.
- Obsolete set, components still available.
- Order kit # 383-8139 for Voyager® and 383-8239 for Discover®.

(Continued Next Page)

Shaded numbers indicate obsolete part numbers, refer to Engineering Changes for more information.

Cross Reference

Information contained in this section is furnished as a guide.
Verify specific application elsewhere in this catalog when possible.

Competitive Part No.	Competitor's Name	STEMCO Misc Products	STEMCO Std/ Grit Guard®	STEMCO Guardian®	STEMCO Voyager®	STEMCO Discover®
65298W	TriSeal		372-7095	307-0744	373-0144	
65299	TriSeal		372-7004			
65299	TriSeal		372-7015			
65299	TriSeal		372-7017			
65299	TriSeal		382-8045			
657810	GMC/Volvo		392-9057	309-0957		
6584S	National		382-8017			
663043R91	Navistar		392-9010			
663477	GMC/Volvo		382-8017			
663484	GMC/Volvo		382-8018 ¹			
6635S	National		392-9095	309-0961		
6638S	National		382-8036	308-0836	383-0136	383-0236
67003	TriSeal	357-5706				
67006	TriSeal	356-5606				
67007	TriSeal	364-6402				
67008	TriSeal	364-6435				
67009	TriSeal	310-1103				
67013	TriSeal	310-1013				
67014	TriSeal	310-1114				
67023	TriSeal	310-1023				
67036	TriSeal	310-1036				
67038	TriSeal	310-1038				
67048	TriSeal	310-1048				
67067	TriSeal	310-1067				
67090	TriSeal	310-1111				
67093	TriSeal	310-1093				
67094	TriSeal	310-1111				
674237	GMC/Volvo		382-8028			
675711	White		392-9088	309-0964		
6780S	National		382-8018			
68013	TriSeal	315-1507				
68023	TriSeal	315-1503				
680272R92	Navistar	343-4046				
680272R92	Navistar	343-4249				
680299R1	Navistar	310-1028				
680299R91	Navistar		382-8028			
6804010425	Freightliner	343-4281				
68048	TriSeal	315-1504				
68088	TriSeal	315-1515				
68093	TriSeal	315-1517				
68094	TriSeal	315-1502				
6809970049	Freightliner	330-3040				
681277	White		392-9095	309-0961		
681365R2	Navistar	310-1079				
6814010225	Freightliner	343-4095				
6819970046	Mercedes		392-9099	309-0912/0915	393-0112	393-0212
6819970046	Freightliner		392-9099	309-0912/0915	393-0112	393-0212
6819970446	Freightliner		382-8036	308-0836	383-0136	383-0236
6819970546	Freightliner		392-9131	309-0973	393-0173	393-0273
682809	GMC/Volvo		382-8010			
683590	GMC/Volvo		392-9018			
683591	GMC/Volvo		392-9057	309-0957		
68380	Eaton		392-9096	309-0965		
685215	GMC/Volvo	320-2106				
685216	GMC/Volvo	320-2106				
68537R1	Navistar		392-9021			

- ¹ When using HM516449A, use 392-9130 set.
² Use 0912 w/ 5.687 bore only; Use 0915 w/ 5.50 bore only.
³ Obsolete set, components still available.
⁴ Order kit # 383-8139 for Voyager® and 383-8239 for Discover®.

(Continued Next Page)

Shaded numbers indicate obsolete part numbers, refer to Engineering Changes for more information.

Cross Reference

Information contained in this section is furnished as a guide.
Verify specific application elsewhere in this catalog when possible.

Competitive Part No.	Competitor's Name	STEMCO Misc Products	STEMCO Std/ Grit Guard®	STEMCO Guardian®	STEMCO Voyager®	STEMCO Discover®
68537R91	Navistar		392-9021			
686059	GMC/Volvo	343-4066				
6864S	National		392-9057	309-0957		
686996	GMC/Volvo	320-2216				
6872S	National		392-9021			
6872S	National		392-9131	309-0973	393-0173	393-0273
6873S	National		392-9001			
688316	GMC/Volvo	320-2091				
688319	GMC/Volvo	320-2091				
69307R91	Navistar		392-9035	309-0935		
69502	TriSeal	320-2041	372-7004			
69507	TriSeal		372-7009			
69510	TriSeal		372-7098	307-0713	373-0113	373-0213
69512	TriSeal		372-7015			
69514	TriSeal		372-7017			
69517	TriSeal		372-7020			
69520	TriSeal		372-7099	307-0723	373-0123	373-0223
69522	TriSeal		372-7025			
69523	TriSeal		372-7026			
69524	TriSeal		372-7027			
69538	TriSeal		372-7028			
69539	TriSeal		372-7049			
69541	TriSeal		372-7091		373-0191	
69589	TriSeal		372-7005			
69590	TriSeal		372-7006			
69591	TriSeal		372-7008			
69593	TriSeal		372-7003			
69594	TriSeal		372-7022			
69596	TriSeal		372-7099	307-0723	373-0123	373-0223
69597	TriSeal		372-7098	307-0713	373-0113	373-0213
69598	TriSeal		372-7097	307-0743	373-0143	373-0243
69599	TriSeal		372-7095	307-0744	373-0144	
69603	TriSeal		382-8009			
69604	TriSeal		382-8010			
69611	TriSeal		382-8017			
69612	TriSeal		382-8018			
69616	TriSeal		382-8023			
69622	TriSeal		382-8032			
69625	TriSeal		382-8035			
69628	TriSeal		382-8039		383-0139	383-0239
69636	TriSeal		382-8027			
69640	TriSeal		382-8045			
69642	TriSeal		382-8063	308-0863		
69644	TriSeal		382-8062			
69645	TriSeal		382-8066	308-0866	383-0166	
69689	TriSeal		382-8011			
69690	TriSeal		382-8028			
69691	TriSeal		382-8052			
69692	TriSeal		382-8053	308-0853	383-0153	
69693	TriSeal		382-8034			
69695	TriSeal		382-8044			
69696	TriSeal		382-8056	308-0856	383-0156	
69697	TriSeal		382-8064	308-0864	383-0164	383-0264
69698	TriSeal		382-8060			
69699	TriSeal		382-8036	308-0836	383-0136	383-0236
69705	TriSeal		392-9010			

- When using HM516449A, use 392-9130 set.
- Use 0912 w/ 5.687 bore only; Use 0915 w/ 5.50 bore only.
- Obsolete set, components still available.
- Order kit # 383-8139 for Voyager® and 383-8239 for Discover®.

(Continued Next Page)

Shaded numbers indicate obsolete part numbers, refer to Engineering Changes for more information.

Cross Reference

Information contained in this section is furnished as a guide.
Verify specific application elsewhere in this catalog when possible.

Competitive Part No.	Competitor's Name	STEMCO Misc Products	STEMCO Std/ Grit Guard®	STEMCO Guardian®	STEMCO Voyager®	STEMCO Discover®
69706	TriSeal		392-9099	309-0912/0915	393-0112	393-0212
69711	TriSeal		392-9018			
69730	TriSeal		392-9038			
69743	TriSeal		392-9045			
69750	TriSeal		392-9007			
69751	TriSeal		392-9020			
69753	TriSeal		392-9054			
69759	TriSeal		392-9062			
69780	TriSeal		392-9019			
69781	TriSeal		392-9089	309-0948	393-0148	
69782	TriSeal		392-9062			
69783	TriSeal		392-9001			
69784	TriSeal		392-9043			
69785	TriSeal		392-9035	309-0935		
69786	TriSeal		392-9036			
69787	TriSeal		392-9057	309-0957		
69788	TriSeal		392-9112	309-0904	393-0104	393-0204
69789	TriSeal		392-9087	309-0970		
69790	TriSeal		392-9032			
69791	TriSeal		392-9088	309-0964		
69792	TriSeal		392-9092	309-0965		
69794	TriSeal		392-9099	309-0912/0915	393-0112	393-0212
69795	TriSeal		392-9095	309-0961		
69797	TriSeal		392-9096	309-0965		
69798	TriSeal		392-9132	309-0960		
69799	TriSeal		392-9131	309-0973	393-0173	393-0273
698764R1	Navistar		372-7098	307-0713	373-0113	373-0213
7001260OE	Trailmobile	343-4009				
700126CD	Trailmobile	343-4013				
7003942	Western Star	343-4249				
7006S	National		392-9087	309-0970		
701661	GMC/Volvo	315-1502				
701679	GMC/Volvo	320-2115				
7023479	Meritor	343-4095				
705400P	Mechanex/Barrier		382-8036	308-0836	383-0136	383-0236
70541	TriSeal		372-7091		373-0191	
70596	TriSeal		372-7099	307-0723	373-0123	373-0223
70597	TriSeal		372-7098	307-0713	373-0113	373-0213
70598	TriSeal		372-7097	307-0743	373-0143	373-0243
70599	TriSeal		372-7095	307-0744	373-0144	
7074450	Western Star	320-2106				
70781	TriSeal		392-9089	309-0948	393-0148	
70788	TriSeal		392-9112	309-0904	393-0104	393-0204
70789	TriSeal		392-9087	309-0970		
70791	TriSeal		392-9088	309-0964		
70794	TriSeal		392-9099	309-0912/0915	393-0112	393-0212
70796	TriSeal		392-9094	309-0903	393-0103	393-0203
70797	TriSeal		392-9096	309-0965		
70798	TriSeal		392-9132	309-0960		
70799	TriSeal		392-9131	309-0973	393-0173	393-0273
710356	GMC/Volvo		382-8017			
710536	GMC/Volvo		382-8017			
712832	GMC/Volvo	382-8034				
712834	GMC/Volvo		392-9099	309-0912/0915	393-0112	393-0212
719021	C/R	330-3077				
720659	GMC/Volvo		372-7097	307-0743	373-0143	373-0243

- 1 When using HM516449A, use 392-9130 set.
 2 Use 0912 w/ 5.687 bore only; Use 0915 w/ 5.50 bore only.
 3 Obsolete set, components still available.
 4 Order kit # 383-8139 for Voyager® and 383-8239 for Discover®.

(Continued Next Page)

Shaded numbers indicate obsolete part numbers, refer to Engineering Changes for more information.

Cross Reference

Information contained in this section is furnished as a guide.
Verify specific application elsewhere in this catalog when possible.

Competitive Part No.	Competitor's Name	STEMCO Misc Products	STEMCO Std/ Grit Guard®	STEMCO Guardian®	STEMCO Voyager®	STEMCO Discover®
730001	National	330-3028				
730003	National	330-3025				
730003	National	330-3035				
730004	National	330-3024				
730005	National	330-3008				
730006	National	330-3046				
730008	National	330-3040				
730009	National	330-3019				
730016	National	330-3041				
730017	National	330-3044				
730018	National	330-3006				
730019	National	330-3031				
730022	National	330-3011				
730024	National	330-3060				
730026	National	330-3012				
730027	National	330-3034				
730030	National	330-3056				
730031	National	330-3037				
730149	National	330-3097				
733067	National	330-3009/3067				
733105	National	330-3105				
733106	National	330-3106				
733107	National	330-3107				
733108	National	330-3108				
733109	National	330-3109				
733110	National	330-3110				
733111	National	330-3111				
733112	National	330-3112				
733113	National	330-3113				
733114	National	330-3114				
733115	National	330-3115				
7378	National		392-9087	309-0970		
741147	GMC/Volvo		392-9032			
745400P	Mechanex/Barrier		372-7099	307-0723	373-0123	373-0223
747400P	Mechanex/Barrier		372-7098	307-0713	373-0113	373-0213
747400P	Mechanex/Barrier		392-9032			
749400P	Mechanex/Barrier		372-7095	307-0744	373-0144	
755400P	Mechanex/Barrier		372-7097	307-0743	373-0143	373-0243
761400P	Mechanex/Barrier		392-9131	309-0973	393-0173	393-0273
770400P	Mechanex/Barrier		392-9099	309-0912/0915	393-0112	393-0212
771723C91	Navistar		392-9088	309-0964		
775698C91	Navistar		392-9131	309-0973	393-0173	393-0273
780055C91	Navistar	320-2092				
780316C91	Navistar		382-8053	308-0853	383-0153	
781265C91	Navistar	343-4249				
781565C92	Navistar	343-4250				
785400P	Mechanex/Barrier		392-9094	309-0903	393-0103	393-0203
7866S	National		382-8028			
7866S	National		392-9043			
794408C91	Navistar		382-8064	308-0864	383-0164	383-0264
79470	Eaton	460-6002				
7EQ1175A	Ford		392-9018			
7EQH1175	Ford		392-9099	309-0912/0915	393-0112	393-0212
8061231	GMC/Volvo	330-3009				
8069924	GMC/Volvo	343-4024				
806994	GMC/Volvo	343-4024				

- When using HM516449A, use 392-9130 set.
- Use 0912 w/ 5.687 bore only; Use 0915 w/ 5.50 bore only.
- Obsolete set, components still available.
- Order kit # 383-8139 for Voyager® and 383-8239 for Discover®.

(Continued Next Page)

Shaded numbers indicate obsolete part numbers, refer to Engineering Changes for more information.

Cross Reference

Information contained in this section is furnished as a guide.
Verify specific application elsewhere in this catalog when possible.

Competitive Part No.	Competitor's Name	STEMCO Misc Products	STEMCO Std/ Grit Guard®	STEMCO Guardian®	STEMCO Voyager®	STEMCO Discover®
810196	Eaton	320-2137				
810197	Eaton	310-1037				
812928	Eaton	343-4095				
815214	Eaton	343-4195				
815215	Eaton		372-7099	307-0723	373-0123	373-0223
815312	Eaton	330-3106				
815996	Eaton	343-4264				
81774	C/R	310-1111				
820394	Eaton	447-4743				
820395	Eaton	447-4743				
821187	Eaton	340-5098				
821338	Eaton	343-4009				
821345	Eaton	310-1036				
821346	Eaton	320-2036				
821601	Eaton		372-7097	307-0743	373-0143	373-0243
821604	Eaton	315-1504				
821610	Eaton	320-2110				
821615	Eaton	340-4119				
821907	Eaton	343-4009				
847	NOK		382-8036	308-0836	383-0136	383-0236
848	NOK		392-9099	309-0915	393-0115	
849	NOK		392-9099	309-0912/0915	393-0112	393-0212
850	NOK		372-7098	307-0713	373-0113	373-0213
851	NOK		372-7099	307-0723	373-0123	373-0223
852	NOK		392-9112	309-0904	393-0104	393-0204
853	NOK		372-7095	307-0744	373-0144	
854	NOK		392-9092	309-0965		
854945	GMC/Volvo	460-6005				
855	NOK		382-8053	308-0853	383-0153	
856	NOK		392-9094	309-0903	393-0103	393-0203
857	NOK		382-8056	308-0856	383-0156	
858	NOK		392-9088	309-0964		
858381	GMC/Volvo	343-4024				
858381	Western Star	343-4024				
859	NOK		372-7097	307-0743	373-0143	373-0243
860	NOK		392-9132	309-0960		
861	NOK		392-9131	309-0973	393-0173	393-0273
86109	Trailmobile	347-4009				
862500	GMC/Volvo	343-4009				
862500	Western Star	343-4009				
862501	Western Star	330-3009/3067				
862739C91	Navistar		392-9036			
862935C1	Navistar	310-1063				
863	NOK		382-8064	308-0864	383-0164	383-0264
864643C91	Navistar		392-9099	309-0912/0915		
864643C92	Navistar		392-9099	309-0912/0915		
864784C91	Navistar		392-9099	309-0912/0915		
8668	Trailmobile	340/343-4009				
868861R1	Navistar	330-3024				
870485C91	Navistar		392-9088	309-0964		
870889C91	Navistar		382-8064	308-0864	383-0164	383-0264
870890C91	Navistar		382-8064	308-0864	383-0164	383-0264
8720	Trailmobile	330-3009				
875188R2	Navistar		392-9099	309-0912/0915		
876235R91	Navistar		382-8029			
88319	NOK			309-0973	393-0173	393-0273

- When using HM516449A, use 392-9130 set.
 ■ Use 0912 w/ 5.687 bore only; Use 0915 w/ 5.50 bore only.
 ■ Obsolete set, components still available.
 ■ Order kit # 383-8139 for Voyager® and 383-8239 for Discover®.

(Continued Next Page)

Shaded numbers indicate obsolete part numbers, refer to Engineering Changes for more information.

Cross Reference

Information contained in this section is furnished as a guide.
Verify specific application elsewhere in this catalog when possible.

Competitive Part No.	Competitor's Name	STEMCO Misc Products	STEMCO Std/ Grit Guard®	STEMCO Guardian®	STEMCO Voyager®	STEMCO Discover®
88327 8872	Eaton National		392-9062 382-8064	308-0864	383-0164	383-0264
8873095 8873424 889246	GMC/Volvo GMC/Volvo White	460-6006 310-1014 460-6007				
88AX110 88AX110 88AX177	Mack Mack Mack		382-8023 382-8039 392-9094	309-0903	383-0139 393-0103	383-0239 393-0203
88AX305 88AX305 88AX354P2	Mack Mack Mack	429-0009	382-8023 382-8039		383-0139	383-0239
88AX372 88AX374 88AX375	Mack Mack Mack		392-9098 392-9007 392-9089	309-0948	393-0148	
88AX376 88AX378 88AX382	Mack Mack Mack		392-9089 392-9007 392-9089	309-0948	393-0148	
88AX402 88AX403 88AX404	Mack Mack Mack		392-9089 392-9089 392-9089	309-0948	393-0148	
88AX405 88AX407 88AX418	Mack Mack Mack		392-9112 392-9094 392-9112	309-0904 309-0903 309-0904	393-0104 393-0103 393-0104	393-0204 393-0203 393-0204
88AX420 88AX421 88AX424	Mack Mack Mack		392-9131 392-9094 392-9089	309-0973 309-0903 309-0948	393-0173 393-0103 393-0148	393-0273 393-0203
88AX427 88AX432 88AX443	Mack Mack Mack	320-2009	392-9096 392-9081	309-0965 309-0960		
88AX448 88AX450 88AX456	Mack Mack Mack	429-0008	392-9112 392-9132	309-0904 309-0960	393-0104	393-0204
88AX457 88AX458 88AX461	Mack Mack Mack	429-0009 429-0002				
88AX466 88AX467 88AX469	Mack Mack Mack		392-9131 392-9112 392-9094 382-8064	309-0973 309-0904 309-0903 308-0864	393-0173 393-0104 393-0103 383-0164	393-0273 393-0204 393-0203 383-0264
88AX59 88AX59P3 88AX65	Mack Mack Mack		392-9032 392-9032 392-9007			
88AX70 88AX72 88AX97	Mack Mack Mack		382-8011 392-9019 382-8011			
88AZ110 88AZ110P1 891016	Mack Mack Western Star	320-2039 320-2001	382-8039		383-0139	383-0239
896941R91 8976S 898235R92	Navistar National Navistar	320-2114	382-8064 382-8009	308-0864	383-0164	383-0264
898235R93 900868 9015S	Navistar Trailmobile National	343-4075	392-9096 392-9131	309-0965 309-0973	383-0164 393-0173	383-0264 393-0273
9022299832 9022299868 90501017	Heil Heil Trailmobile	343-4075	372-7099 372-7097	307-0723 307-0743	373-0123 373-0143	373-0223 373-0243

- When using HM516449A, use 392-9130 set.
- Use 0912 w/ 5.687 bore only; Use 0915 w/ 5.50 bore only.
- Obsolete set, components still available.
- Order kit # 383-8139 for Voyager® and 383-8239 for Discover®.

(Continued Next Page)

Shaded numbers indicate obsolete part numbers, refer to Engineering Changes for more information.

Cross Reference

Information contained in this section is furnished as a guide.
Verify specific application elsewhere in this catalog when possible.

Competitive Part No.	Competitor's Name	STEMCO Misc Products	STEMCO Std/ Grit Guard®	STEMCO Guardian®	STEMCO Voyager®	STEMCO Discover®
90501018	Trailmobile	320-2023				
90501019	Trailmobile	315-1503				
9128S	National		392-9045			
9156004	GMC/Volvo	310-1010				
921010001	Western Star	330-3097				
921010002	GMC/Volvo	343-4024				
921010003	GMC/Volvo	343-4046				
921010005	GMC/Volvo	343-4042				
921010006	GMC/Volvo	343-4042				
921010007	GMC/Volvo	343-4042				
921010008	GMC/Volvo	343-4042				
921010009	GMC/Volvo	340/343-4009				
921010024	GMC/Volvo	340-4119				
921010034	GMC/Volvo	343-4095				
921010043	GMC/Volvo	343-4281				
921015015	GMC/Volvo	343-4009				
921020001	GMC/Volvo	330-3097				
921030002	GMC/Volvo	359-5990				
925172R91	Navistar		382-8028			
925173R91	Navistar		382-8028			
92794	GMC/Volvo	460-6005				
93333R91	Navistar		382-8017			
9339S	National		382-8036	308-0836	383-0136	383-0236
940010001	GMC/Volvo		382-8064	308-0864	383-0164	383-0264
940010002	GMC/Volvo	320-2099				
940010002	Western Star	320-2099				
940010003	GMC/Volvo		392-9062			
940010004	GMC/Volvo	320-2036				
940010004	Western Star	320-2036				
940010005	GMC/Volvo	320-2137				
940010005	Western Star	320-2137				
940010006	GMC/Volvo		372-7097	307-0743	373-0143	373-0243
940010007	GMC/Volvo		392-9053			
940010010	GMC/Volvo		382-8036	308-0836	383-0136	383-0236
940010011	GMC/Volvo		392-9087	309-0970		
940010013	GMC/Volvo		392-9087	309-0970		
940010013	Western Star	320-2162				
940010014	GMC/Volvo		382-8036	308-0836	383-0136	383-0236
940010015	GMC/Volvo		392-9087	309-0970		
940010017	GMC/Volvo		392-9099	309-0912		
940010019	GMC/Volvo		392-9131	309-0973	393-0173	393-0273
940010021	GMC/Volvo		382-8036	308-0836	383-0136	383-0236
940010022	GMC/Volvo		392-9131	309-0973	393-0173	393-0273
940010022	Western Star		392-9131	309-0973	393-0173	393-0273
940010028	GMC/Volvo		392-9131	309-0973	393-0173	393-0273
940010029	GMC/Volvo		382-8036	308-0836	383-0136	383-0236
940010030	GMC/Volvo		392-9131	309-0973	393-0173	393-0273
940010034	GMC/Volvo		392-9131	309-0973	393-0173	393-0273
940010038	GMC/Volvo		382-8064	308-0864	383-0164	383-0264
940010039	GMC/Volvo		382-8036	308-0836	383-0136	383-0236
940010040	GMC/Volvo		392-9131	309-0973	393-0173	393-0273
940013401	GMC/Volvo	310-1048				
940013406	GMC/Volvo	320-2110				
940013406	Western Star	320-2110				
940013409	GMC/Volvo		372-7097	307-0743	373-0143	373-0243
940013410	GMC/Volvo		372-7097	307-0743	373-0143	373-0243

- When using HM516449A, use 392-9130 set.
- Use 0912 w/ 5.687 bore only; Use 0915 w/ 5.50 bore only.
- Obsolete set, components still available.
- Order kit # 383-8139 for Voyager® and 383-8239 for Discover®.

(Continued Next Page)

Shaded numbers indicate obsolete part numbers, refer to Engineering Changes for more information.

Cross Reference

Information contained in this section is furnished as a guide.
Verify specific application elsewhere in this catalog when possible.

Competitive Part No.	Competitor's Name	STEMCO Misc Products	STEMCO Std/ Grit Guard®	STEMCO Guardian®	STEMCO Voyager®	STEMCO Discover®
940013412	Western Star		372-7097	307-0743	373-0143	373-0243
940013602	GMC/Volvo		392-9081	309-0960		
940013604	GMC/Volvo		382-8036	308-0836	383-0136	383-0236
940013606	GMC/Volvo		382-8045			
940013802	GMC/Volvo	320-2109				
940013804	GMC/Volvo	320-2110				
940013902	Western Star		382-8064	308-0864	383-0164	383-0264
940015001	Western Star		382-8036	308-0836	383-0136	383-0236
940040001	GMC/Volvo	310-1089				
940040001	Western Star	310-1089				
940040002	Western Star	310-1103				
940040003	GMC/Volvo	310-1095				
940040004	Western Star	310-1036				
940040007	GMC/Volvo	315-1502				
940040007	Western Star	315-1502				
940043401	Western Star	310-1048				
940043802	GMC/Volvo	315-1504				
94RU150	Mack	359-5990				
94RU19309	Mack	330-3024				
94RU262	Mack	330-3025				
94RU263	Mack	330-3009/3067				
94RU263P2	Mack	330-3097				
94RU263P3	Mack	330-3122				
94RU264	Mack	330-3046				
94RU265	Mack	330-3008				
94RU266	Mack	330-3031				
94RU267	Mack	330-3046				
94RU278	Mack	330-3012				
95357	Eaton		392-9099	309-0912/0915		
9584	National		392-9035	309-0935		
966446R91	Navistar	460-6001				
968191R92	Navistar	343-4036				
971118R1	Navistar					
972401R91	Navistar		392-9099	309-0912/0915		
972424R91	Navistar	460-6012				
974526R91	Navistar		392-9131	309-0973	393-0173	393-0273
974644R1	Navistar		392-9021			
974644R1	Navistar		392-9046			
974644R91	Navistar		392-9021			
974644R91	Navistar		392-9046			
982259R91	Navistar		392-9001			
983006R91	Navistar		392-9095	309-0961		
983570R1	Navistar		392-9131	309-0973	393-0173	393-0273
992481C91	Navistar		382-8066	308-0866	383-0166	
992484C91	Navistar		382-8056	308-0856	383-0156	
992485C91	Navistar		382-8056	308-0856	383-0156	
A11244C393	Meritor	310-1095				
A1205A1925	Meritor	460-6004				
A1205B1250	Meritor	320-2110				
A1205B1926	Meritor	460-6011				
A1205B2264	Meritor		382-8036	308-0836	383-0136	383-0236
A1205B574	Meritor		392-9057	309-0957		
A1205C1381	Meritor	320-2105				
A1205C1719	Meritor		382-8071			
A1205C1875	Meritor		372-7098	307-0713	373-0113	373-0213
A1205C1875	Meritor		392-9032			

- When using HM516449A, use 392-9130 set.
- Use 0912 w/ 5.687 bore only; Use 0915 w/ 5.50 bore only.
- Obsolete set, components still available.
- Order kit # 383-8139 for Voyager® and 383-8239 for Discover®.

(Continued Next Page)

Shaded numbers indicate obsolete part numbers, refer to Engineering Changes for more information.

Cross Reference

Information contained in this section is furnished as a guide.
Verify specific application elsewhere in this catalog when possible.

Competitive Part No.	Competitor's Name	STEMCO Misc Products	STEMCO Std/ Grit Guard®	STEMCO Guardian®	STEMCO Voyager®	STEMCO Discover®
A1205C1927 A1205C2343	Meritor Meritor	460-6007	372-7097	307-0743	373-0143	373-0243
A1205D1070 A1205D2526 A1205D2578	Meritor Meritor Meritor	320-2137	392-9099 382-8064	309-0912 308-0864	393-0112 383-0164	393-0212 383-0264
A1205E1071 A1205E1253 A1205E1799	Meritor Meritor Meritor	320-2036	392-9057 372-7098	309-0957 307-0713	373-0113	373-0213
A1205E2475 A1205F136 A1205F2554	Meritor Meritor Meritor		382-8036 382-8001 382-8066	308-0836 308-0866	383-0136 383-0101 383-0166	383-0236
A1205G1515 A1205G2191 A1205G2503	Meritor Meritor Meritor		382-8063 372-7097 392-9099	308-0863 307-0743 309-0912	373-0143 393-0112	373-0243 393-0212
A1205G631 A1205G735 A1205H1100	Meritor Meritor Meritor	320-2061	382-8036 392-9038	308-0836	383-0136	383-0236
A1205H762 A1205J1934 A1205J2194	Meritor Meritor Meritor	460-6005	382-8028 392-9131	309-0973	393-0173	393-0273
A1205J2350 A1205J2428 A1205J634	Meritor Meritor Meritor	460-6011	392-9132 392-9095	309-0960 309-0961		
A1205J998 A1205K1285 A1205K2013	Meritor Meritor Meritor	460-6001 320-2106	382-8001		383-0101	
A1205K2351 A1205K999 A1205L1338	Meritor Meritor Meritor		372-7099 372-7097 382-8036	307-0723 307-0743 308-0836	373-0123 373-0143 383-0136	373-0223 373-0243 383-0236
A1205L1546 A1205L1598 A1205L2352	Meritor Meritor Meritor		392-9034 372-7097 392-9131	307-0743 309-0973	393-0134 373-0143 393-0173	373-0243 393-0273
A1205L714 A1205M1339 A1205M1625	Meritor Meritor Meritor	460-6003	382-8064 392-9033	308-0864		
A1205M897 A1205N1912 A1205N898	Meritor Meritor Meritor		372-7098 382-8036 372-7095	307-0713 308-0836 307-0744	373-0113 383-0136 373-0144	383-0236
A1205P1108 A1205P1212 A1205P1888	Meritor Meritor Meritor		382-8064 372-7097 372-7099	308-0864 307-0743 307-0723	383-0164 373-0143 373-0123	383-0264 373-0243 373-0223
A1205P276 A1205P666 A1205Q1889	Meritor Meritor Meritor		392-9038 392-9034 372-7099	307-0713	393-0134 373-0123	373-0223
A1205Q1915 A1205Q2487 A1205R1630	Meritor Meritor Meritor	460-6012	392-9131 392-9087	309-0973 309-0970	393-0173	393-0273
A1205R2410 A1205R2566 A1205S2307	Meritor Meritor Meritor		392-9131 372-7097 382-8064	309-0973 307-0743 308-0864	393-0173 373-0143 383-0164	393-0273 373-0243 383-0264
A1205S669 A1205T1502 A1205T1814	Meritor Meritor Meritor		382-8018 392-9038 392-9007			
A1205T436 A1205T670 A1205T696	Meritor Meritor Meritor		382-8029 392-9033 392-9131	309-0973	393-0173	393-0273

- When using HM516449A, use 392-9130 set.
- Use 0912 w/ 5.687 bore only; Use 0915 w/ 5.50 bore only.
- Obsolete set, components still available.
- Order kit # 383-8139 for Voyager® and 383-8239 for Discover®.

(Continued Next Page)

Shaded numbers indicate obsolete part numbers, refer to Engineering Changes for more information.

Cross Reference

Information contained in this section is furnished as a guide.
Verify specific application elsewhere in this catalog when possible.

Competitive Part No.	Competitor's Name	STEMCO Misc Products	STEMCO Std/ Grit Guard®	STEMCO Guardian®	STEMCO Voyager®	STEMCO Discover®
A1205T774	Meritor		392-9053			
A1205U1061	Meritor		392-9131	309-0973	393-0173	393-0273
A1205U1659	Meritor	320-2099				
A1205U1711	Meritor	320-2133				
A1205U1737	Meritor	460-6006				
A1205U2101	Meritor		392-9131	309-0973	393-0173	393-0273
A1205U2205	Meritor		372-7062			
A1205U2491	Meritor		382-8036	308-0836	383-0136	383-0236
A1205U697	Meritor		392-9087	309-0970		
A1205V1192	Meritor	320-2086				
A1205V2102	Meritor		382-8044			
A1205V2180	Meritor		392-9131	309-0973	393-0173	393-0273
A1205V2492	Meritor		392-9131	309-0973	393-0173	393-0273
A1205W1349	Meritor		392-9099	309-0912/0915		
A1205W1375	Meritor		382-8036	308-0836	383-0136	383-0236
A1205W1557	Meritor		392-9035	309-0935		
A1205W1557	Meritor		392-9036			
A1205X1662	Meritor		372-7097	307-0743	373-0143	373-0243
A1205X2702	Meritor		372-7097	307-0743	373-0143	373-0243
A1205X700	Meritor		392-9001			
A1205Y1559	Meritor		372-7018			
A1205Y1559	Meritor		392-9018			
A1205Y1715	Meritor		382-8044			
A1205Y1975	Meritor		372-7099	307-0723	373-0123	373-0223
A1205Y727	Meritor	460-6006				
A1205Z1638	Meritor		382-8045			
A1205Z1742	Meritor	320-2104				
A1205Z1820	Meritor		392-9053			
A1205Z2470	Meritor		392-9099	309-0912/0915		
A1205Z364	Meritor		382-8001			
A1205Z780	Meritor	382-8064	308-0864			
A1244C393	Meritor	310-1095				
A1244V1556	Meritor	310-1093				
A-1227-A-105	Meritor	448-4836				
A-1227-S-331	Meritor	449-4973				
A1805E369	Meritor		382-8017			
A1805S615	Meritor		392-9094	309-0903	393-0103	393-0203
A1805U723	Meritor		382-8017			
A1805V542	Meritor		392-9131	309-0973	393-0173	393-0273
A1805W725	Meritor		372-7018			
A1805W725	Meritor		392-9018			
A205F1032	Meritor		392-9033			
A205F1043	Meritor		392-9033			
A2208N820	Meritor	330-3097				
A3262A1353	Meritor	343-4176				
A3262C133	Meritor	343-4009				
A3262D264	Meritor	343-4249				
A3262F214	Meritor	343-4049				
A3262G1177	Meritor	343-4095				
A3262G215	Meritor	343-4024				
A3262H1048	Meritor	347-4009				
A3262H398	Meritor	343-4009				
A3262J1180	Meritor	343-4195				
A3262J166	Meritor	343-4080				
A3262M1183	Meritor	341-4009				
A3262Q277	Meritor	343-4065				

- When using HM516449A, use 392-9130 set.
- Use 0912 w/ 5.687 bore only; Use 0915 w/ 5.50 bore only.
- Obsolete set, components still available.
- Order kit # 383-8139 for Voyager® and 383-8239 for Discover®.

(Continued Next Page)

Shaded numbers indicate obsolete part numbers, refer to Engineering Changes for more information.

Cross Reference

Information contained in this section is furnished as a guide.
Verify specific application elsewhere in this catalog when possible.

Competitive Part No.	Competitor's Name	STEMCO Misc Products	STEMCO Std/ Grit Guard®	STEMCO Guardian®	STEMCO Voyager®	STEMCO Discover®
A3262Q407	Meritor	343-4075				
A3262T1216	Meritor	343-4024				
A545634	Fruehauf		372-7003			
ACA5207	Fruehauf		372-7099	307-0723	373-0123	373-0223
ACA52071	Fruehauf		372-7099	307-0723	373-0123	373-0223
ACE55171	Fruehauf		372-7099	307-0723	373-0123	373-0223
ACE-8510-001	Fruehauf	447-4723				
ACF006562	Fruehauf		372-7099	307-0723	373-0123	373-0223
ACF6562	Fruehauf		372-7099	307-0723	373-0123	373-0223
AR10	National	310-1041				
AR12	National	310-1038				
AR2	National	310-1022				
AR20	National	310-1095				
AR4	National	310-1051				
AR5	National	310-1050				
AR6	National	310-1032				
AX12-1500	Axilok	448-4836				
AX12-3250	Axilok	449-4973				
AX12-3480	Axilok	447-4723				
AX12-3500	Axilok	447-4724				
AX16-2625	Axilok	447-4743				
AX18-1500	Axilok	448-4837				
AXA0043	Fruehauf		372-7099	307-0723	373-0123	373-0223
B370131BGO	National		382-8056	308-0856	383-0156	
B6J1175A	Ford		392-9038			
B6Q1175A	Ford		392-9035	309-0935		
C3TA1190A	Ford		382-8005			
C3TZ1190A	Ford		382-8005			
C3TZ1190C	Ford		382-8018			
C5TA1190B	Ford		382-8064	308-0864	383-0164	383-0264
C5TA1190D	Ford		382-8027			
C5TZ1190B	Ford		382-8064	308-0864	383-0164	383-0264
C5TZ1190D	Ford		382-8027			
C9HA1190A	Ford		382-8044			
C9HA1190B	Ford		382-8045			
C9HS1131A	Ford	343-4092				
C9HZ1175A	Ford		392-9096	309-0965		
C9HZ1175B	Ford		392-9088	309-0964		
C9HZ1190A	Ford		382-8044			
C9HZ1190B	Ford		382-8045			
DOHA1131T	Ford	343-4028				
DOHA1131U	Ford	343-4024				
DOHA1153M	Ford	330-3012				
DOHA1153R	Ford	330-3024				
DOHA1153S	Ford	330-3040				
DOHA1153T	Ford	330-3028				
DOHA1190S	Ford	320-2105				
DOHA3B304C	Ford	310-1008				
DOHZ1131A	Ford	343-4065				
DOHZ1131B	Ford	343-4186				
DOHZ1131C	Ford	343-4024				
DOHZ1131F	Ford	343-4092				
DOHZ1131G	Ford	343-4028				
DOHZ1131K	Ford	343-4049				
DOHZ1153A	Ford	330-3040				
DOHZ1153B	Ford	330-3028				

- 1 When using HM516449A, use 392-9130 set.
- 2 Use 0912 w/ 5.687 bore only; Use 0915 w/ 5.50 bore only.
- 3 Obsolete set, components still available.
- 4 Order kit # 383-8139 for Voyager® and 383-8239 for Discover®.

(Continued Next Page)

Shaded numbers indicate obsolete part numbers, refer to Engineering Changes for more information.

Cross Reference

Information contained in this section is furnished as a guide.
Verify specific application elsewhere in this catalog when possible.

Competitive Part No.	Competitor's Name	STEMCO Misc Products	STEMCO Std/ Grit Guard®	STEMCO Guardian®	STEMCO Voyager®	STEMCO Discover®
D0HZ1153C	Ford	330-3024				
D0HZ1153D	Ford	330-3009				
D0HZ1153G	Ford	330-3012				
D0HZ1153J	Ford	330-3040				
D0HZ1153K	Ford	330-3028				
D0HZ1173A	Ford	310-1064				
D0HZ1175A	Ford		392-9038			
D0HZ1175B	Ford		392-9035	309-0935		
D0HZ1175C	Ford		392-9057	309-0957		
D0HZ1175D	Ford		392-9099	309-0912, 309-0915 ☒		
D0HZ1175E	Ford		392-9096	309-0965		
D0HZ1175F	Ford		392-9088	309-0964		
D0HZ1190A	Ford		382-8044			
D0HZ1190B	Ford		382-8036	308-0836	383-0136	383-0236
D0HZ1190C	Ford		382-8045			
D0HZ1A131A	Ford	359-5990				
D0TZ1175A	Ford		392-9038			
D0TZ1175B	Ford		392-9035	309-0935		
D0TZ1175C	Ford		392-9018			
D0TZ1175D	Ford		392-9099	309-0912, 309-0915 ☒		
D0TZ1175E	Ford		392-9057	309-0957		
D1HA1131EA	Ford	343-4124				
D1HA1131FA	Ford	343-4186				
D1HA1131KA	Ford	343-4249				
D1HA1190AA	Ford		382-8036	308-0836	383-0136	383-0236
D1HA1190BA	Ford		382-8045			
D1HA1190DA	Ford		382-8028			
D1HS1175BA	Ford		392-9096	309-0965		
D1HS1175CA	Ford		392-9095	309-0961		
D1HS1190AA	Ford		382-8063	308-0863		
D1HZ1190A	Ford		382-8036	308-0836	383-0136	383-0236
D1HZ1190B	Ford		382-8045			
D2HA4813AA	Ford	460-6007				
D3HS1175BA	Ford	320-2102				
D3TA1190B1A	Ford		382-8063	308-0863		
D5H-3104A	Ford	448-4837				
D5HA1175AA	Ford	320-2106				
D5HZ1175A	Ford		392-9131	309-0973	393-0173	393-0273
D5HZ1190A	Ford		382-8063	308-0863		
D5HZ1190B	Ford		382-8036	308-0836	383-0136	383-0236
D5HZ1190C	Ford		382-8064	308-0864	383-0164	383-0264
D5HZ1190D	Ford		382-8064	308-0864	383-0164	383-0264
D5HZ1190E	Ford		382-8063	308-0863		
D7HD1173AA	Ford	310-1089				
D7HD1175AA	Ford	320-2099				
D7HT1173BA	Ford	315-1502				
D7HT1175BA	Ford	320-2001				
D7HZ1175D	Ford		392-9131	309-0973	393-0173	393-0273
D7HZ1175E	Ford		392-9001			
D7HZ4255A	Ford	449-4974				
D7HZ4245A	Ford	449-4974				
D8HT1173AA	Ford	315-1501				
DG516P	Dual Dynamics	340-4013				
DG516PS	Dual Dynamics	343-4013				
DG6F	Dual Dynamics	340-4046				
DG6F4.5	Dual Dynamics	340-4024				

☐ When using HM516449A, use 392-9130 set.

☒ Use 0912 w/ 5.687 bore only; Use 0915 w/ 5.50 bore only.

☑ Obsolete set, components still available.

☒ Order kit # 383-8139 for Voyager® and 383-8239 for Discover®.

(Continued Next Page)

Shaded numbers indicate obsolete part numbers, refer to Engineering Changes for more information.

Cross Reference

Information contained in this section is furnished as a guide.
Verify specific application elsewhere in this catalog when possible.

Competitive Part No.	Competitor's Name	STEMCO Misc Products	STEMCO Std/ Grit Guard®	STEMCO Guardian®	STEMCO Voyager®	STEMCO Discover®
DG6FL	Dual Dynamics	340-4249				
DG6P	Dual Dynamics	340-4009				
DG6PS	Dual Dynamics	343-4009				
DGP	Dual Dynamics	340-4075				
DGPS	Dual Dynamics	343-4075				
E-540	Euclid	447-4743				
E-572	Euclid	447-4743				
E-576	Euclid	448-4836				
E-1087	Euclid	448-4836				
E-2296	Euclid	448-4836				
E-2299	Euclid	448-4836				
E-2303	Euclid	449-4973				
E-2305	Euclid	449-4973				
E-2420	Euclid	447-4743				
E-2422	Euclid	447-4743				
E-2460	Euclid	447-4743				
E-2466	Euclid	449-4973				
E-2468	Euclid	449-4973				
E-2550	Euclid	447-4723				
E-4861	Euclid	448-4837				
E-6140	Euclid	449-4973				
E0HZ1A131B	Ford	359-5915				
E1HT1175BA	Ford		392-9131	309-0973	393-0173	393-0273
E1HZ1175A	Ford		392-9131	309-0973	393-0173	393-0273
E1HZ1175B	Ford		392-9131	309-0973	393-0173	393-0273
E2HT1190AA	Ford		382-8036	308-0836	383-0136	383-0236
E2HT1190BA	Ford		382-8064	308-0864	383-0164	383-0264
E2HZ1175A	Ford		392-9131	309-0973	393-0173	393-0273
E2HZ1177A	Ford		392-9131	309-0973	393-0173	393-0273
E2HZ4478A	Ford	460-6004				
E3HS1131AA	Ford	343-4009				
E3HZ1190A	Ford		382-8027			
E3HZ1190B	Ford		382-8036	308-0836	383-0136	383-0236
E3HZ1190C	Ford		382-8064	308-0864	383-0164	383-0264
E3HZ4676A	Ford	460-6002				
E4HS-4255-AA	Ford	449-4973				
E4HT1175AA	Ford		392-9131	309-0973	393-0173	393-0273
E4HZ1131A	Ford	343-4186				
E4HZ1131B	Ford	343-4186				
E4HZ1175B	Ford		392-9131	309-0973	393-0173	393-0273
E5HT1175CA	Ford		392-9099	309-0912, 309-0915	393-0173	393-0273
E5HT1175GA	Ford		392-9131	309-0973	393-0173	393-0273
E5HT1190AA	Ford		382-8063	308-0863		
E5HZ1131A	Ford	343-4046				
E5HZ1131B	Ford	343-4095				
E5HZ1190A	Ford		382-8063	308-0863		
E5TZ1177B	Ford		392-9035	309-0935		
E6HT1175AA	Ford		392-9099	309-0912, 309-0915		
E6HZ1175C	Ford		392-9099	309-0912, 309-0915		
E6HZ1175E	Ford		392-9099	309-0912, 309-0915		
E6HZ1190A	Ford		382-8063	308-0863		
E6HZ1190D	Ford		382-8036	308-0836	383-0136	
E7HT1175AA	Ford		392-9035	309-0935		
E7HT1190AA	Ford		382-8036	308-0836	383-0136	383-0236
E7HZ1175A	Ford		392-9035	309-0935		
E7HZ1190A	Ford		382-8036	308-0836	383-0136	383-0236

■ When using HM516449A, use 392-9130 set.

■ Use 0912 w/ 5.687 bore only; Use 0915 w/ 5.50 bore only.

■ Obsolete set, components still available.

■ Order kit # 383-8139 for Voyager® and 383-8239 for Discover®.

(Continued Next Page)

Shaded numbers indicate obsolete part numbers, refer to Engineering Changes for more information.

Cross Reference

Information contained in this section is furnished as a guide.
Verify specific application elsewhere in this catalog when possible.

Competitive Part No.	Competitor's Name	STEMCO Misc Products	STEMCO Std/ Grit Guard®	STEMCO Guardian®	STEMCO Voyager®	STEMCO Discover®
E8HS1175BA	Ford		392-9131	309-0973	393-0173	393-0273
E8HS1175CA	Ford		392-9131	309-0973	393-0173	393-0273
E8HS1190CA	Ford		382-8036	308-0836	383-0136	383-0236
E8TW1177BA	Ford		392-9035	309-0935		
E8TZ1175A	Ford		382-8017			
E8TZ1177B	Ford		392-9035	309-0935		
F0HT1190AA	Ford		382-8036	308-0836	383-0136	383-0236
F0TZ1177A	Ford		392-9035	309-0935		
F0TZ1177AA	Ford		392-9035	309-0935		
F-940	Eaton	447-4743				
F-941	Eaton	447-4743				
F-1529	Eaton	447-4743				
F-1530	Eaton	447-4743				
F18571	Eaton		382-8064	308-0864	383-0164	383-0264
F18572	Eaton		382-8064	308-0864	383-0164	383-0264
F1HS1175AA	Ford		392-9099	309-0912, 309-0915 ☒		
F1HT1131AA	Ford	343-4065				
F1HZ1175A	Ford		392-9099	309-0912, 309-0915 ☒		
F1HZ1175C	Ford		392-9096	309-0965		
F1HZ1175D	Ford		392-9088	309-0964		
F2HS1131AA	Ford	343-4281				
F2HS1190AA	Ford		382-8064	308-0864	383-0164	383-0264
F2HS3276AA	Ford	448-4837				
F2HT1175AA	Ford		392-9099	309-0912, 309-0915 ☒		
F2HZ1175A	Ford		392-9035	309-0935		
F2HZ1175B	Ford		392-9099	309-0912, 309-0915 ☒		
F2HZ1175C	Ford		392-9131	309-0973	393-0173	393-0273
F2TZ1175A	Ford		382-8017			
F3HS1175AA	Ford		392-9099	309-0912, 309-0915 ☒		
F3HT1131BA	Ford	343-4124				
F3HT1153AA	Ford	330-3024				
F3HT1175AA	Ford		392-9035	309-0935		
F3HZ1131C	Ford	343-4024				
F3TW1177CA	Ford		392-9035	309-0935		
F4HS1175BA	Ford		392-9131	309-0973	393-0173	393-0273
F4TZ1177B	Ford		392-9035	309-0935		
F4TZ1177C	Ford		392-9035	309-0935		
H075	National	343-4075				
H1004320	Monon	347-4009				
H1004323	Monon	320-2110				
H1004324	Monon	315-1504				
H1004325	Monon	343-4009				
H1004326	Monon	330-3009				
H1036513	Monon				373-0113	
HS1643	Mechanex/Barrier	343-4249				
HS34386	Mechanex/Barrier		392-9035	309-0935		
HS34972	Mechanex/Barrier		382-8063	308-0863		
HS34999	Mechanex/Barrier		392-9036			
HS35059	Mechanex/Barrier		382-8036	308-0836	383-0136	383-0236
HS36357	Mechanex/Barrier		382-8011			
HS36357	Mechanex/Barrier		382-8071			
HS38748	Mechanex/Barrier		392-9099	309-0912, 309-0915 ☒		
HS38779	Mechanex/Barrier		392-9099	309-0912, 309-0915 ☒		
HS40133	Mechanex/Barrier		372-7098	307-0713	373-0113	373-0213
HS40133	Mechanex/Barrier		392-9032			
HS42622	Mechanex/Barrier		372-7099	307-0723	373-0123	373-0223

☐ When using HM516449A, use 392-9130 set.

☒ Use 0912 w/ 5.687 bore only; Use 0915 w/ 5.50 bore only.

☓ Obsolete set, components still available.

☑ Order kit # 383-8139 for Voyager® and 383-8239 for Discover™.

(Continued Next Page)

Shaded numbers indicate obsolete part numbers, refer to Engineering Changes for more information.

Cross Reference

Information contained in this section is furnished as a guide.
Verify specific application elsewhere in this catalog when possible.

Competitive Part No.	Competitor's Name	STEMCO Misc Products	STEMCO Std/ Grit Guard®	STEMCO Guardian®	STEMCO Voyager®	STEMCO Discover®
HS42671	Mechanex/Barrier		392-9112	309-0904	393-0104	393-0204
HS43753	Mechanex/Barrier		372-7095	307-0744	373-0144	
HS43763	Mechanex/Barrier		382-8064	308-0864	383-0164	383-0264
HS43861	Mechanex/Barrier		392-9096	309-0965		
HS44919	Mechanex/Barrier		382-8053	308-0853	383-0153	
HS44963	Mechanex/Barrier		392-9033			
HS45097	Mechanex/Barrier		392-9094	309-0903	393-0103	393-0203
HS45102	Mechanex/Barrier		382-8056	308-0856	383-0156	
HS45158	Mechanex/Barrier		392-9088	309-0964		
HS453795	Mechanex/Barrier	330-3009				
HS455031	Mechanex/Barrier	310-1038				
HS455037	Mechanex/Barrier	310-1051				
HS456301	Mechanex/Barrier	310-1011				
HS46304	Mechanex/Barrier		372-7097	307-0743	373-0143	373-0243
HS47245	Mechanex/Barrier		392-9111			
HS47694	Mechanex/Barrier		392-9131	309-0973	393-0173	393-0173
HD47695	Mechanex/Barrier		392-9131	309-0973	393-0173	393-0173
HS48001	Mechanex/Barrier		392-9132	309-0960		
HU007A	National	340-4370				
HU008A	National	343-4006				
HU008A	National	343-4008				
HU009A	National	343-4009				
HU009A	National	343-4046				
HU009A	National	343-4098				
HU011A	National	343-4011				
HU012A	National	343-4012				
HU013A	National	343-4013				
HU014A	National	340-4014				
HU019A	National	343-4002				
HU019A	National	343-4019				
HU024A	National	343-4024				
HU028A	National	343-4028				
HU028A	National	343-4186				
HU031A	National	340-4031				
HU034A	National	343-4034				
HU036A	National	343-4025				
HU036A	National	343-4036				
HU036A	National	343-4092				
HU037A	National	343-4037				
HU039A	National	343-4198				
HU042A	National	343-4042				
HU057A	National	343-4057				
HU065A	National	343-4065				
HU066A	National	343-4066				
HU070A	National	340-4070 ¹				
HU110A	National	343-4095				
HU110A	National	343-4249				
HU149A	National	343-4049				
HU149A	National	343-4101				
K1501	Ceromet	450-4836				
K1502	Ceromet	450-4837				
K2625	Ceromet	450-4743				
K3250	Ceromet	450-4973				
K3480	Ceromet	450-4723				
KBE-10227	Fruehauf	448-4836				
L-176	Leland	447-4743				

¹ When using HM516449A, use 392-9130 set.

² Use 0912 w/ 5.687 bore only; Use 0915 w/ 5.50 bore only.

³ Obsolete set, components still available.

⁴ Order kit # 383-8139 for Voyager® and 383-8239 for Discover™.

(Continued Next Page)

Shaded numbers indicate obsolete part numbers, refer to Engineering Changes for more information.

Cross Reference

Information contained in this section is furnished as a guide.
Verify specific application elsewhere in this catalog when possible.

Competitive Part No.	Competitor's Name	STEMCO Misc Products	STEMCO Std/ Grit Guard®	STEMCO Guardian®	STEMCO Voyager®	STEMCO Discover®
L-178	Leland	447-4743				
L-195	Leland	448-4836				
L-1331	Leland	448-4836				
L-1334	Leland	448-4836				
L-1347	Leland	447-4743				
L-1349	Leland	447-4743				
L-1353	Leland	449-4973				
L-1355	Leland	449-4973				
L-1359	Leland	447-4743				
L-1361	Leland	447-4743				
L-1365	Leland	449-4973				
L-1367	Leland	449-4973				
L-1395	Leland	447-4723				
M10312-001	Spicer-Dana	447-4743				
M10HG108	Spicer-Dana	330-3009				
M10HG109	Spicer-Dana	330-3084				
M10HG111	Spicer-Dana	330-3062				
M10HG113	Spicer-Dana	330-3017				
M10HG115	Spicer-Dana	330-3056				
M10HG119	Spicer-Dana	330-3102				
M10GH124	Spicer-Dana	330-3024				
M10HG127	Spicer-Dana	330-3079				
M10HH101	Spicer-Dana	320-2109				
M10HH102	Spicer-Dana	320-2110				
M10HH1031	Spicer-Dana	320-2046				
M10HH107	Spicer-Dana		372-7097	307-0743	373-0143	373-0243
M10HH111	Spicer-Dana	320-2111				
M10HH119	Spicer-Dana	320-2041				
M10HH125	Spicer-Dana	320-2173				
M10HH128	Spicer-Dana	320-2018				
M10HH138	Spicer-Dana	320-2023				
M10HH140	Spicer-Dana	320-2051				
M10HH153	Spicer-Dana		372-7097	307-0743	373-0143	373-0243
M10HH154	Spicer-Dana		382-8036	308-0836	383-0136	383-0236
M10HH157	Spicer-Dana		372-7099	307-0723	373-0123	373-0223
M10HK124	Spicer-Dana	340/343-4009				
M10HK127	Spicer-Dana	343-4082				
M10HK128	Spicer-Dana	340-4054				
M10HK143	Spicer-Dana	340-4157				
M10HK162	Spicer-Dana	343-4075				
M10HK170	Spicer-Dana	343-4024				
M10HK174	Spicer-Dana	343-4064				
M10HK182	Spicer-Dana	340/343-4009				
M10HK184	Spicer-Dana	343-4009				
M10HK185	Spicer-Dana	343-4249				
M10HN101	Spicer-Dana	447-4743				
M10HN102	Spicer-Dana	447-4743				
M10HN128	Spicer-Dana	448-4836				
M10HN158	Spicer-Dana	447-4743				
M10HS101	Spicer-Dana	315-1504				
M10HS102	Spicer-Dana	315-1507				
M10HS103	Spicer-Dana	310-1036				
M10HS104	Spicer-Dana	310-1013				
M10HS106	Spicer-Dana	315-1506				
M10HS109	Spicer-Dana	310-1043				
M10HS112	Spicer-Dana	315-1503				

- When using HM516449A, use 392-9130 set.
- Use 0912 w/ 5.687 bore only; Use 0915 w/ 5.50 bore only.
- Obsolete set, components still available.
- Order kit # 383-8139 for Voyager® and 383-8239 for Discover™.

(Continued Next Page)

Shaded numbers indicate obsolete part numbers, refer to Engineering Changes for more information.

Cross Reference

Information contained in this section is furnished as a guide.
Verify specific application elsewhere in this catalog when possible.

Competitive Part No.	Competitor's Name	STEMCO Misc Products	STEMCO Std/ Grit Guard®	STEMCO Guardian®	STEMCO Voyager®	STEMCO Discover®
M10HS118	Spicer-Dana	310-1008				
M10HS125	Spicer-Dana	310-1047				
M-682	BWP	447-4743				
M-684	BWP	447-4743				
M-685	BWP	448-4836				
M-1524	BWP	448-4836				
M-1956	BWP	448-4836				
M-1959	BWP	448-4836				
M-1972	BWP	447-4743				
M-1974	BWP	447-4743				
M-1978	BWP	449-4973				
M-1980	BWP	449-4973				
M-1984	BWP	447-4743				
M-1986	BWP	447-4743				
M-1990	BWP	449-4973				
M-1992	BWP	449-4973				
M-1996	BWP	447-4723				
NP026773	TIMKEN	HM212011				
NP034946	TIMKEN	594A				
NP053874	TIMKEN	572				
NP174964	TIMKEN	HM518445				
NP363298	TIMKEN	592A				
NP435398	TIMKEN	3720				
NP503727	TIMKEN	HM218210				
NP593561	TIMKEN	HM518410				
NP840302	TIMKEN	580				
NP874005	TIMKEN	3782				
NP899357	TIMKEN	HM212049				
NP965350	TIMKEN	HM218248				
R20148201	Strick	340/343-4009				
R20148202	Strick	330-3009				
R20148216	Strick	320-2110				
R20148217	Strick	315-1504				
R20148218	Strick	343-4195				
R20148219	Strick	330-3118				
R20148220	Strick	347-4009				
R20148222	Strick		372-7097	307-0743	373-0143	373-0243
R20148223-4	Strick		372-7099	307-0723	373-0123	373-0223
R20148225	Strick	343-4075				
R20148227	Strick	340/343-4009				
R20148501	Strick	640-0001				
SS46842	Victor		372-7098	307-0713	373-0113	373-0213
SS46842-1	Victor		372-7098	307-0713	373-0113	373-0213
SS46847	Victor		372-7095	307-0744	373-0144	
SS47889	Victor		392-9096	309-0965		
SS48087	Victor		372-7099	307-0723	373-0123	373-0223
SS64227-2	Victor		372-7006			
SS64227-2	Victor		382-8025			
SS64229	Victor		382-8025			
SS64231	Victor		372-7008			
SS64234-1	Victor		382-8001			
SS64236	Victor		372-7097	307-0743	373-0143	373-0243
SS64238-2	Victor		392-9062			
SS64238-3	Victor		392-9062			
SS64240-1	Victor		372-7015			
SS64240-3	Victor		382-8045			

- 1 When using HM516449A, use 392-9130 set.
 2 Use 0912 w/ 5.687 bore only; Use 0915 w/ 5.50 bore only.
 3 Obsolete set, components still available.
 4 Order kit # 383-8139 for Voyager® and 383-8239 for Discover™.

(Continued Next Page)

Shaded numbers indicate obsolete part numbers, refer to Engineering Changes for more information.

Cross Reference

Information contained in this section is furnished as a guide. Verify specific application elsewhere in this catalog when possible.

Competitive Part No.	Competitor's Name	STEMCO Misc Products	STEMCO Std/ Grit Guard®	STEMCO Guardian®	STEMCO Voyager®	STEMCO Discover®
SS64410	Victor		372-7025			
SS64412	Victor		382-8025 ☐			
SS64412-1	Victor		382-8071		383-0171	
SS64414	Victor		382-8036	308-0836	383-0136	383-0236
SS64415	Victor		382-8053	308-0853	383-0153	
SS64415-1	Victor		382-8052			
SS64429	Victor		372-7006			
SS64443	Victor		392-9095	309-0961		
SS64452	Victor		392-9094	309-0903	393-0103	393-0203
SS64456	Victor		372-7006			
SS64456	Victor		382-8025 ☐			
SS64462	Victor		382-8052			
SS64464	Victor		382-8009			
SS64471	Victor		372-7049			
SS64487	Victor		382-8019			
SS64491	Victor		382-8011			
SS64495	Victor		392-9010			
SS64495-1	Victor		382-8039		383-0139	383-0239
SS64502	Victor		382-8017			
SS64511	Victor		382-8034			
SS64517	Victor		382-8064	308-0864	383-0164	383-0264
SS64530	Victor		382-8036	308-0836	383-0136	383-0236
SS64534	Victor		382-8044			
SS64538	Victor		382-8063	308-0863		
SS64539	Victor		382-8056	308-0856	383-0156	
SS64542	Victor		392-9094	309-0903	393-0103	393-0203
SS64546	Victor		392-9087	309-0970		
SS64553	Victor		392-9096	309-0965		
SS64558	Victor		392-9035	309-0935		
SS64558-1	Victor		392-9036			
SS64561	Victor		392-9038			
SS64564	Victor		392-9038			
SS64567	Victor		392-9112	309-0904	393-0104	
SS64569	Victor		392-9089	309-0948	393-0148	
SS64571	Victor		392-9007			
SS64584	Victor		392-9099	309-0915		
SS64589	Victor		392-9057	309-0957		
SS64603	Victor		392-9131	309-0973	393-0173	393-0273
SS68001	Victor		372-7098	307-0713	373-0113	373-0213
SS68002	Victor		372-7099	307-0723	373-0123	373-0223
SS68003	Victor		372-7097	307-0743	373-0143	373-0243
SS68004	Victor		392-9132	309-0960		
SS68005	Victor		372-7024	372-7091	373-0191	
SS68006	Victor		392-9131	309-0973	393-0173	393-0273
SS68008	Victor		372-7097	307-0743	373-0143	373-0243
T11501317	Dodge		392-9057	309-0957		
T13501317	Dodge		392-9099	309-0912/0915 ☐		
TP-157	Transit	448-4836				
TP-431	Transit	448-4836				
TP-489	Transit	447-4743				
TP-490	Transit	447-4743				
TP-1572	Transit	449-4973				
TP-1943	Transit	449-4973				
TP-1970	Transit	448-4836				
TP-1973	Transit	448-4836				
TP-1977	Transit	449-4973				

- ☐ When using HM516449A, use 392-9130 set.
- ☐ Use 0912 w/ 5.687 bore only; Use 0915 w/ 5.50 bore only.
- ☐ Obsolete set, components still available.
- ☐ Order kit # 383-8139 for Voyager® and 383-8239 for Discover™.

(Continued Next Page)

Shaded numbers indicate obsolete part numbers, refer to Engineering Changes for more information.

Cross Reference

Information contained in this section is furnished as a guide.
Verify specific application elsewhere in this catalog when possible.

Competitive Part No.	Competitor's Name	STEMCO Misc Products	STEMCO Std/ Grit Guard®	STEMCO Guardian®	STEMCO Voyager®	STEMCO Discover®
TP-1978	Transit	449-4973				
TP-1988	Transit	447-4743				
TP-1989	Transit	447-4743				
TP-1997	Transit	447-4743				
TP-1999	Transit	447-4743				
UH0389EO UZ208EO	NOK	429-0005				
UZ0255EO	NOK	460-6012				
UZ0301EO	NOK		372-7098	307-0713	373-0113	373-0213
UZ0302EO	NOK		372-7099	307-0723	373-0123	373-0223
UZ0303EO	NOK		372-7097	307-0743	373-0143	373-0243
UZ0304EO	NOK		392-9131	309-0973	393-0173	393-0273
UZ0305EO	NOK		382-8036	308-0836	383-0136	383-0236
UZ0306EO	NOK		392-9099	309-0912	393-0112	393-0212
UZ0307EO	NOK		392-9088	309-0964		
UZ0308EO	NOK		392-9081	309-0960		
V10895522	GMC/Volvo			308-0870		
V8027329	GMC/Volvo	343-4095				
V8027330	GMC/Volvo		382-8064	308-0864	383-0164	383-0264
W03HH101	Dana		382-8064	308-0864	383-0164	383-0264
W03HH102	Dana		382-8036	308-0836	383-0136	383-0236
W03HK100	Dana	343-4249				
X-115	Eaton	448-4836				
Z1026AC	Eaton	310-1038				
Z1026AD	Eaton	310-1041				
Z1026L	Eaton	310-1050				
Z1026R	Eaton	310-1011				
Z1026T	Eaton		392-9112	309-0604	393-0104	393-0204
Z1026U	Eaton		392-9088	309-0964		

1 When using HM516449A, use 392-9130 set.

2 Use 0912 w/ 5.687 bore only; Use 0915 w/ 5.50 bore only.

3 Obsolete set, components still available.

4 Order kit # 383-8139 for Voyager® and 383-8239 for Discover™.

(Continued Next Page)

Shaded numbers indicate obsolete part numbers, refer to Engineering Changes for more information.

Wheel Bearing Adjustment

TMC's Recommended Wheel Bearing Adjustment Procedure for Standard Spindle Nuts

Proper wheel bearing adjustment is critical to the performance of wheel seals and other related wheel end products. For that reason, we are proud to be a part of TMC's Wheel End Task Force.

We are happy to bring these standards to you in the form of this technical guide. Working together, in this way, STEMCO helps keep your rigs rolling.

The following seven step bearing adjustment recommendation for standard spindle nuts was developed by TMC's Wheel End Task Force. It represents the combined input of manufacturers of wheel end components.

For Technical Support, call: 1-800-527-8492.

STEP 1.

Bearing Lubrication:

Lubricate the wheel bearing with clean lubricant of the same type used in the axle sump or hub assembly.

STEP 2.

Initial Adjusting Nut Torque:

Tighten the adjusting nut to a torque of 200 ft-lbs, while rotating the wheel.

STEP 3.

Initial Back Off:

Back the adjusting nut off one full turn.

STEP 4.

Re-Torque Adjustment:

Re-Torque adjusting nut to 50 ft-lbs while rotating the wheel.

STEP 5.

Final Back Off:

AXLE TYPE	THREADS PER INCH	FINAL BACK OFF
STEER (Single Nut)	12	1/6 Turn*
	18	1/4 Turn*
STEER (Double Nut)	14	1/2 Turn
	18	1/2 Turn
DRIVE	12	1/4 Turn
	16	1/4 Turn
TRAILER	12	1/4 Turn
	16	1/4 Turn

**Install cotter pin to lock axle nut in position.*

STEP 6.

Jam Nut Torque:

AXLE TYPE	NUT SIZE	TORQUE SPECIFICATIONS
STEER (Double Nut)	Less Than 2 5/8"	200-300 ft-lbs
	2 5/8" And Over	300-400 ft-lbs
DRIVE	Dowel Type Washer	300-400 ft-lbs
	Tang Type Washer	200-275 ft-lbs
TRAILER	Less Than 2 5/8"	200-300 ft-lbs
	2 5/8" And Over	300-400 ft-lbs

STEP 7.

Acceptable End Play:

Refer to page 21 of the STEMCO TQM Catalog for measuring endplay.

Wheel Bearing Adjustment

BEARING ADJUSTMENT

Pro-Torq® Installation Procedure for Hubs with Manually Adjusted Wheel Bearings

PRO-TORQ
ADVANCED AXLE SPINDLE NUTS

IMPORTANT

Pro-Torq® Installation Procedure for PreSet® or LMS® Hubs:

Pro-Torq® spindle nuts may be used with PreSet® or LMS® hub assemblies.

When used with these systems, it is important to follow the hub manufacturers' product specific installation instructions. For PreSet® and LMS® hub assemblies, torque the Pro-Torq® spindle nut to a minimum of 250 ft. lbs. Engage the keeper. If the keeper can not be engaged, advance the spindle nut until it can be engaged. **DO NOT BACK OFF THE SPINDLE NUT.**

WARNING

Failure to follow this instruction could cause the wheel to come off and cause bodily injury. The PRO-TORQ® Spindle Nut is sold as an assembly with the keeper in place. DO NOT attempt to place the nut on the spindle or tighten or loosen the nut on the spindle while the keeper is locked inside the nut. Doing so may deform the keeper and allow the nut to unthread during operation. DO NOT bend or manipulate keyway tang in any way. Doing so may cause the tang to break off in service. Failure to back off the nut will cause the bearings to run hot and be damaged.

STEP 1. Remove The Keeper From The Nut:

Use a screwdriver to carefully pry the keeper arm from the undercut groove on each side until the keeper is released.



STEP 2. Seat the Bearing:

With hub or hub/drum only:

Using a torque wrench:

- 1 (A) Tighten the nut to 200 ft-lbs.
Spin the wheel at least one full rotation.
- (B) Tighten the nut to 200 ft-lbs.
Spin the wheel at least one full rotation.
- (C) Tighten the nut to 200 ft-lbs.
- 2 Back off until loose.

With hub/drum/wheels:

Using a torque wrench:

- 1 Tighten the nut to 200 ft-lbs while the wheel is rotating.
- 2 Back the nut off until it is loose.



STEP 3. Adjust The Bearing:

With hub or hub/drum only:

Using a torque wrench:

- 1 (A) Tighten the nut to 100 ft-lbs.
Spin the wheel at least one full rotation.
- (B) Tighten the nut to 100 ft-lbs.
Spin the wheel at least one full rotation.
- (C) Tighten the nut to 100 ft-lbs.
- 2 Back the nut off one raised face mark (according to chart).

With hub/drum/wheels:

Using a torque wrench:

- 1 Tighten the nut to 100 ft-lbs while the wheel is rotating.
- 2 Back the nut off one raised face mark (according to chart).



FINAL BACKOFF	
Part Numbers	Backoff
Trailer Axle Nut 447-4723, 447-4724, 449-4973	1/8 turn
Trailer Axle Nut 447-4743	1/4 turn
Steering Spindle Nut 448-4836, 448-4838, 448-4839, 448-4863, 448-4864, 448-4865	1/4 turn
Steering Spindle Nut 448-4837, 448-4840	1/3 turn
Drive Axle Nut 449-4904, 449-4973, 449-4974, 449-4975	1/8 turn

STEP 4. Install the Keeper:

Orange side facing out

- 1 Insert the keeper tab into the undercut groove of the nut and engage the keyway tang in the axle keyway. Insert keeper tab with the orange side facing out.
- 2 Engage the mating teeth.
- 3 Compress and insert the keeper arms, one at a time, into the undercut groove with a screwdriver.

For Steering Spindle Nut

448-4836, 448-4839, 448-4840, 448-4863, 448-4864, and 448-4865

- 1 Align the flat of the keeper with the milled flat on the spindle and insert the keeper tab into the undercut groove of the nut. Insert keeper tab with the orange side facing out.
- 2 Engage the mating teeth.
- 3 Compress and insert the keeper arms, one at a time, into the undercut groove with a screwdriver.



NOTE Recommended practice is to replace the keeper each time the Pro-Torq nut assembly is removed for maintenance purposes.

STEP 5. Inspect the Installation:

Failure to follow this instruction could cause the wheel to come off and cause bodily injury. Make sure that the keeper tab and keeper arms are fully seated into the undercut groove. Inspect keyway tang to insure it does not contact the bottom of the keyway. If contact exists, immediately notify your PRO-TORQ® representative.

This procedure will consistently produce a bearing setting of .001" to .003" end play.



STEP 6. Acceptable End Play:

The dial indicator should be attached to the hub or brake drum with its magnetic base. Adjust the dial indicator so that its plunger is against the end of the spindle with its line of action approximately parallel to the axis of the spindle. Grasp the wheel or hub assembly at the 3 o'clock and 9 o'clock positions. Push and pull the wheel-end assembly in and out while oscillating the wheel approximately 45 degrees. Stop oscillating the hub so that the dial indicator tip is in the same position as it was before oscillation began. Read the bearing end-play as the total indicator movement.

*Acceptable end-play is .001"-.005". For single nut self-locking systems, consult manufacturers' specifications. STEMCO assumes no responsibility for other manufacturers' bearing warranty.



FAQS - COMMON CAUSES AND SOLUTIONS

- Q. Is there a problem with the keeper hitting the bottom of the keyway or the flat of the spindle?**
- A. If contact exists, contact STEMCO Customer Service @ 1-800-527-8492.**
- Q. Is a washer required between the Pro-Torq® Nut and the outer bearing?**
- A. The bearing contact surface is hardened, therefore a washer is not required. One exception is a Ford 12,000# SIFCO steer axle.**
- Q. What if the teeth in the Pro-Torq® Nut do not match-up with the keeper after the final adjustment?**
- A. By very slightly loosening the nut, the teeth will engage the keeper.**
- Q. Why does my keeper have paddles?**
- A. A design improvement to help install the keeper correctly every time. More specific bearing adjustment procedures with standard adjustment nuts are addressed beginning on Page 48.**

Guardian®/Guardian®HP Installation

STEP 1

Remove all burrs from the hub bore and spindle. Thoroughly clean the entire wheel cavity. Apply a thin layer of No. 2 sealant to the O.D. of the spindle shoulder. Place the seal assembly on the spindle so the words "OIL BEARING SIDE" are exposed to the oil. **WARNING: DO NOT INSTALL THE SEAL INTO THE HUB BORE.**



STEP 2

Using the recommended STEMCO Universal Axle Tool, drive the seal assembly on until the tool bottoms against the shoulder. Make sure the ring is flush with the axle shoulder. Ensure seal fully contacts the wear ring flange. Wipe away any excess sealant.



STEP 3

Dip the inner bearing in oil and place on the spindle. Note: The O.D. of the seal must be coated with a thin coat of lubricant. **NOTE: When using grease, pre-pack the inner bearing before placement into the hub.**

STEP 4

With the wheel mounted on a wheel dolly, carefully push the wheel onto the spindle until it contacts the seal. Dip the outer bearing in oil and place it on the spindle. **NOTE: When using grease, pre-pack the outer bearing before placement into the hub.** Tighten the inner spindle nut hand tight and remove the wheel dolly.



STEP 5

Tighten the inner nut to 200 ft. lbs. Rotate the wheel several times then back off nut one full turn. Make final bearing adjustment, according to TMC recommended bearing adjustment procedure. Install the appropriate axle fastener.



STEP 6

Install the hub cap with a new gasket and fill the cavity with lubricant to the proper level. On drive axles be sure the differential oil level is high enough (manufacturer's recommended level) to ensure oil flow through the tube to the wheels. It is recommended to jack one side up and then the other until flow starts. Make certain the breather plug is clear. Recheck steers and trailers to ensure proper fill levels.

Standard/Grit Guard® Seal Installation

STEP 1

Remove all burrs and thoroughly clean the spindle. Apply a thin layer of No. 2 sealant to the O.D. of the spindle shoulder. Place the axle ring on the spindle.

STEP 2

Using the recommended STEMCO Universal Axle Tool, drive the axle ring on until the tool bottoms against the spindle shoulder. Make certain the axle ring is flush with the shoulder. Wipe away any excess sealant.



STEP 3

Remove all burrs from the hub bore and thoroughly clean the entire wheel cavity.

STEP 4

With the wheel in the horizontal position, pre-lube the inner bearing and place it into the bearing cup.



NOTE: When using grease, pre-pack the outer bearing before placement into the hub.

STEP 5

Apply a thin layer of No. 2 sealant to the O.D. of the seal and position the seal in the hub.



Using the recommended STEMCO Universal Hub Tool, held in a vertical position, drive the seal into the seal bore until it is bottomed out. Check the clearance between the bearing cone and seal (at least 1/32nd is required).

STEP 6

With the wheel mounted on a dolly, carefully align the bore with the spindle. Gently push the wheel assembly onto the spindle to the proper position. Pre-lube the outer bearing and push it into the bearing cup.



NOTE: When using grease, pre-pack the inner bearing before placement into the hub.

STEP 7

Assemble the inner nut and tighten it to 200 ft. lbs. Rotate the wheel several times then back off nut one full turn. Make final bearing adjustment, according to TMC recommended bearing adjustment procedure. Install the appropriate axle fastener.

STEP 8

Install the hub cap with the new gasket and fill the cavity with lubricant to the proper level. On drive axles be sure the differential oil is high enough (manufacturer's recommended level) to ensure oil flow through the tube to the wheels. It is recommended to jack one side up and then the other until flow starts. Make certain the breather plug is clear. Recheck steers and trailers to ensure proper fill levels.

Voyager®/Discover® Hub-Seal Installation

STEP 1

Remove all burrs from hub bore and spindle. Thoroughly clean hub cavity and spindle.

NOTE: Do not apply a sealant to the spindle shoulder. Apply a light coat of lubricant to spindle surfaces.

STEP 2

With the wheel in horizontal position, pre-lube the inner bearing and place it into the bearing cup.



NOTE: When using grease, pre-pack the inner bearing before placement into the hub.

STEP 3

Place the seal on the recommended STEMCO Installation Tool, with the correct head, so that the words "Air Side" face into the tool. Place the tool (with the seal correctly mounted in the tool head) over the hub bore. Use a heavy hammer to drive against the end of the tool. Drive seal into bore until complete bottoming is assured. Remove Tool. Apply a thin layer of lubricant on the I.D. surface of the seal.



NOTE: Do not apply lubricant to the O.D. of the seal.

STEP 4

With the wheel mounted on a dolly, carefully align the bore with the spindle. Gently push the wheel assembly onto the spindle



to the proper position. Fill the hub cavity with lubricant until it runs over the outer bearing cup. Coat the outer bearing with lubricant and place it on the spindle and into the bearing cup. **NOTE:** When using grease, pre-pack the outer bearing before placement into the hub. **NOTE:** Support the hub with the lifting device until the outer bearing and wheel-end fastener have been installed to a hand tight condition to prevent cocking of the hub/seal.

STEP 5

Assemble the inner nut and tighten it to 200 ft. lbs. Rotate the wheel several times then back off nut one full turn. Make final bearing adjustment according to TMC recommended bearing adjustment procedure. Install the appropriate axle fastener.



STEP 6

Install hub cap with new gasket, and fill cavity with the desired lubricant to the proper level. On drive axles be sure the differential oil is high enough (manufacturer's recommended level) to ensure oil flow through the tube to the wheels. It is recommended to jack one side up and then the other until flow starts. Make certain the breather plug is clear. Recheck steers and trailers to ensure proper fill levels.

Unitized Pinion Seal Installation

STEP 1

Remove yoke.



STEP 2

Remove old seal and wear ring (if applicable).



STEP 3

Remove all burrs and thoroughly clean cage bore.



NOTE: If installing the seal into a worn cage bore, apply a thin layer of No. 2 sealant to the OD of the seal before installation.

STEP 4

Align installation tool with the seal and spline as shown. Hand tighten bolt/nut.



STEP 5

Tighten until the seal flange bottoms into the cage -or- installation tool bottoms into cage (non-flange seals).

Take care not to overtighten bolt/nut.



STEP 6

Remove burrs and thoroughly clean yoke. Lube the seal ID. Install yoke as shown.



STEP 7

Refer to axle manufacturer for yoke assembly torque requirements.



Bearing Removal and Installation

Removal



STEP 1

Remove hub/wheel assembly from vehicle in accordance with recommended practices.

STEP 2

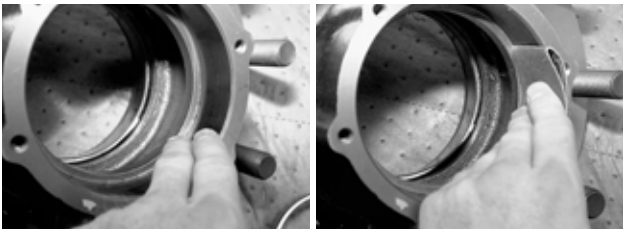
Remove inboard and outboard bearing cones and set aside for inspection.

STEP 3

Using a mild steel drift or cup driver, carefully drive out the bearing cups.

- **Caution should be used when driving bearing cups, as drifts and other tools can damage bearings.**
- **Drifts can damage hub bearing bores. Be careful not to score bores while removing cups, especially when using aluminum hubs.**

Inspection



STEP 1

Inspect the hub bearing bores and shoulders for damage. The bores should be smooth and free from scoring, burrs, indications of cup spinning, or other forms of damage. Remove any burrs or raised areas using emery cloth, a file, or other appropriate tool.

STEP 2

Measure the bearing cup bore and compare to manufacturer specifications.



STEP 3

Inspect bearing cups and cones for damage. Bearings should be free from chips, contamination, and signs of excessive wear or excessive heat. Refer to bearing damage analysis literature for identifying possible bearing issues.

STEP 4

Inspect axle spindle bearing journals for any signs of damage or excessive wear. Remove any raised areas or burrs using emery cloth, a file, or other appropriate tool.

STEP 5

Journals should be measured and compared with manufacturer specifications.

Installation



STEP 1

Thoroughly clean bearing cups and cones prior to installation.

- **Do not use compressed air to spin bearing rollers as injury may result if cage does not retain the rollers.**

STEP 2

Lightly coat the outside of bearing cups with oil.

STEP 3

Using a cup driver, carefully drive bearing cups into hub bearing bores. Be sure to drive cup firmly against cup shoulder in hub.

- **If a cup driver is not available, a mild steel drift can be used to install bearing cups.**
- **Caution should be used when driving bearing cups, as drifts and other tools can damage bearings.**
- **NEVER use a bearing cone to drive a bearing cup. This can damage the bearings and cause premature failure.**

STEP 4

Use a feeler gauge to check for gaps between cup and shoulder.

STEP 5

Inspect the bearing cups to ensure no damage occurred during installation.

STEP 6

Lubricate bearing cones according to recommended practices and proceed with installation of wheel assembly.

DataTrac[®] Pro Installation Instructions

HOW IT WORKS

DataTrac[®] Pro is an advanced mileage counter that relies on Earth's gravity for counting wheel revolutions. The DataTrac[®] Pro unit monitors its orientation to Earth's gravitational pull and uses this reference to recognize and count revolutions.

PROGRAMMING THE UNIT

Distribution or End User with a Programmer

The unit is shipped from the factory with a Revs/Mile value of zero. Dashes (- - -) on the display indicate that the unit has **NOT** been programmed. It **MUST** be programmed before it is installed on a wheel end (The DataTrac[®] Pro distributor should have a programmer or can sell you a programmer). The programmer can set the DataTrac[®] PROs:

- 1) **The Revolutions/Mile (or per Km)** - Use Stemco's catalog to determine the Revolutions/Mile for each Tire Make/Model.
- 2) **Distance Unit of Measure** - Miles or Km (Life miles only or including Trip Miles)
- 3) **Mileage Preset** - Set the mileage to match the current mileage of the vehicle the unit will be mounted to.

When programming is complete, (as indicated on the programmer screen) immediately lift the DataTrac[®] PRO up and confirm the display shows the correct Tire Revolutions (shown as "REV###" on the screen). If not, repeat the programming.

The DataTrac[®] Pro can be programmed/reprogrammed as many times as desired until there is approximately 2 miles on the unit.

INSTALLING THE UNIT

Install the DataTrac[®] PRO unit using the appropriate STEMCO bracket and hardware. The nut furnished with the unit is a locking nut and must **NOT** be torqued over 15-ft lbs.

READING THE DISPLAY

The display will turn on when the vehicle is at rest. Numbers will automatically orient to read upright. This is also indicated by the icon display, e.g. mile, km, acre. The mileage reading is always in the same direction as the icon.

In order to conserve power the display turns off at any time a vibration is detected. This means that the display will be off while the vehicle is moving. As soon as all vibration or motion stops the display will reactivate in about 5 seconds.

DISPLAY MODES

The DataTrac[®] Pro unit comes equipped with three display modes: **LIFE** and **TRIP** (if programmed), and **REV**. To toggle the display between LIFE, TRIP and REV Modes, use the palm of your hand to cover the round bubble on the face of the unit for at least 1 second, and then uncover it. If the unit is in bright sunlight, the bubble may have to be covered with your palm to block more light from reaching the sensor. **TRIP** mode is displayed with tenths resolution and is indicated by display of the **TRIP** icon (only if unit is programmed for **TRIP**).

To reset the **TRIP** display, toggle between **LIFE**, **TRIP** and **REV** Modes 5 times, quickly. Note that the unit cannot toggle faster than every 1.5 seconds. To view the revolutions of the unit simply repeat the process that is used to view trip and then a screen that shows (REV XXX) will show up. The XXX is the number of revolutions per KM or MILE that the unit is programmed for. On units without **TRIP** there are only two screens, all others have three screens (**LIFE**, **TRIP**, and **REV**). As with the **TRIP** mode the unit will return to the mileage after 10 seconds if left in the revolutions screen.

CERTIFICATIONS

This unit complies with European EMI (CE) regulations as noted on front cover by the E11 marking.

PRODUCT LIMITATIONS

It is important to note that this unit is designed to recognize vibrations and accelerations common to wheel rotation, therefore, it will not count accurately when held in a person's hand, which allows movement in any direction. Furthermore, this unit should not be used as a rotating shaft counter for machinery, unless the machine shaft rotates slower than 1250 RPM and has a slow acceleration profile similar to a wheel end. At all times the unit should rotate about an axis perpendicular to gravitational forces.

This unit contains a Lithium-Thionyl Chloride battery and should be disposed of according to local regulations. The battery contains less than 1 gram of lithium and is therefore classified as a non-hazardous product. Lithium-Thionyl Chloride batteries contain no poisonous materials and do not present environmental hazards when properly disposed of.

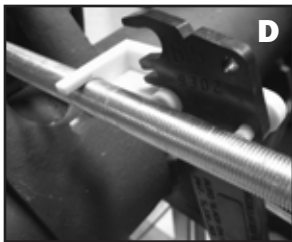
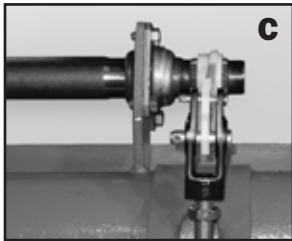
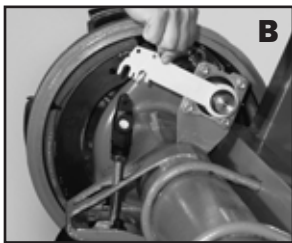
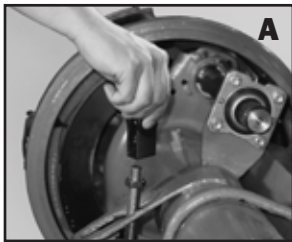


Automatic Brake Adjuster Installation Procedures

Prior to Installation

- Chock the vehicle wheels (Block all the wheels to prevent the vehicle from rolling and avoid injury)
- Check all foundation brakes. Brake adjusters cannot compensate for problems with foundation brakes. Replace any worn cam bushing, pins, rollers and brake shoes, or broken return springs.
- Fully Cage the spring brake by following the manufacturer's recommended procedures.

CAUTION: Some mechanical caging devices do not fully cage the spring brake. STEMCO Crewson recommends using air at 90 - 100 psi to fully cage the brake spring.



ABA INSTALLATION

- Remove the existing brake adjuster and clevis. Keep the existing mounting hardware. Do not remove the clevis jam nut.
- Thread the STEMCO Crewson clevis on to the push rod and install the 1/2" clevis pin into the clevis. Do not tighten jam nut. **(SEE PHOTO A.)**

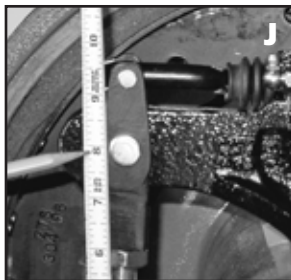
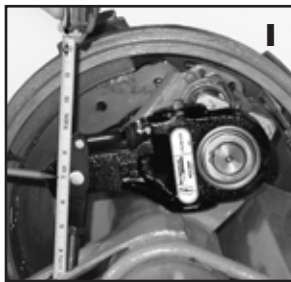
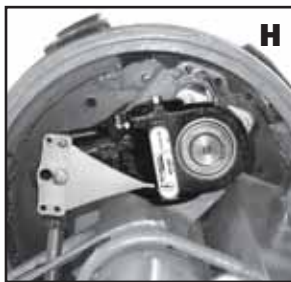
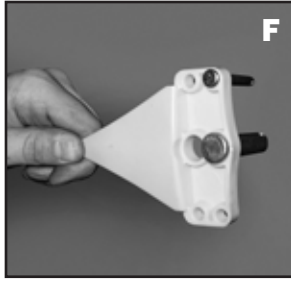
NOTE: Do not use the old clevis or a competitor's clevis. In order to guarantee proper set up, you must use the new STEMCO Crewson clevis and template provided in the kit.

- Slide the installation template over the S-cam spline, swing the template into the clevis until the appropriate slot totally engages the 1/2" clevis pin. **(SEE PHOTO B.)**
- Once the template has been swung into place, install the 1/4" clevis pin. If the 1/4" clevis pin does not slide freely into the clevis and template, remove the template from the clevis. Follow these instructions: **(SEE PHOTO C.)**
 - If the 1/4" template hole sits below the 1/4" clevis hole, rotate the clevis CW until the holes align.
 - If the 1/4" template hole sits above the 1/4" clevis hole, rotate the clevis CCW until the holes align.
 - If the push rod threads extend through the clevis more than 1/16", remove clevis and cut rod to length.
 - A minimum of 1/2" of push rod engagement in the clevis body is required. If this is not the case, install a new push rod and cut rod to length, or use a STEMCO Crewson extended clevis.
 - When installing a new chamber or pushrod, use Stemco Crewson's pushrod tool (Part # 195-1001), to accurately cut the pushrod to the correct length. **(SEE PHOTO D.)**
- Remove template and both clevis pins.

INSTALL THE ABA ONTO THE S-CAM

- Before installing the ABA, apply anti-seize on the S-cam splines. Install the ABA onto the camshaft using the original mounting hardware. Properly shim the ABA. Place other washers as needed on the end of the camshaft on the outside of the ABA. Re-attach the retaining clip. **(SEE PHOTO E.)**
- Tighten jam nut to 50 ft-lbs torque minimum.
- Use a 7/16" wrench, manually rotate the adjuster shaft CW until the ABA arm holes align with the clevis holes.

Automatic Brake Adjuster Installation Procedures



4. If your adjuster is equipped with "Auto-Check" stroke indicator, do the following:
 - A) Insert the 1/2" clevis pin into the yellow "Auto-Check" pointer hole. Be sure to use the correct set of holes in the pointer for the ABA you are installing. The clevis pin's head should face the front of "Auto-Check". (SEE PHOTO F.)
 - B) "Auto-Check" is non-handed and can be installed on either the right or left side of the ABA. "Auto-Check" is designed to face the center of the vehicle.
 - C) Now insert the 1/4" clevis pin with the "Auto-Check" pointer into the clevis and install your cotter pins.
5. If your adjuster is not equipped with "Auto-Check" simply install the pins.
6. Use a 7/16" wrench, manually rotate the adjuster CW until the brake linings contact the drum. Now back off 1/2 turn CCW to set the clearance. (SEE PHOTO G.)

WARNING: If you apply the brakes before this step, you will cause damage to the ABA.
7. Uncage the spring brake.
8. Build up the vehicle air pressure to 90-100 psi.
9. The "Auto-Check" pointer will now point to the "home" location on the housing. (SEE PHOTO H.)
 - If it does not point to the home position, remove the ABA and reinstall (see page 186 #3).
10. Measure the distance from the air chamber to the center of the 1/2" pin. Fully apply the brakes with 90-100 psi air pressure and re-measure the distance to the 1/2" pin. (SEE PHOTO I.)
11. The stroke (difference of these two measurements) must be less than those in the chart below. (SEE PHOTO J.)
12. Fully apply and release the brakes several times to check for adequate clearance to all the adjacent components.

Maintenance

The ABA should be greased every 6 months or 50,000 miles using a quality NLGI #2 Moly EP Multi Purpose grease as part of the regular equipment maintenance schedule.

STANDARD STROKE		LONG STROKE	
CHAMBER SIZE	ADJUSTER STROKE	CHAMBER SIZE	ADJUSTER STROKE
6	1-1/4 or less	16	2 or less
9	1-3/8 or less	20	2 or less
12	1-3/8 or less	24 (below 3" max stroke)	2 or less
16	1-3/4 or less	24 (3" max stroke version)	2-1/2 or less
20	1-3/4 or less	30	2-1/2 or less
24	1-3/4 or less		
30	2 or less		
36	2-1/4 or less		

WARNING

Excessive pushrod stroke or tight running brakes indicates that there is a problem with the foundation brake components, the ABA installation, or the ABA. The proper way of checking an ABA to see if it is working within specs is to measure the pushrod stroke. The only time the ABA should be manually adjusted is during installation or at reline. Constant manual adjustment of the ABA is a dangerous practice and may lead to reduced internal component life, or have other more serious consequences.



STEMCO® Standard Components **1 YEAR WARRANTY**

STEMCO warrants to Buyer that all components sold will be free from defects in material and workmanship. This warranty is limited to components installed on vehicles licensed for on-highway use under normal use and service. This warranty extends for a period of one year from the date of manufacture.

The Buyer's exclusive remedy under this warranty shall be the repair or replacement of STEMCO components, but not the cost of removal or installation. STEMCO reserves the right to require that all warranty claim components are available and/or returned for review and evaluation. STEMCO shall not be liable for any claim, whether arising from breach of contract or warranty or claims of negligence or negligent manufacture, in excess of the purchase price. In no event shall STEMCO be liable for special, incidental, indirect, or consequential, or collateral, losses or damages of any kind.

This limited warranty is in lieu of all other warranties or conditions, expressed or implied, including any implied warranty of merchantability or fitness for particular purpose. This is the only warranty offered by STEMCO and no STEMCO employee or representative is authorized to extend additional warranty terms on behalf of STEMCO.

3 YEAR WARRANTY **PLATINUM** PERFORMANCE SYSTEM™

- TRAILER - Unlimited Mileage
- TRACTOR - Limited 250,000 Mile Warranty

5 YEAR WARRANTY **PLATINUM PLUS** PERFORMANCE SYSTEM™

- TRAILER - Unlimited Mileage
- TRACTOR - Limited 250,000 Mile Warranty Platinum Performance System™ PLUS

500,000 MILE WARRANTY **HUBODOMETER®** GUARANTEED OVER-LIFE-OF-TIRE ACCURACY

The STEMCO Hubodometer® is warranted for 500,000 miles when installed in accordance with its specifications.

4 YEAR / 500,000 MILE WARRANTY



DataTrac® is warranted for 4 years / 500,000 miles when installed in accordance with its specifications.

WARRANTY

STEMCO QUALITY PRODUCTS

GRITGUARD®



**Guardian®
HP**



Voyager®



Discover®



Endeavor®



PRO-TORQ®



SENTINEL®



**HEAVY DUTY
BEARINGS**



**DataTrac®
PRO**



HUBODOMETER®



Unitized Pinion Seals



**PLATINUM
PERFORMANCE SYSTEM™**



**AERIS™
BY STEMCO**



**STEMCO
CREWSON™**
AUTOMATIC BRAKE ADJUSTER



**STEMCO
BRAKE PRODUCTS™**



A Higher Standard of Performance.™

an EnPro Industries company

STEMCO - USA
P.O. Box 1989 · Longview, TX 75606-1989
1-903-758-9981
1-800-527-8492
FAX: 1-800-874-4297

STEMCO - Canada
5650 Timberlea Blvd. Unit B
Mississauga, ON L4W 4M6
905-206-9922 · 877-232-9111
FAX: 877-244-4555

STEMCO - Australia
Unit 6 CNR Rookwood & Muir Roads
Yagoona NSW 2199
Phone: 011-61-2-8713-2502
FAX: 011-61-2-9793-2544

STEMCO, Grit Guard, Guardian HP, Voyager, Discover, Endeavor, Pro-Torq, Sentinel, DataTrac Pro, Platinum Performance System, Hubodometer, STEMCO Crewson, STEMCO Brake Products and BatRF are all trademarks of STEMCO LP. ©2012 STEMCO LP

www.stemco.com